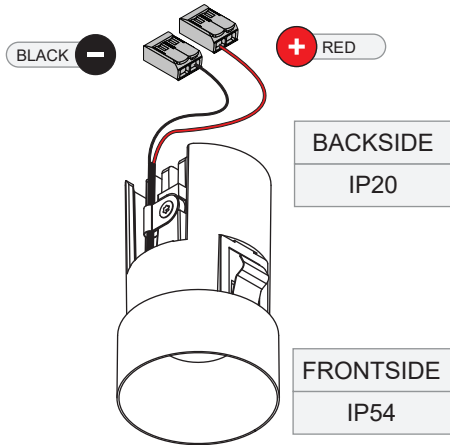


# Minude Recessed Trimless 49 1x IP54 LED Medium DE

136400XX\_136401XX

## Minude recessed trimless 49 1xLED medium GE



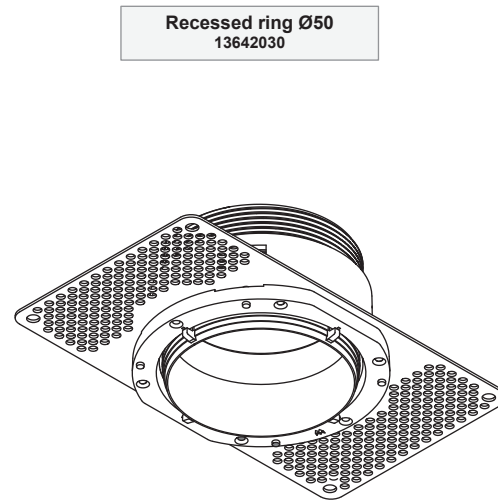
### ELECTRICAL SPECS LED-FIXTURE

Drive Current (mA)	Forward Voltage		Power (W)
	min (Vf)	max (Vf)	
350	14,8	18,0	5,7
500	15,2	18,6	8,5
⊕ RED		⊖ BLACK	

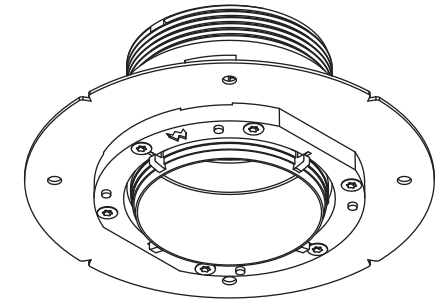
For serial connection, respect polarity!  
Not suited for connection to mains voltage.  
Combine with a Modular LED-driver.

**TURN OFF POWER DURING INSTALLATION**

## SHOULD BE USED WITH



Concrete ring Ø50 for standard concrete boxes  
13642130



Replace protective shield when broken. The luminaire shall only be used complete with its protective shield.  
Reference number: 1014378



### LIGHT SOURCE - DO NOT TOUCH LED

Touching the LED can result in permanent damage of the light source. The light source and/or driver contained in this luminaire shall only be replaced by the manufacturer or his service agent or a similar qualified person.



### PREVENTING ELECTROSTATIC DAMAGE

A discharge of static electricity may damage sensitive components. Therefore do not touch the LED nor the stripped parts of the wires with bare hands. Always be properly insulated by using ESD gloves.

### DRIVERS & ACCESSORIES

For latest version of driver matrix and available accessories check [www.supermodular.com](http://www.supermodular.com) or connect with your sales contact.

