



SLD50 HIGH

INSTALLATION INSTRUCTIONS

SLD50 high general installation manual

93590005_93590009_93590032_93590041_93590018_93590006

OPEN PROFILE

EYEBALL

ONLY TO BE INSTALLED OUTSIDE ARM'S REACH

CONNECTION

N	BLUE
L	BROWN
⊕	GREEN YELLOW
D+	RED
D-	BLACK

MOUNTING OPTIONS

SURFACE

SCREWS ARE NOT INCLUDED

WALL*

SUSPENDED*

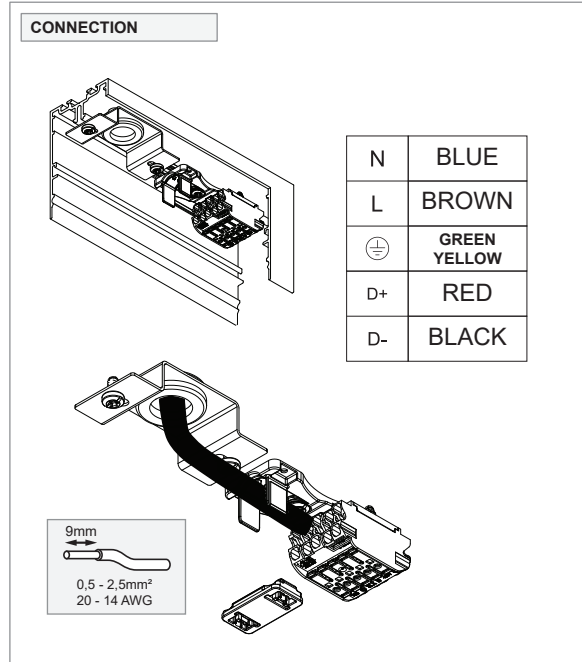
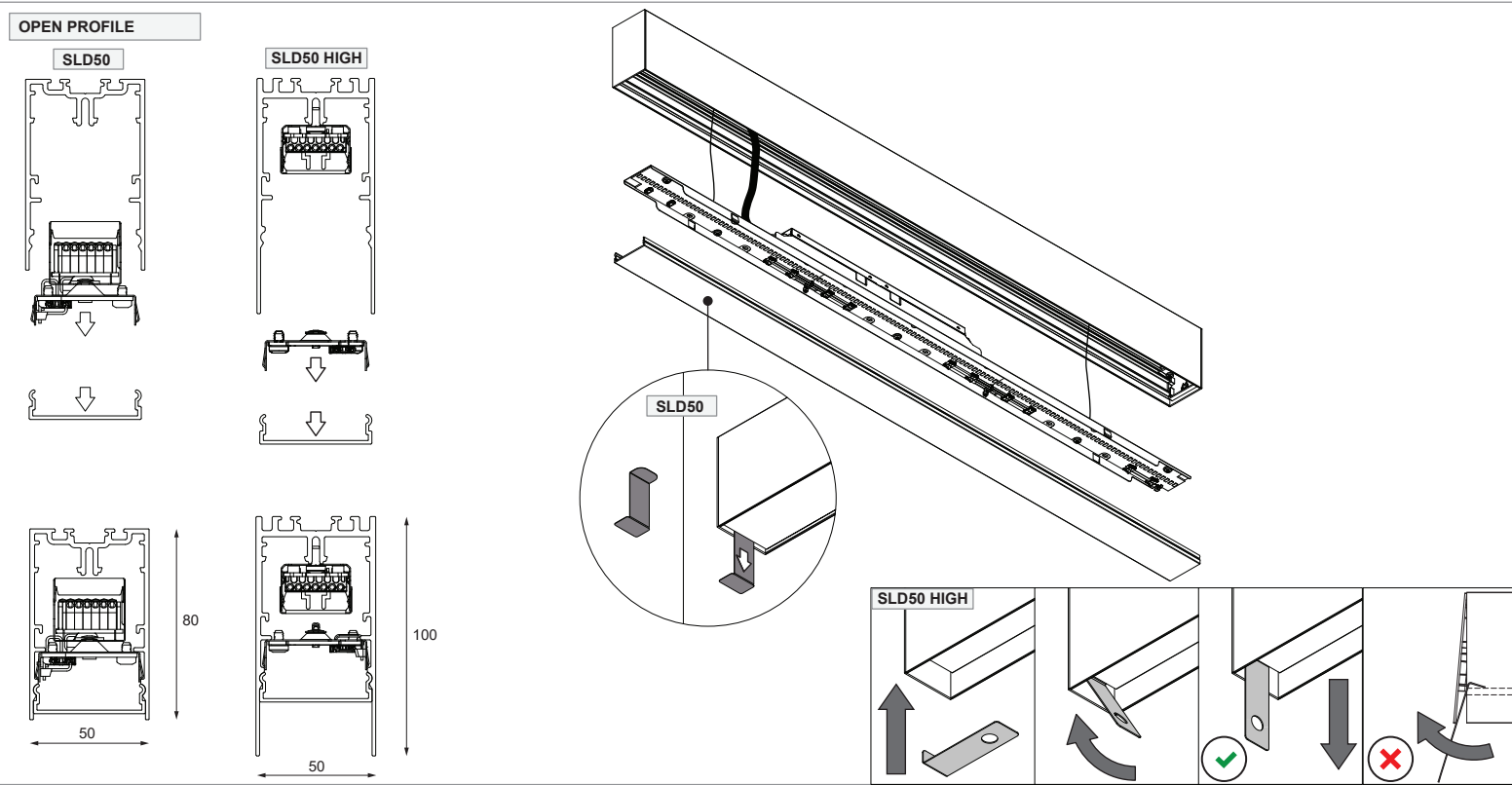
RECESSED (TRIMLESS)*

* SEE INSTRUCTION MANUALS

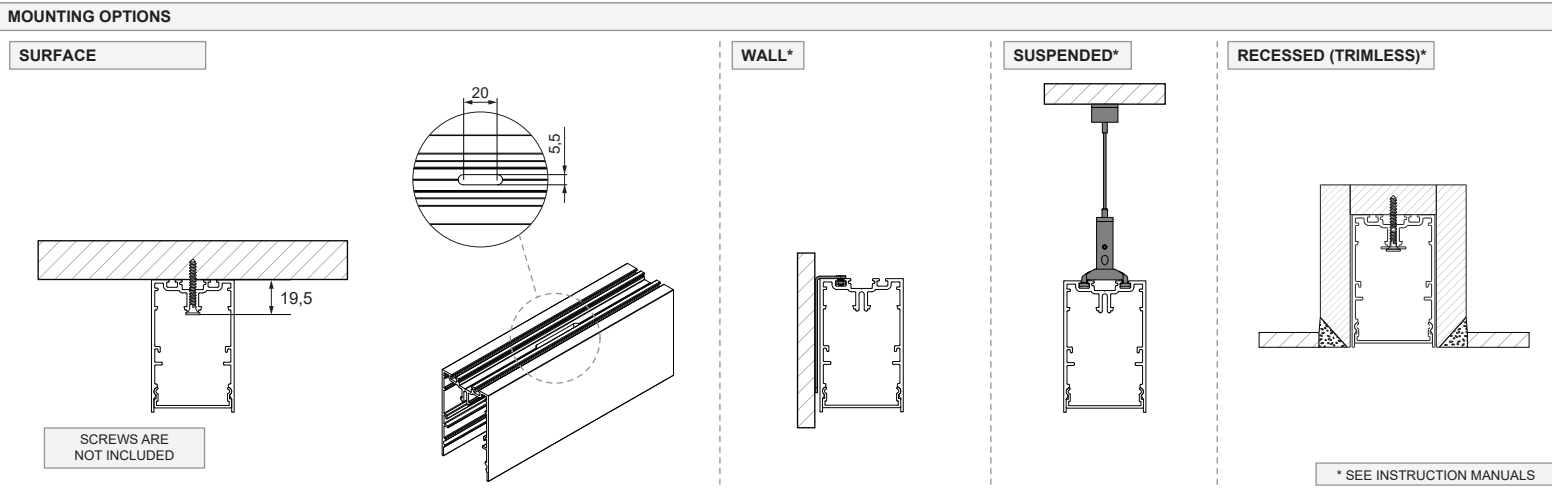
	On site conditions (e.g. heat, humidity, ...) can lead to expansion of the diffuser. Therefore onsite shortening of the diffuser can be required
	Replace protective shield when broken. The luminaire shall only be used complete with its protective shield. Reference number: SLD50 Poly In (1012155) - SLD50 Prismatic (1012157) - SLD50 Poly Out (1012157)
	LIGHT SOURCE - DO NOT TOUCH LED Touching the LED can result in permanent damage of the light source. The light source contained in this luminaire shall only be replaced by the manufacturer or his service agent or a similar qualified person.
	PREVENTING ELECTROSTATIC DAMAGE A discharge of static electricity may damage sensitive components. Therefore do not touch the LED nor the stripped parts of the wires with bare hands. Always be properly insulated by using ESD gloves.

SLD50 (HIGH) LEDLINE 2700-6500K Tunable White DALI

98564303_98564304_98564305_98564306



DALI tunable white control
 recommended use: DALI2 application controller & input device with support for colour control (Part 209, DT8, Type Tc)
 the function in installations with other devices must be tested for compliance in advance.



max QTY of drivers on MCB

MCB type	B10	B13	B16	C10	C13	C16
number of LED drivers	14	18	22	14	18	22

On site conditions (e.g. heat, humidity, ...) can lead to expansion of the diffusor. Therefore onsite shortening of the diffusor can be required

Replace protective shield when broken. The luminaire shall only be used complete with its protective shield.
 Reference number: SLD50 Poly In (1012155) - SLD50 Prismatic (1012157) - SLD50 Poly Out (1012157)

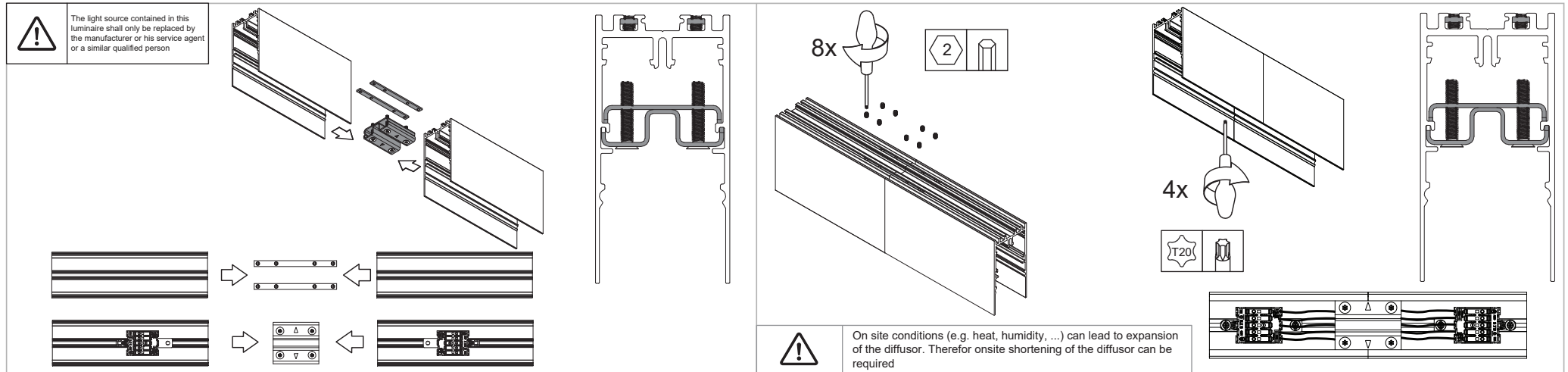
LIGHT SOURCE - DO NOT TOUCH LED
 Touching the LED can result in permanent damage of the light source. The light source contained in this luminaire shall only be replaced by the manufacturer or his service agent or a similar qualified person.

PREVENTING ELECTROSTATIC DAMAGE
 A discharge of static electricity may damage sensitive components. Therefore do not touch the LED nor the stripped parts of the wires with bare hands. Always be properly insulated by using ESD gloves.



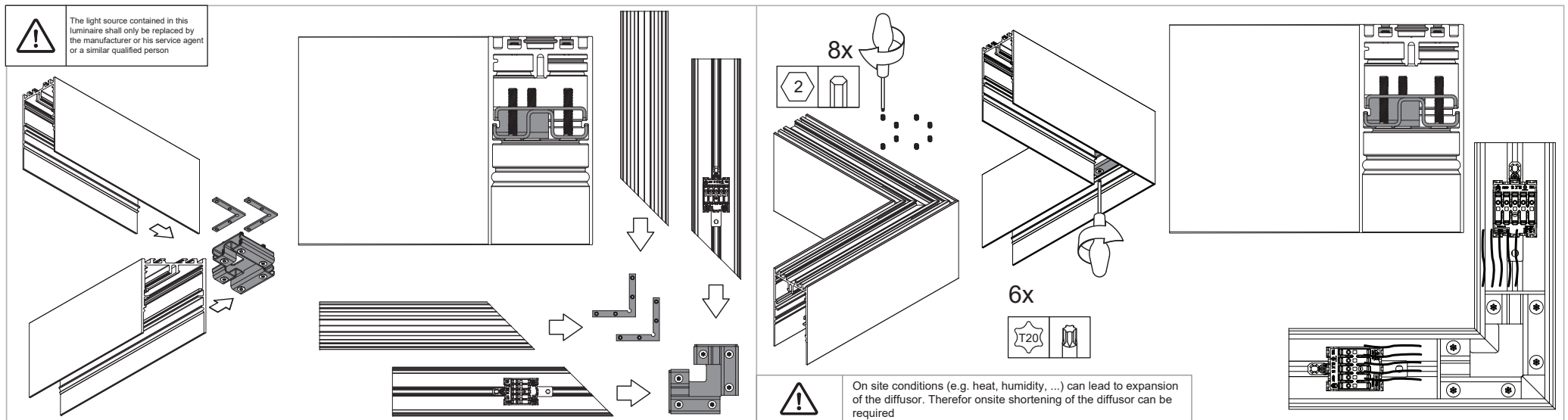
SLD50 high connection 180°

93590054_93590056



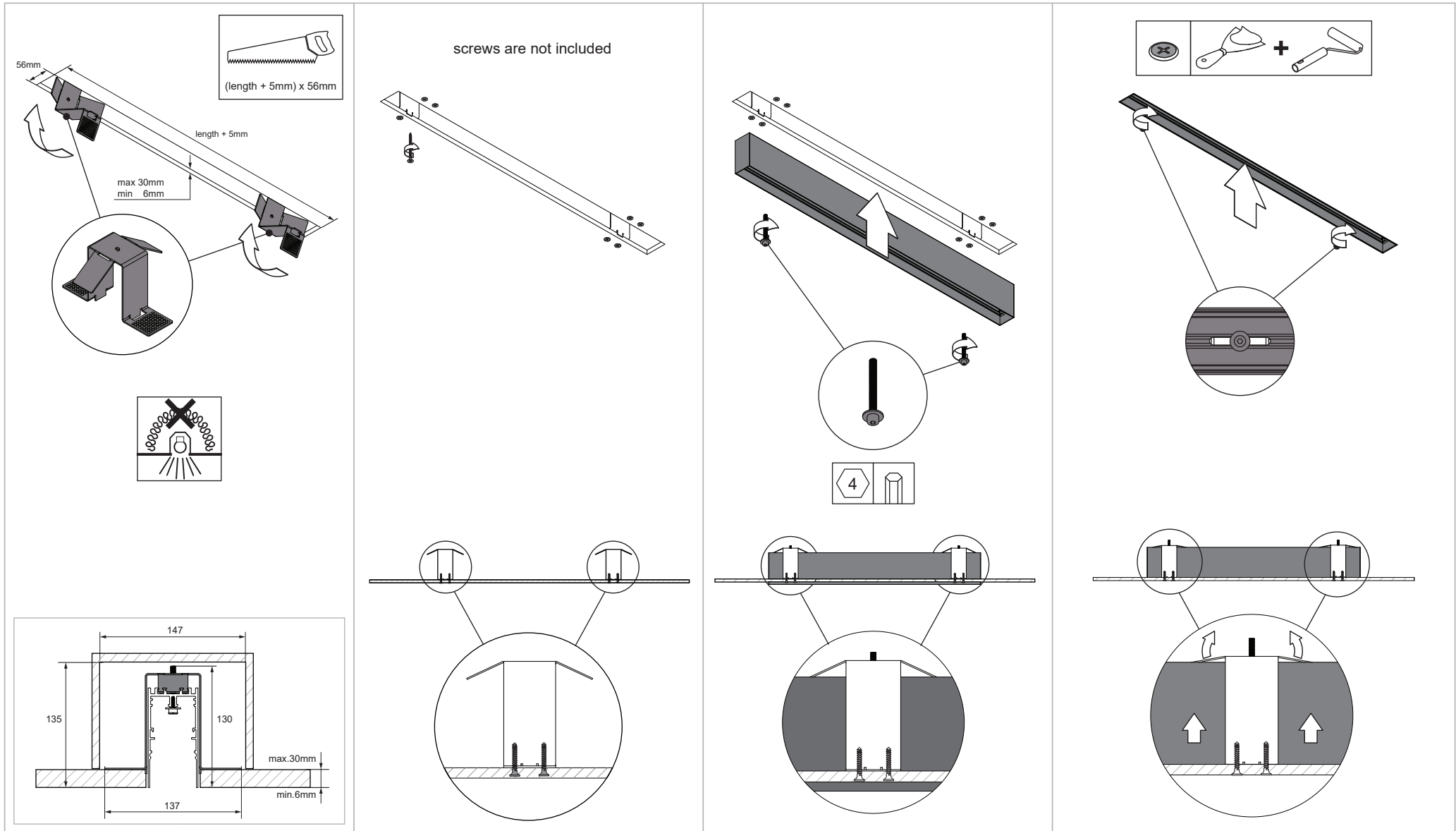
SLD50 high connection 90°

93590055_93590057



SLD50 high recessed bracket trimless

93590050



	The light source contained in this luminaire shall only be replaced by the manufacturer or his service agent or a similar qualified person								
--	--	--	--	--	--	--	--	--	--

SLD50 high flange general installation manual

93590105_93590109_93590132_93590141

OPEN PROFILE

100

67

EYEBALL

ONLY TO BE INSTALLED OUTSIDE ARM'S REACH

DO NOT TOUCH REFLECTOR

CONNECTION

N	BLUE
L	BROWN
⊕	GREEN YELLOW
D+	RED
D-	BLACK

9mm

0.5 - 2.5mm²
20 - 14 AWG

RECESSED FLANGE

SEE INSTRUCTION MANUALS

! On site conditions (e.g. heat, humidity, ...) can lead to expansion of the diffuser. Therefore onsite shortening of the diffuser can be required

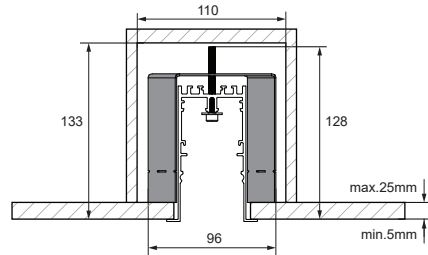
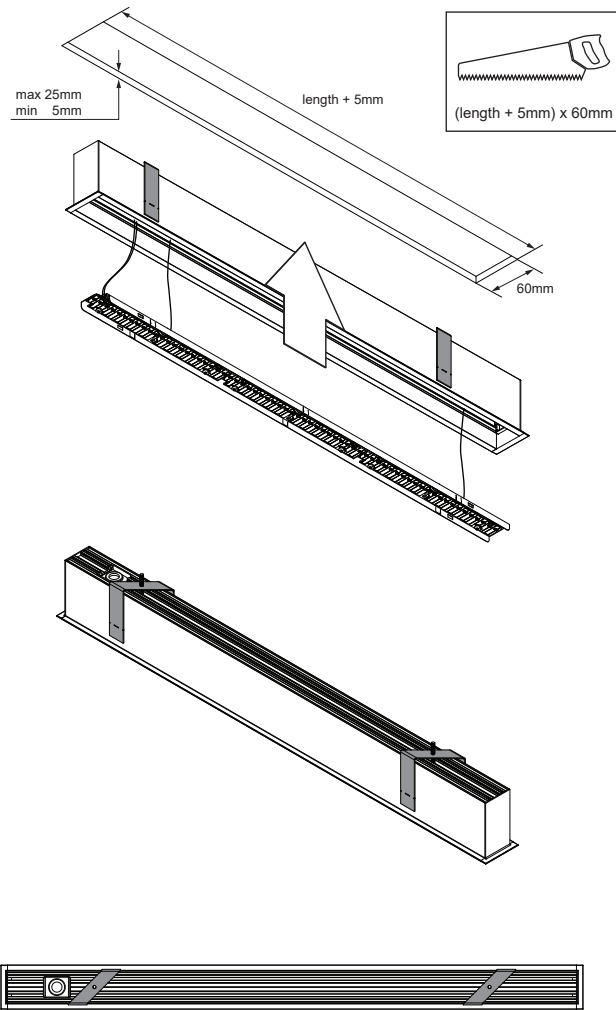
⊗ Replace protective shield when broken. The luminaire shall only be used complete with its protective shield.
Reference number: SLD50 Poly In (1012155) - SLD50 Prismatic (1012157) - SLD50 Poly Out (1012157)

⊗ **LIGHT SOURCE - DO NOT TOUCH LED**
Touching the LED can result in permanent damage of the light source. The light source contained in this luminaire shall only be replaced by the manufacturer or his service agent or a similar qualified person.

ESD **PREVENTING ELECTROSTATIC DAMAGE**
A discharge of static electricity may damage sensitive components. Therefore do not touch the LED nor the stripped parts of the wires with bare hands. Always be properly insulated by using ESD gloves.

SLD50 high recessed bracket

93590051

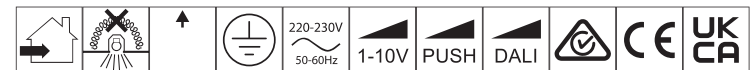
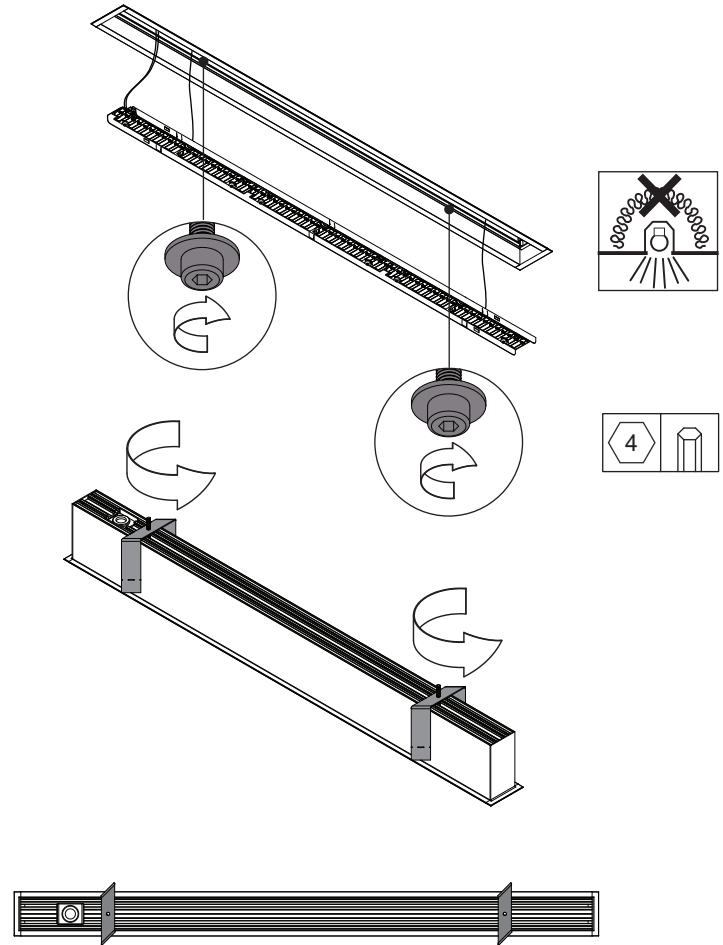


LIGHT SOURCE - DO NOT TOUCH LED

Touching the LED can result in permanent damage of the light source. The light source contained in this luminaire shall only be replaced by the manufacturer or his service agent or a similar qualified person.

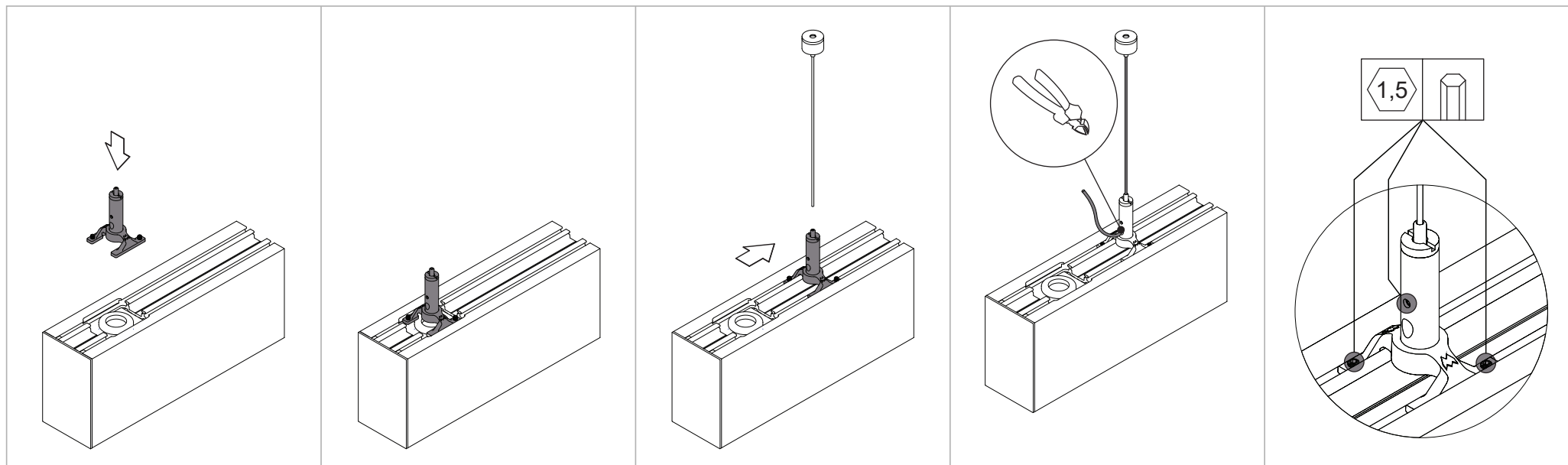
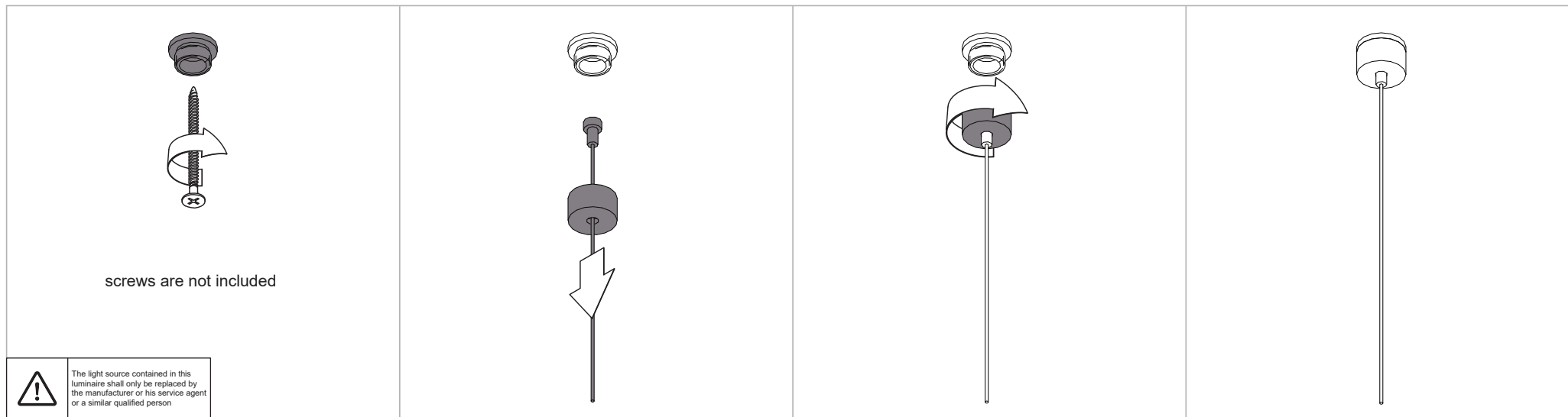


On site conditions (e.g. heat, humidity, ...) can lead to expansion of the diffuser. Therefore onsite shortening of the diffuser can be required



SLD50 suspension

93560805_93560809_93560832



SLD50 lateral wall brack

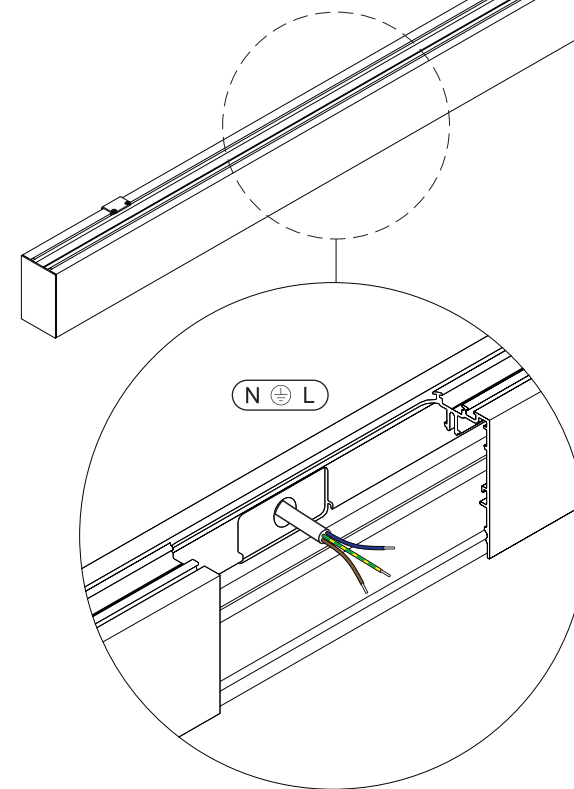
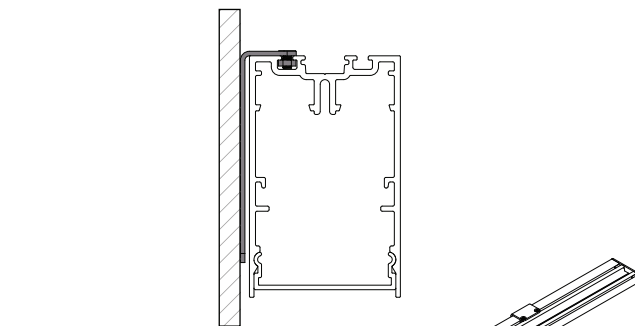
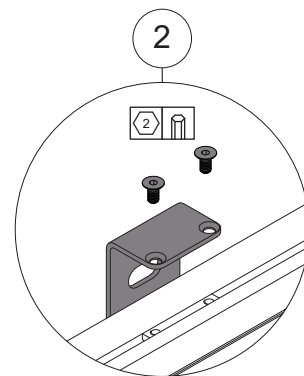
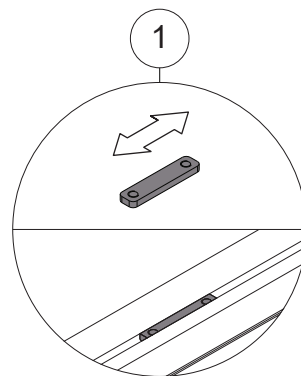
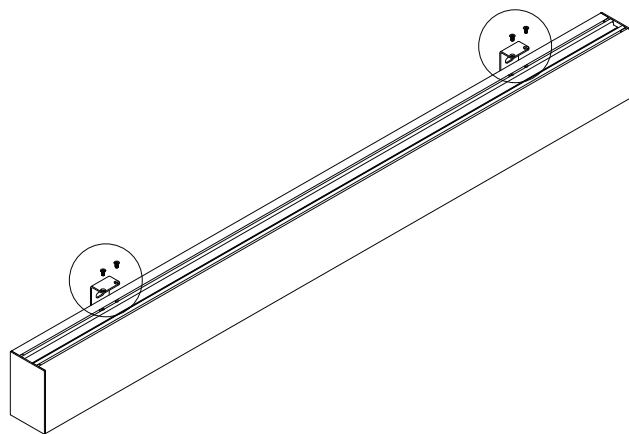
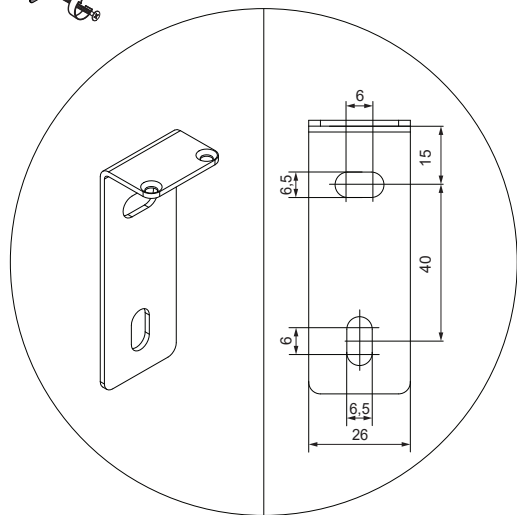
93560705_93560709_93560732



The light source contained in this luminaire shall only be replaced by the manufacturer or his service agent or a similar qualified person

screws are not included

N ⊕ L



Casambi Profile Dim Module Dali

CBU-ASD 98564307_98564308

ICONS IN APP

98564307



Modular TW

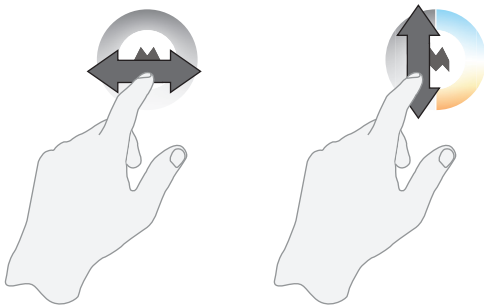
98564308



Modular DIM

slide sideways over icon of the unit or group you want to control to change light intensity
additional for 98564307: slide vertical to change CCT level

or longtap on the icon to reveal slider(s)



DESCRIPTION

CBU-ASD Dim Module (= 98564308) is a wireless control unit for LED drivers with DALI dimming interface. CBU-ASD Tuneable White Module (=98564307) is intended for use with LED drivers with Dali DT8 supporting TC color model.

CBU-ASD is controlled wirelessly with Casambi smartphone and tablet applications using Bluetooth 4.0 protocol. The Casambi app can be downloaded free of charge from Apple App Store and Google Play Store.

Devices form automatically a secure wireless mesh network so that a large number of fixtures can be controlled from any point. No external gateway model is needed. No external Dali power supply is needed.

CBU-ASD does not comply with IEC 60929 and therefore **is not designed to be connected to an existing DALI network**. The module can be used only in a closed system, i.e. as a part of a lighting system which is not connected to an external Dali network.

The CBU-ASD control unit will be connected directly to a DALI controllable LED driver. Only one LED driver (DALI driver) is connected to one CBU-ASD. Therefore, what looks like one continuous ledline, can consist of multiple drivers and show as multiple control units in the Casambi App. To control multiple CBU-ASD control units simultaneously, add them to the same network and group those units that you want to control together.

TECHNICAL DATA

Input	
Voltage range:	220-240 VAC
Frequency:	50 Hz
Max. mains current:	0,6 A
Mains Output	
Output relay:	SSR on phase line
Voltage range:	220-240 VAC
Frequency:	50 Hz
DALI Output	
Voltage range:	9-12 VDC
Maximum number of drivers connected:	1 pc
Radio transceiver	
Operating frequencies:	2,400 ... 2,480 Ghz
Maximum output power:	+4 dBm
Mechanical data	
Dimensions:	56,5 x 35,8 x 22,3 mm
Weight:	48 g
Degree of protection:	IP20 (indoor use only)
Protection class:	Built-in Class II

Compatible devices:

iPhone iOS 10 and later, iPad iOS 10 or later, Android 4.4 KitKat or later, devices produced after 2013 with full BT 4.0 support

Disposal Instructions

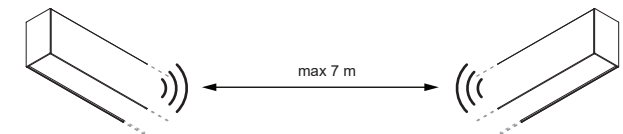
In line with EU Directive 2002/96/EC for waste electrical and electronic equipment (WEEE), this electrical product must not be disposed of as unsorted municipal waste.

Please dispose of this product by returning it to the point of sale or to your local municipal collection point for recycling.

CASAMBI

www.casambi.com

Connect fixture to a Casambi network by using the Casambi App which can be downloaded from iOS App Store or Google Play Store.



Surrounding materials, obstructions (walls, concrete, metal,...) and other wireless signals can have a negative influence on the casambi wireless signal range. Always check on site circumstances for optimal signal quality.



For more information, support and troubleshooting about the Casambi technology please visit:
<https://support.casambi.com/support/solutions>

Advised to use this device in an Evolution network

