

SLD50 NAKED

INSTALLATION INSTRUCTIONS

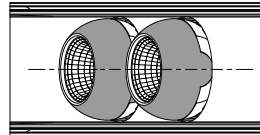
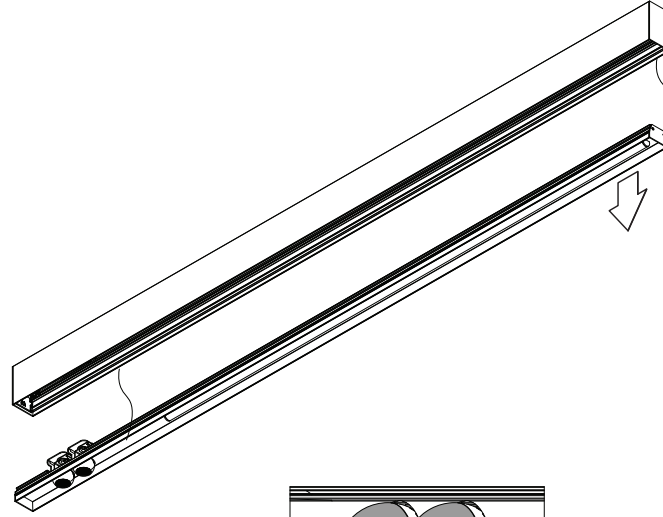
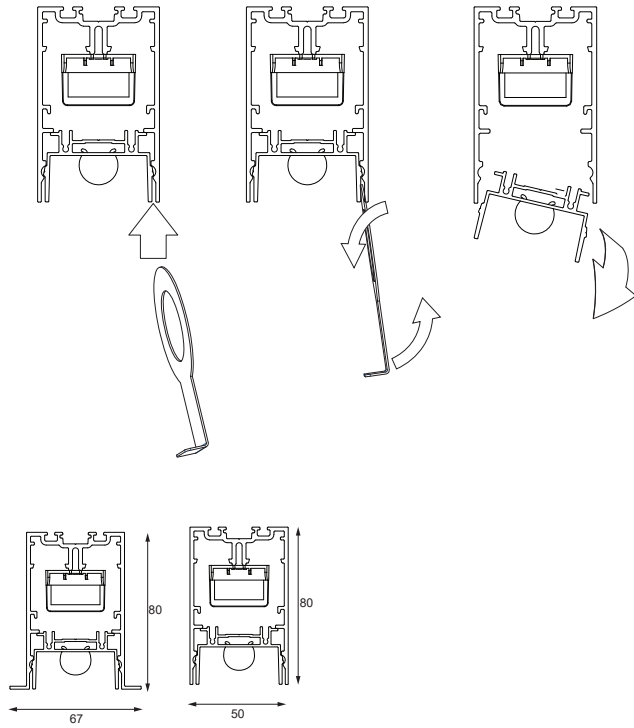


MODULAR
LIGHTING —
INSTRUMENTS

SLD50 naked general installation manual

93580009_93560032_93580041_93580046_93580018_93580006

OPEN PROFILE



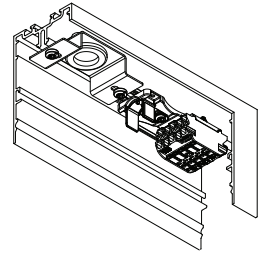
align Eyeballs before open/close profile



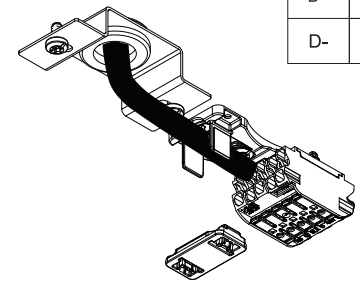
DO NOT TOUCH REFLECTOR

ONLY TO BE INSTALLED OUTSIDE ARM'S REACH

CONNECTION



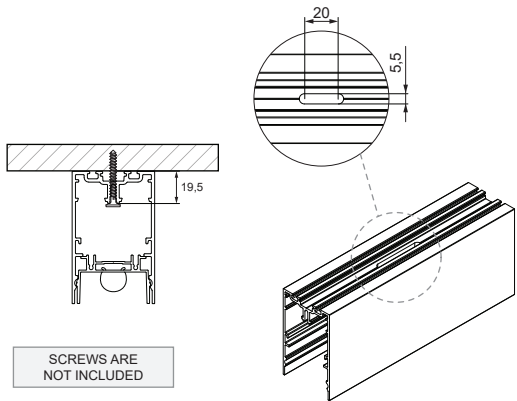
N	BLUE
L	BROWN
⊕	GREEN YELLOW
D+	RED
D-	BLACK



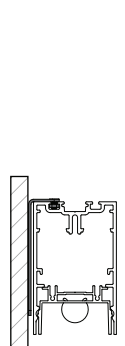
9mm
0.5 - 2.5mm²
20 - 14 AWG

MOUNTING OPTIONS

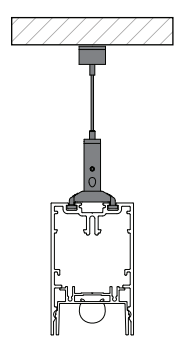
SURFACE



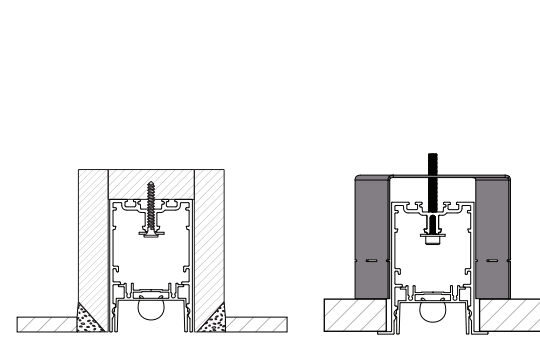
WALL*



SUSPENDED*



RECESSED (TRIMLESS)*



* SEE INSTRUCTION MANUALS



On site conditions (e.g. heat, humidity, ...) can lead to expansion of the diffusor. Therefore onsite shortening of the diffusor can be required



Replace protective shield when broken. The luminaire shall only be used complete with its protective shield.
Reference number: 1XXXXXX



LIGHT SOURCE - DO NOT TOUCH LED

Touching the LED can result in permanent damage of the light source. The light source contained in this luminaire shall only be replaced by the manufacturer or his service agent or a similar qualified person.



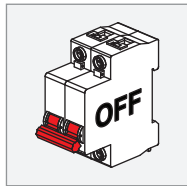
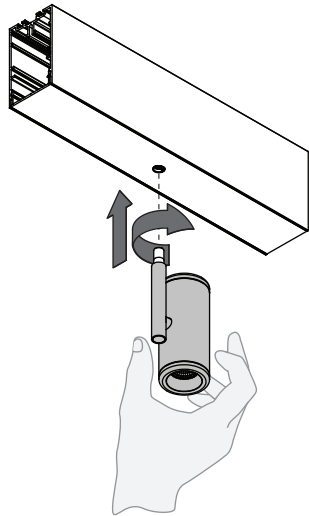
PREVENTING ELECTROSTATIC DAMAGE

A discharge of static electricity may damage sensitive components. Therefore do not touch the LED nor the stripped parts of the wires with bare hands. Always be properly insulated by using ESD gloves.

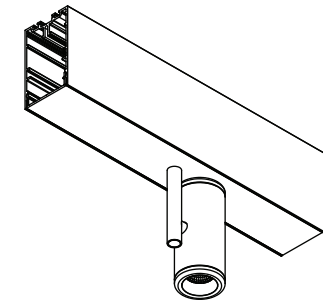
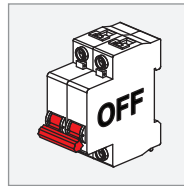
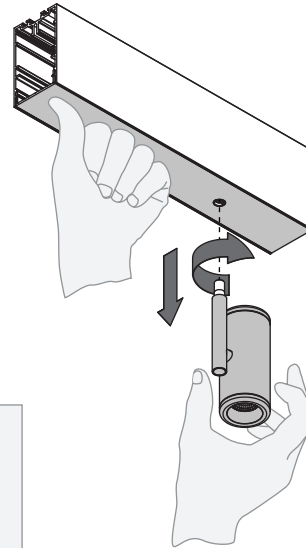
SLD50 / SLD50 high / SLD50 NAKED Modupoint LED GE for 1x Jack

93568000_93581000

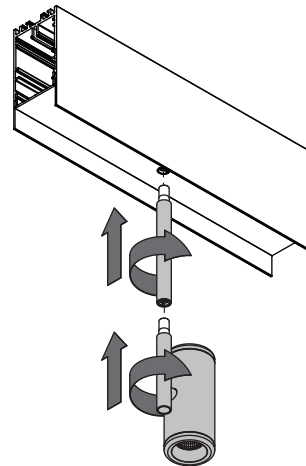
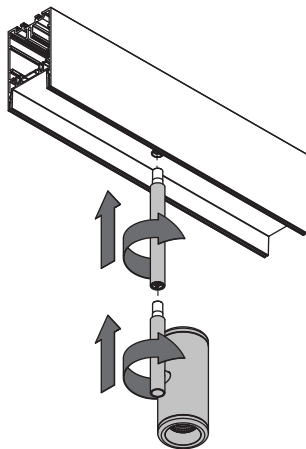
1 INSTALLATION



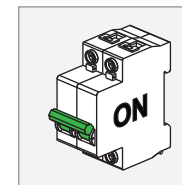
2 UNINSTALL



SLD50 NAKED & SLD50 HIGH MUST BE COMBINED WITH MODUPOINT LED STICK *



* Modupoint LED stick required
except for Marbulito jack

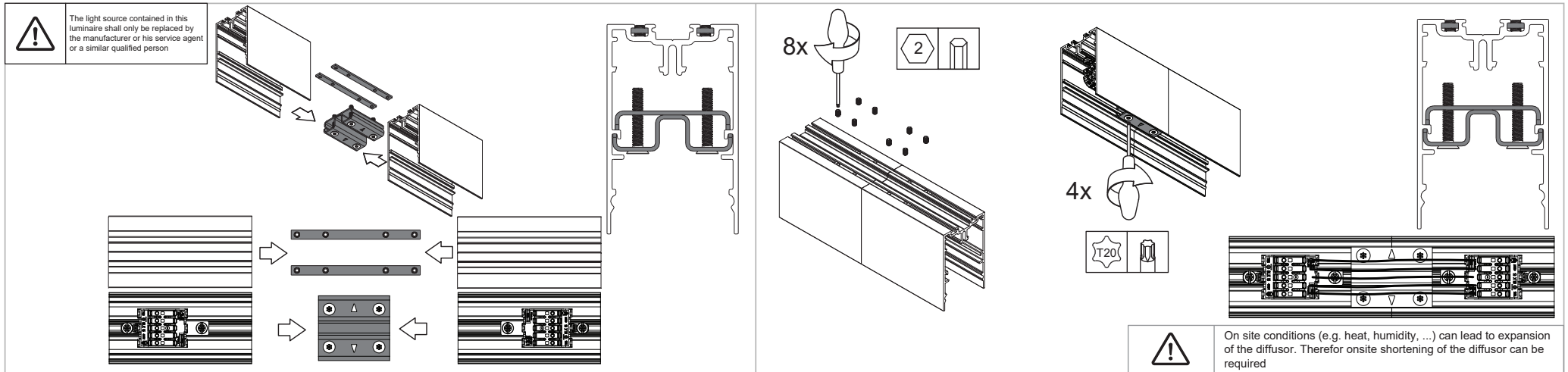


JACK FIXTURES

For jack fixtures product range check
www.supermodular.com or connect with your sales contact.

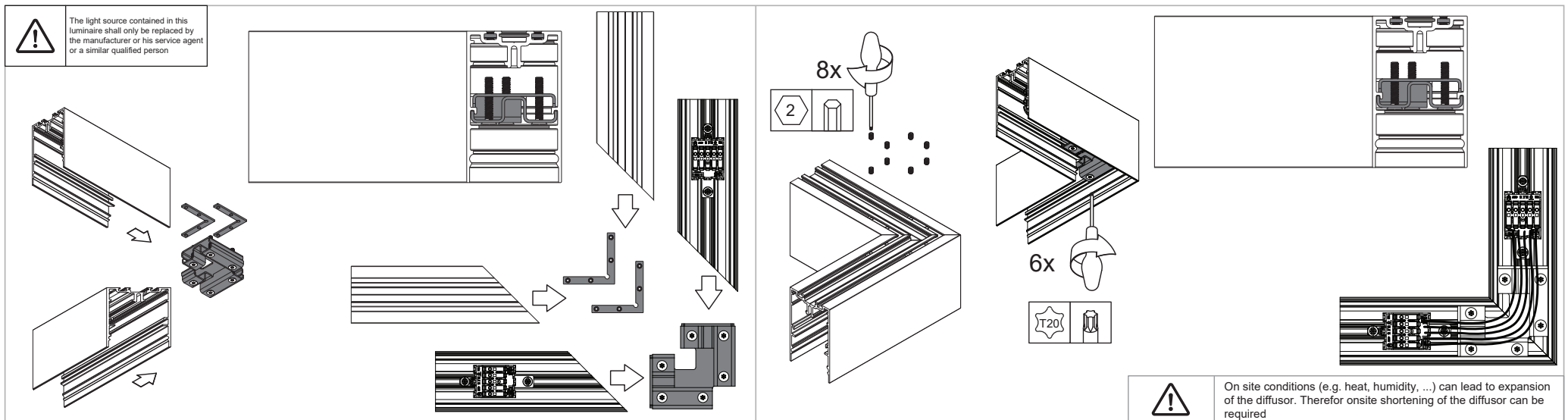
SLD50 connection 180°

93560052_93560058



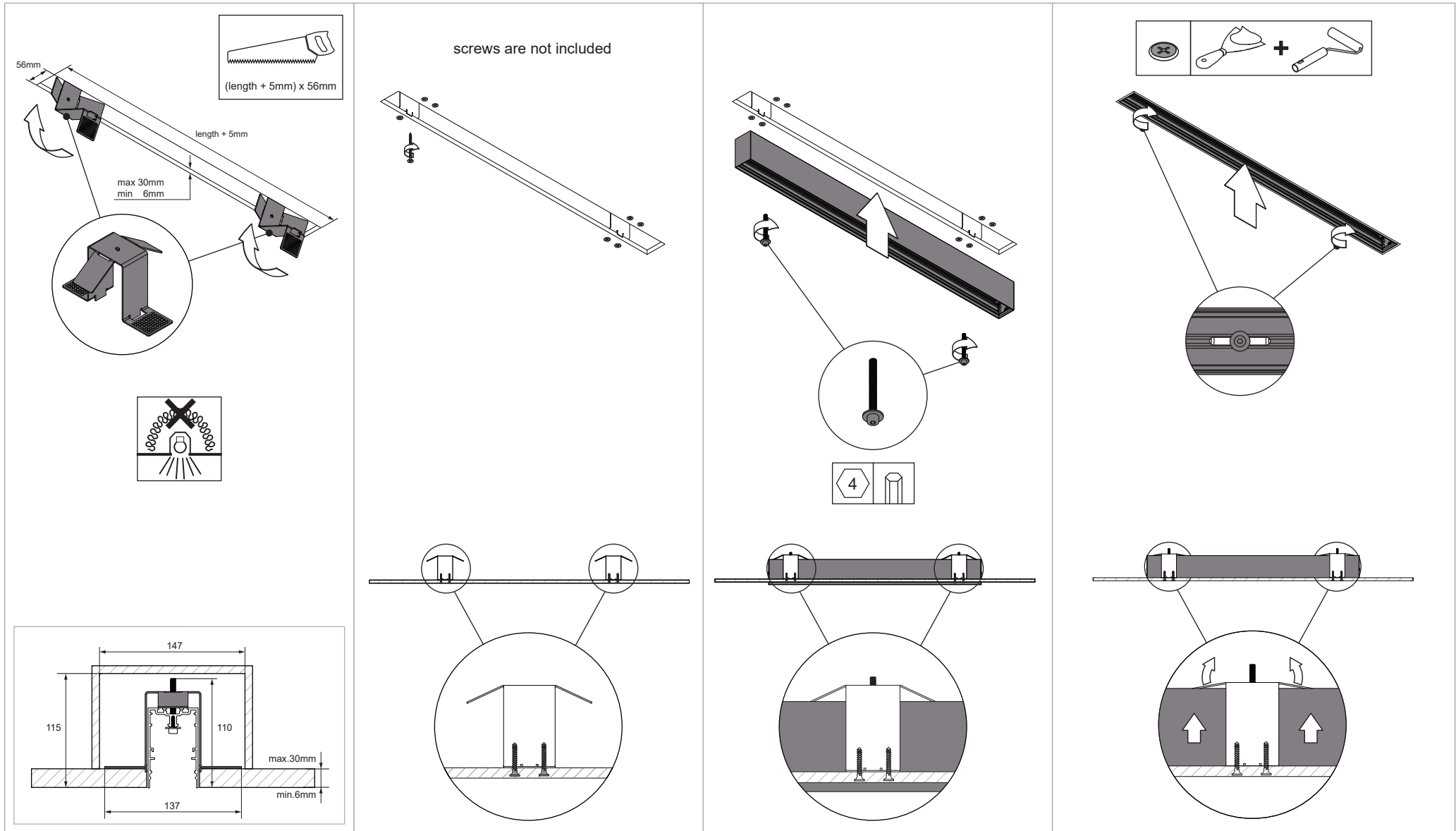
SLD50 connection 90°

93560053_93560059



SLD50 recessed bracket trimless

93560056



	The light source contained in this luminaire shall only be replaced by the manufacturer or his service agent or a similar qualified person					220-230V 50-60Hz		1-10V			
--	--	--	--	--	--	---------------------	--	-------	--	--	--

SLD50 recessed bracket

93560057

The technical drawing illustrates the SLD50 recessed bracket in three stages: 1. Preparation: A bracket is cut to length using a hand saw. Dimensions include a maximum depth of 25mm and a minimum of 5mm. The cut length is 'length + 5mm' with a width of 60mm. 2. Mounting: The bracket is secured into a ceiling with two screws. 3. Final assembly: The LED strip is inserted into the bracket. Dimensions for the ceiling cutout are 110mm width, 113mm height, and 96mm width. The LED strip itself is 108mm high and has a maximum depth of 25mm and a minimum of 5mm. A warning box states: 'LIGHT SOURCE - DO NOT TOUCH LED'. It notes that touching the LED can cause permanent damage and that the light source should only be replaced by a qualified person. It also warns that on-site conditions like heat and humidity can cause the diffuser to expand, potentially shortening its lifespan. The final assembly shows the LED strip being rotated into place and secured with a cap.

max 25mm
min 5mm

length + 5mm

(length + 5mm) x 60mm

60mm

110

113

108

max.25mm

min.5mm

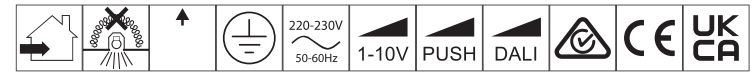
96

LIGHT SOURCE - DO NOT TOUCH LED

Touching the LED can result in permanent damage of the light source. The light source contained in this luminaire shall only be replaced by the manufacturer or his service agent or a similar qualified person.

On site conditions (e.g. heat, humidity, ...) can lead to expansion of the diffuser. Therefore onsite shortening of the diffuser can be required

4



SLD50 lateral wall brack

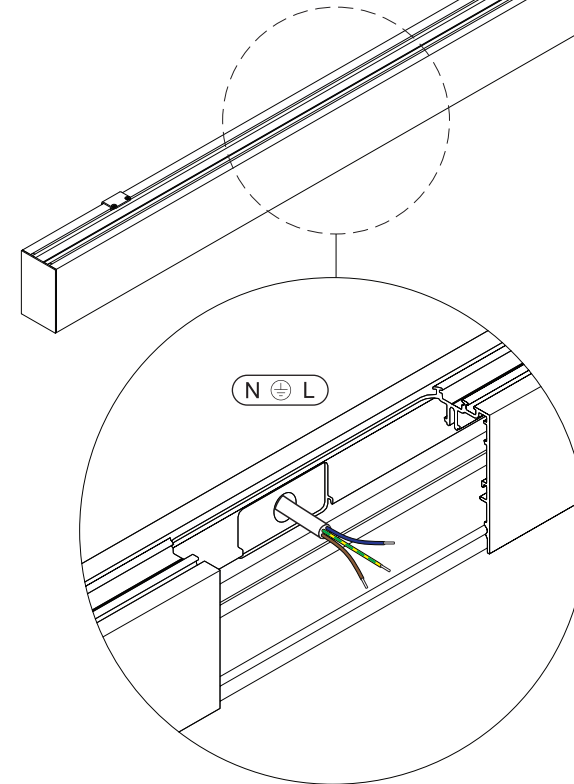
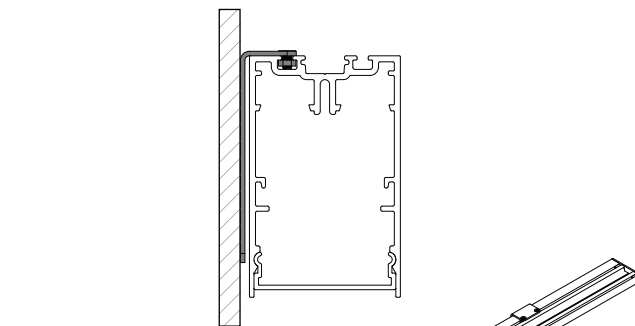
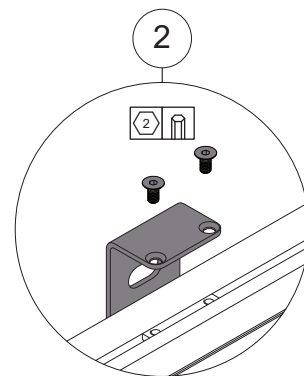
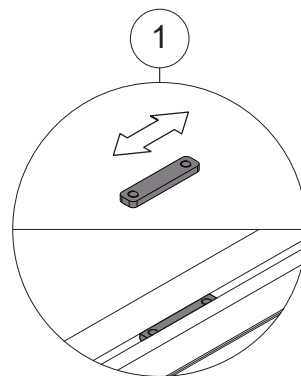
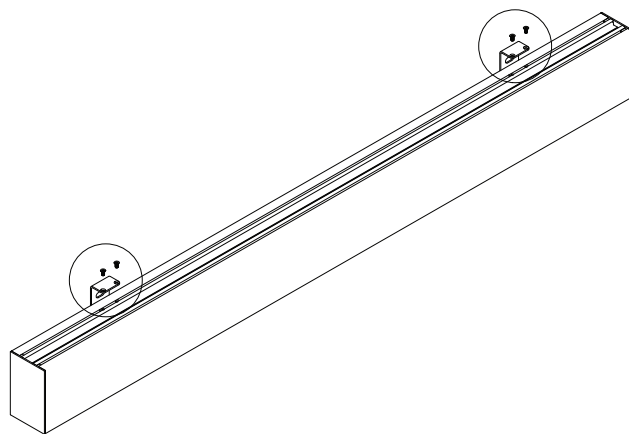
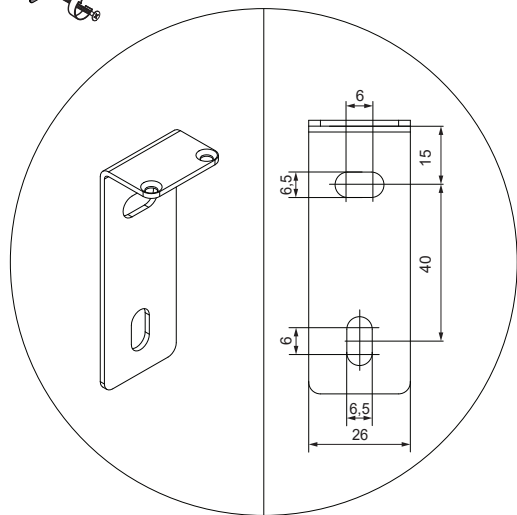
93560705_93560709_93560732



The light source contained in this luminaire shall only be replaced by the manufacturer or his service agent or a similar qualified person

screws are not included

N ⊕ L



SLD50 suspension

93560805_93560809_93560832

