



# SLD35

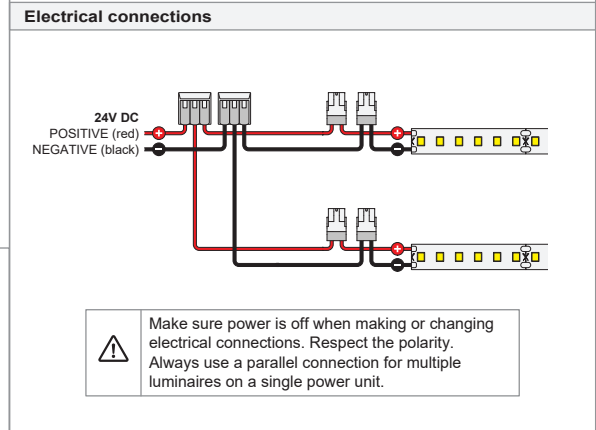
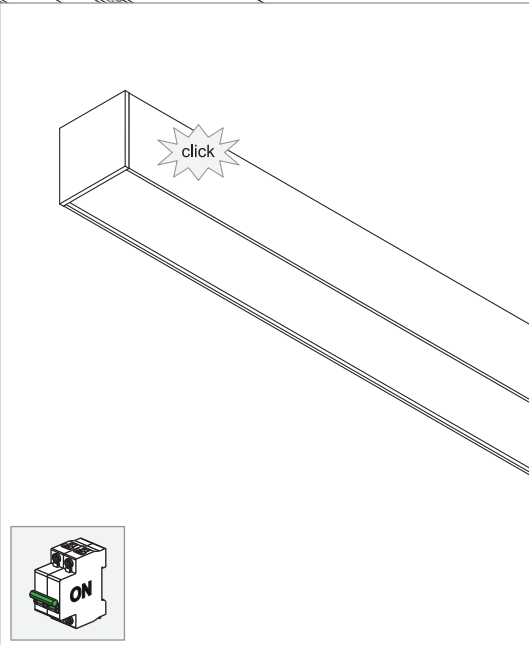
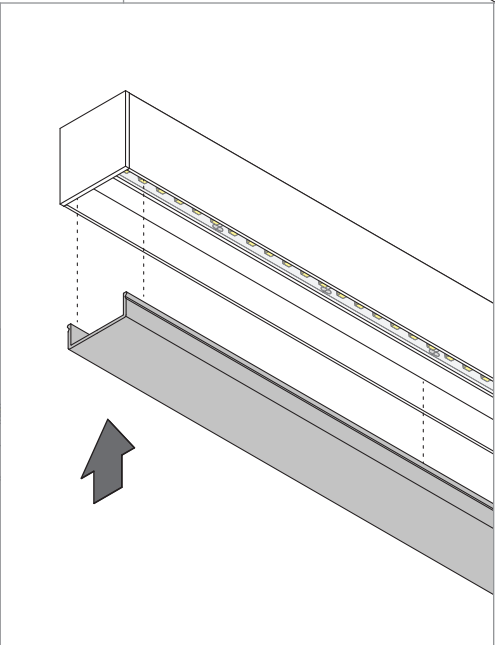
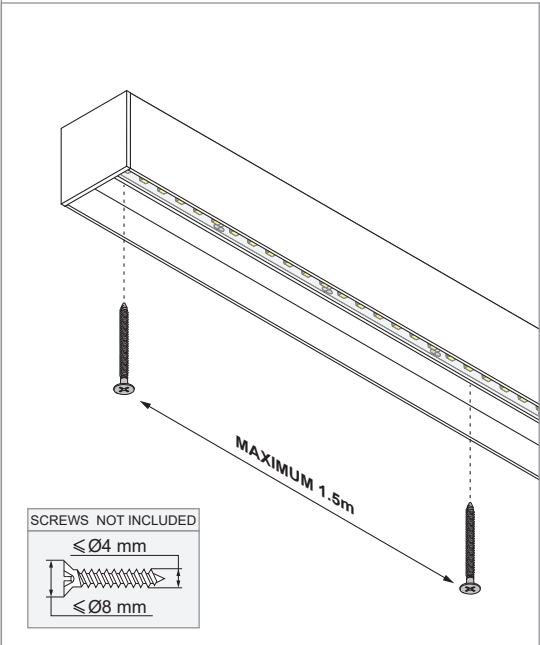
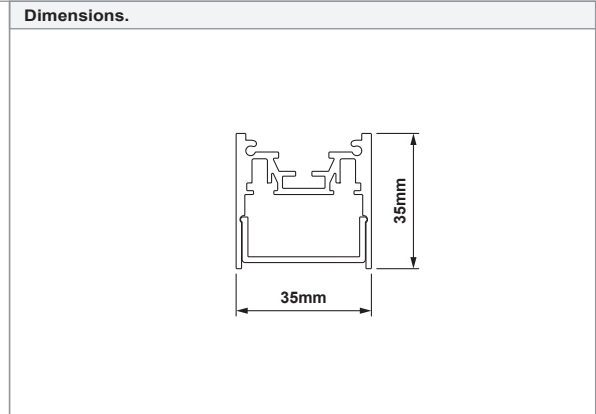
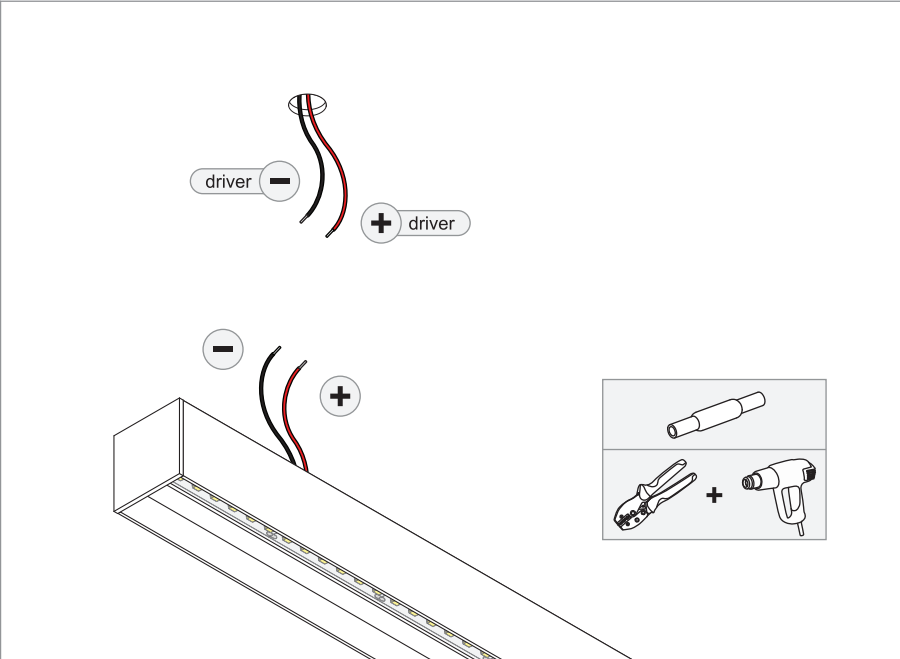
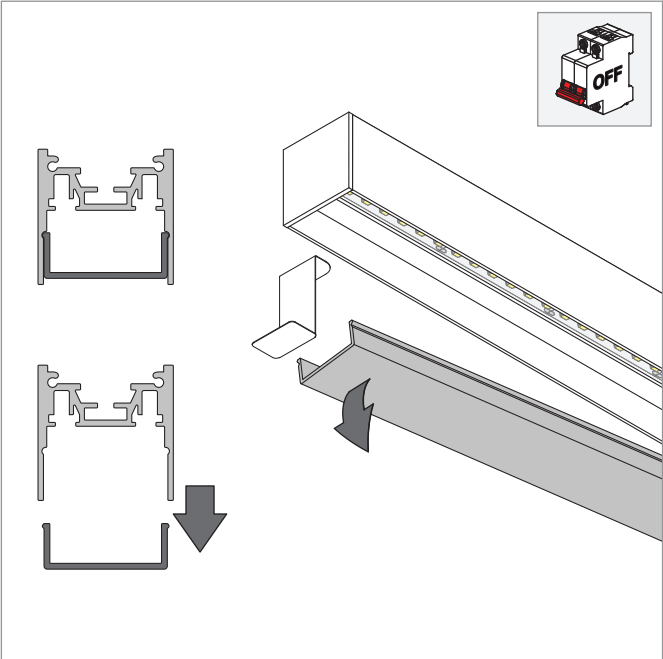
INSTALLATION INSTRUCTIONS



**MODULAR**  
LIGHTING —  
INSTRUMENTS

# SLD35 surface mounted

93461305\_93461309\_93461332\_93461341\_93461382\_93461384\_93460012\_93470505



Replace protective shield when broken. The luminaire shall only be used complete with its protective shield. **On site conditions (e.g. heat, humidity, ...) can lead to expansion of the diffusor. Therefore onsite shortening of the diffusor can be required.**

**LIGHT SOURCE - DO NOT TOUCH LED**  
Touching the LED can result in permanent damage of the light source. The light source and/or driver contained in this luminaire shall only be replaced by the manufacturer or his service agent or a similar qualified person.

**PREVENTING ELECTROSTATIC DAMAGE**  
A discharge of static electricity may damage sensitive components. Therefore do not touch the LED nor the stripped parts of the wires with bare hands. Always be properly insulated by using ESD gloves.

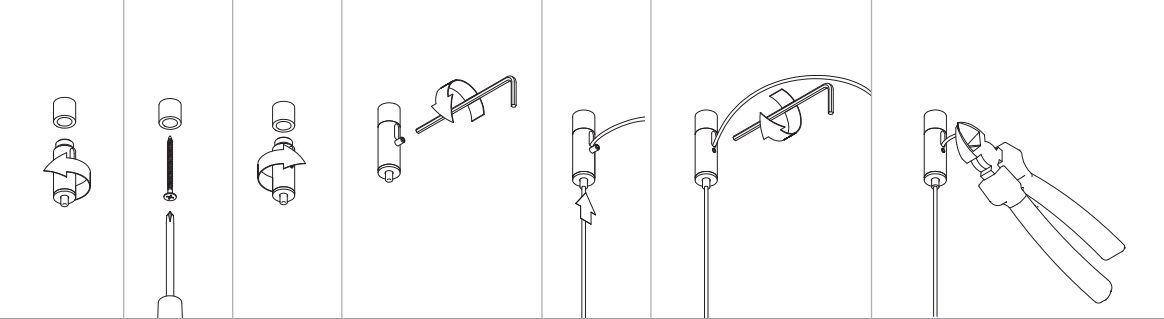
**DRIVERS & ACCESSORIES**  
For latest version of driver matrix and available accessories check [www.supermodular.com](http://www.supermodular.com) or connect with your sales contact.



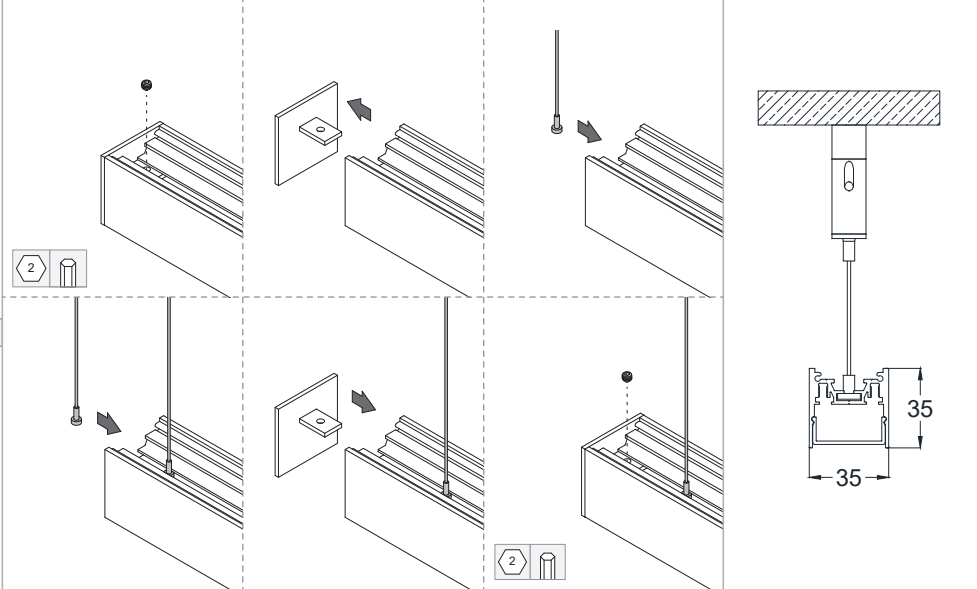
# SLD35 suspended mounted

934613XX\_93460012\_93470506

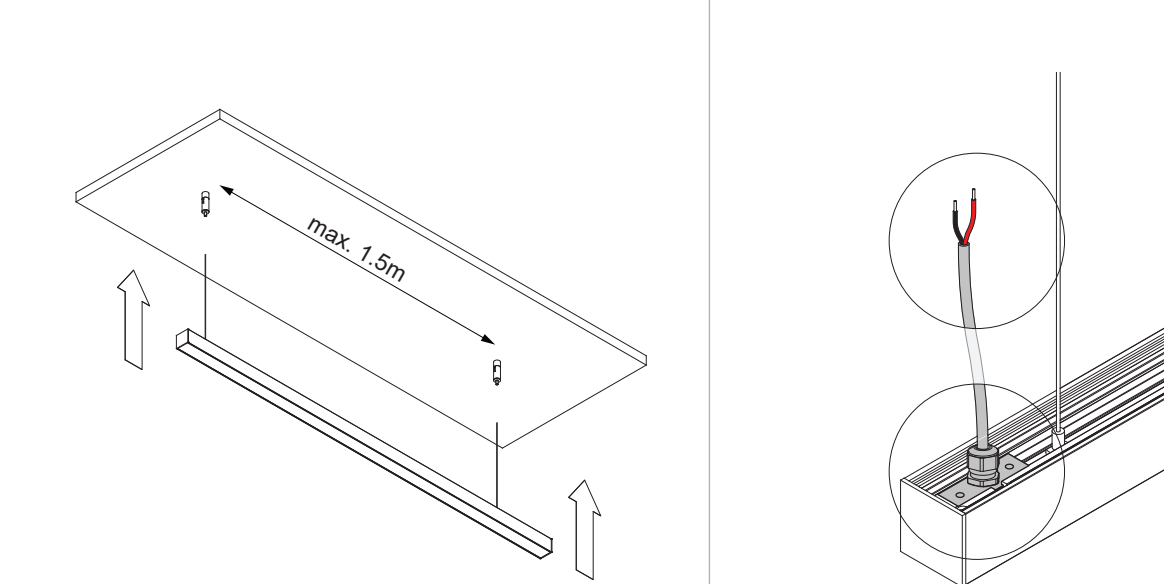
## Mount the cable holders to the ceiling.



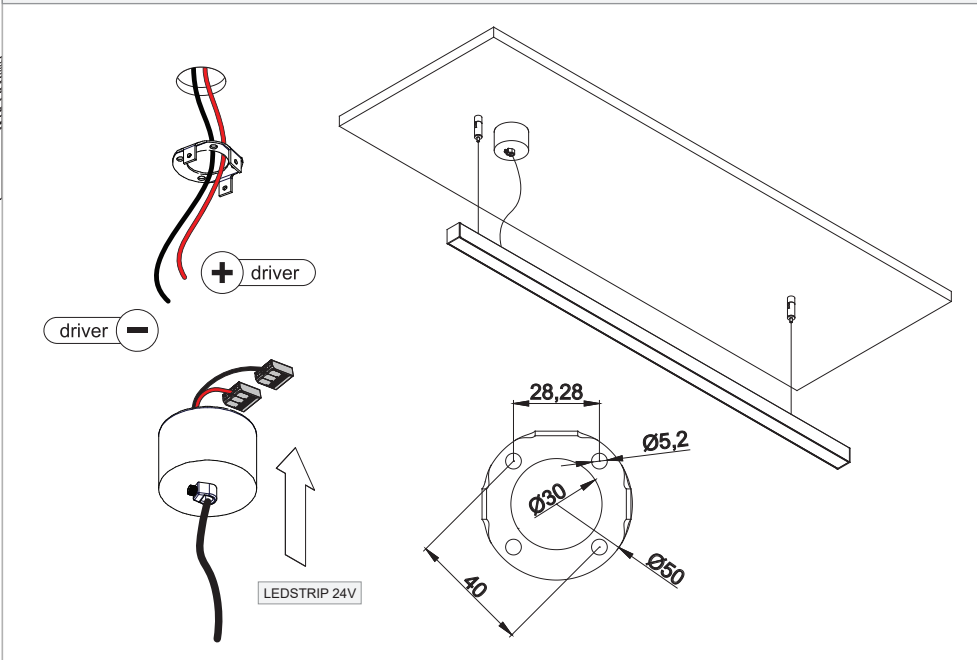
## Add the steelcables to the profile







## Mount the base profile with LED strip and diffuser



## Electrical connection



-  On site conditions (e.g. heat, humidity, ...) can lead to expansion of the diffuser. Therefor onsite shortening of the diffuser can be required
-  **LIGHT SOURCE - DO NOT TOUCH LED**  
Touching the LED can result in permanent damage of the light source. The light source contained in this luminaire shall only be replaced by the manufacturer or his service agent or a similar qualified person.

-  Connect the power cable directly to a surface mounted power supply, or add the canopy to connect to a remote power supply.
-  Do not disconnect the power cable from the cable gland. Do not disconnect the cable gland from the base profile.

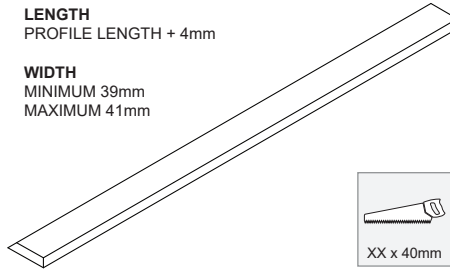
# SLD35 flange recessed mounted

93461409\_93461432\_93460012\_93460997\_93470507

**Cut-out size**

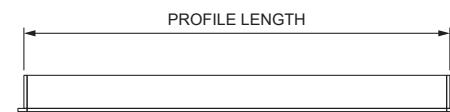
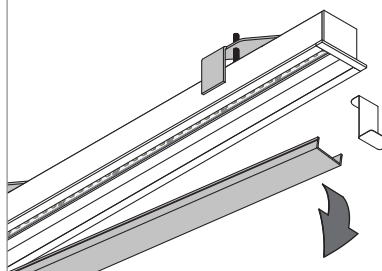
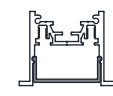
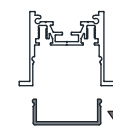
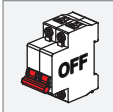
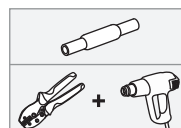
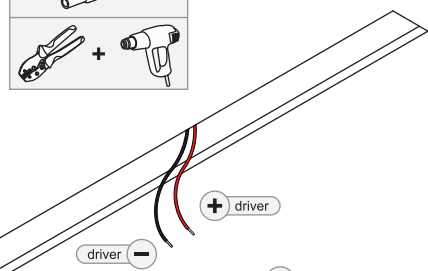
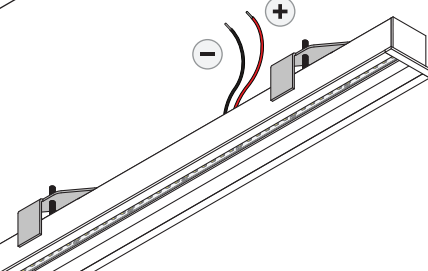
**LENGTH**  
PROFILE LENGTH + 4mm

**WIDTH**  
MINIMUM 39mm  
MAXIMUM 41mm

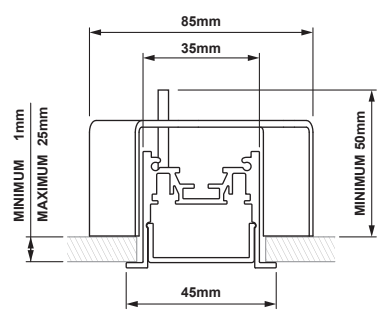


XX x 40mm

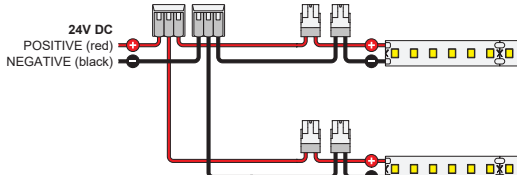
PROFILE LENGTH

**Dimensions.**

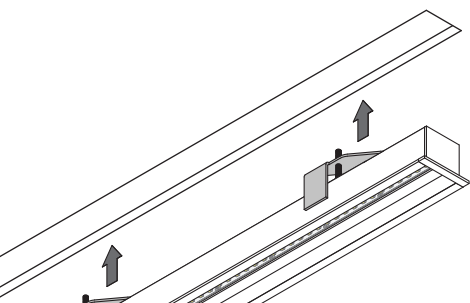
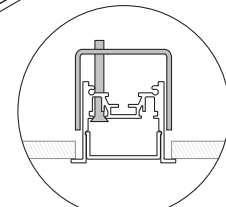
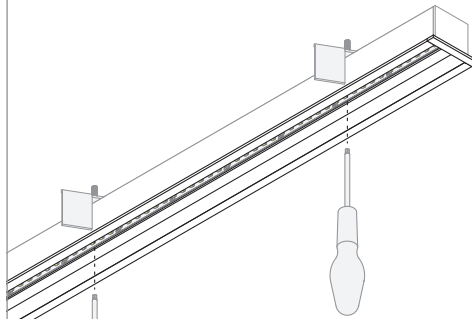
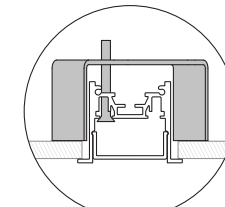
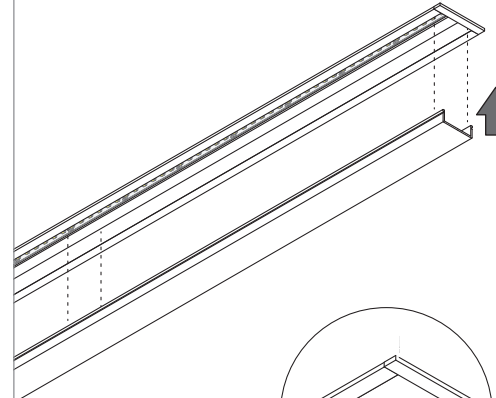
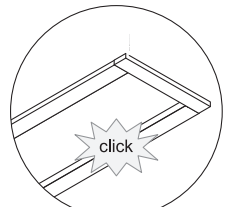
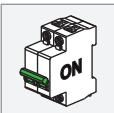


**Electrical connections**



24V DC  
POSITIVE (red)  
NEGATIVE (black)

Make sure power is off when making or changing electrical connections. Respect the polarity. Always use a parallel connection for multiple luminaires on a single power unit.

Replace protective shield when broken. The luminaire shall only be used complete with its protective shield. **On site conditions (e.g. heat, humidity, ...) can lead to expansion of the diffuser. Therefore onsite shortening of the diffuser can be required.**

**LIGHT SOURCE - DO NOT TOUCH LED**

Touching the LED can result in permanent damage of the light source. The light source and/or driver contained in this luminaire shall only be replaced by the manufacturer or his service agent or a similar qualified person.

**PREVENTING ELECTROSTATIC DAMAGE**

A discharge of static electricity may damage sensitive components. Therefore do not touch the LED nor the stripped parts of the wires with bare hands. Always be properly insulated by using ESD gloves.

**DRIVERS & ACCESSORIES**

For latest version of driver matrix and available accessories check [www.supermodular.com](http://www.supermodular.com) or connect with your sales contact.

# SLD35 trimless recessed mounted

93461305\_93461309\_93461332\_93461341\_93461382\_93461384\_93460012\_93460996\_93470505

**Cut-out size**

**LENGTH**  
PROFILE LENGTH + 4mm

**WIDTH**  
MINIMUM 39mm  
MAXIMUM 41mm

PROFILE LENGTH

**Dimensions.**

Use FLEX filler

**Electrical connections**

Make sure power is off when making or changing electrical connections. Respect the polarity. Always use a parallel connection for multiple luminaires on a single power unit.

see profile drawing for distance

Use FLEX filler

Replace protective shield when broken. The luminaire shall only be used complete with its protective shield. On site conditions (e.g. heat, humidity, ...) can lead to expansion of the diffusor. Therefore onsite shortening of the diffusor can be required.

**LIGHT SOURCE - DO NOT TOUCH LED**

Touching the LED can result in permanent damage of the light source. The light source and/or driver contained in this luminaire shall only be replaced by the manufacturer or his service agent or a similar qualified person.

**PREVENTING ELECTROSTATIC DAMAGE**

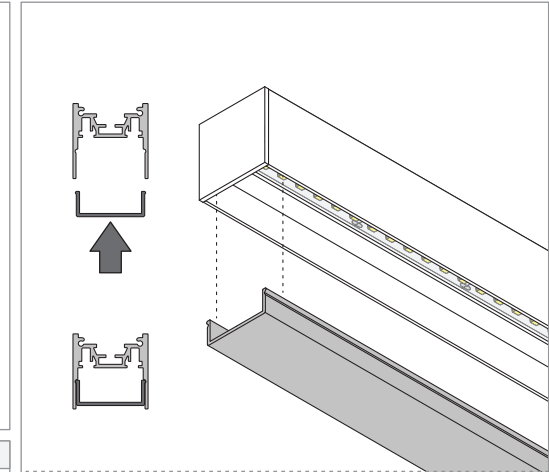
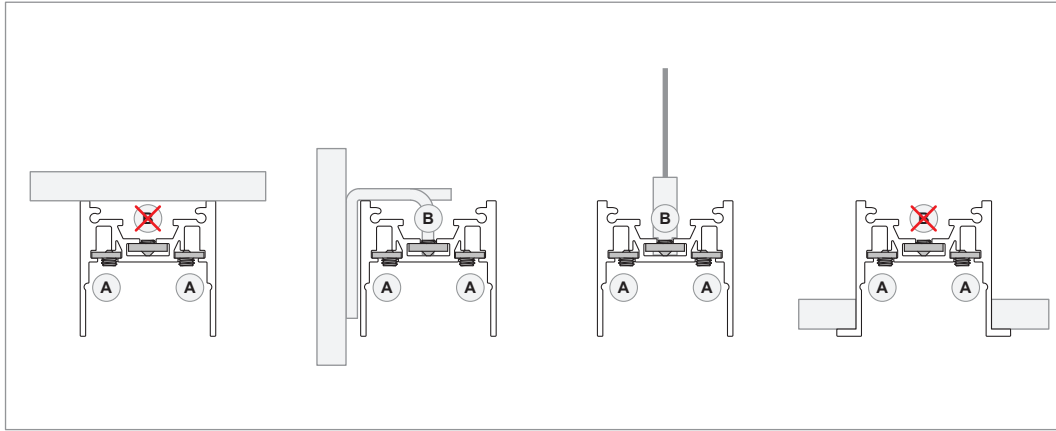
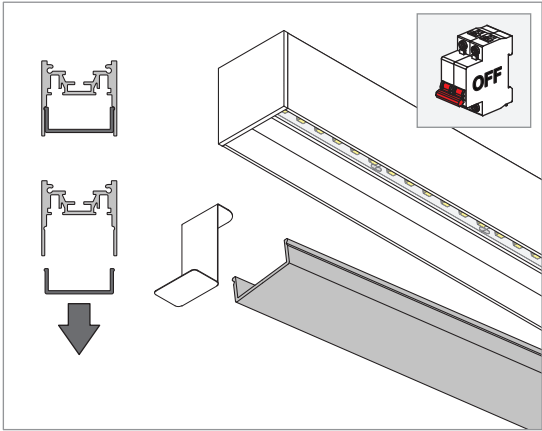
A discharge of static electricity may damage sensitive components. Therefore do not touch the LED nor the stripped parts of the wires with bare hands. Always be properly insulated by using ESD gloves.

**DRIVERS & ACCESSORIES**

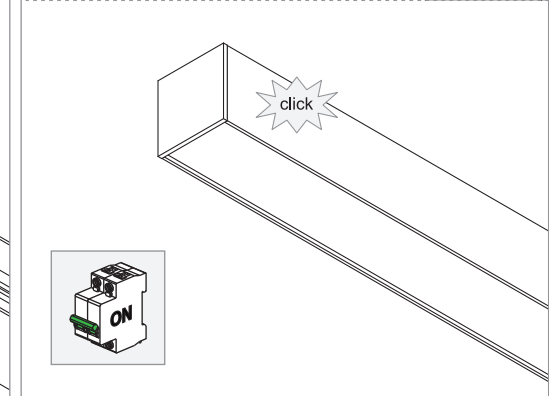
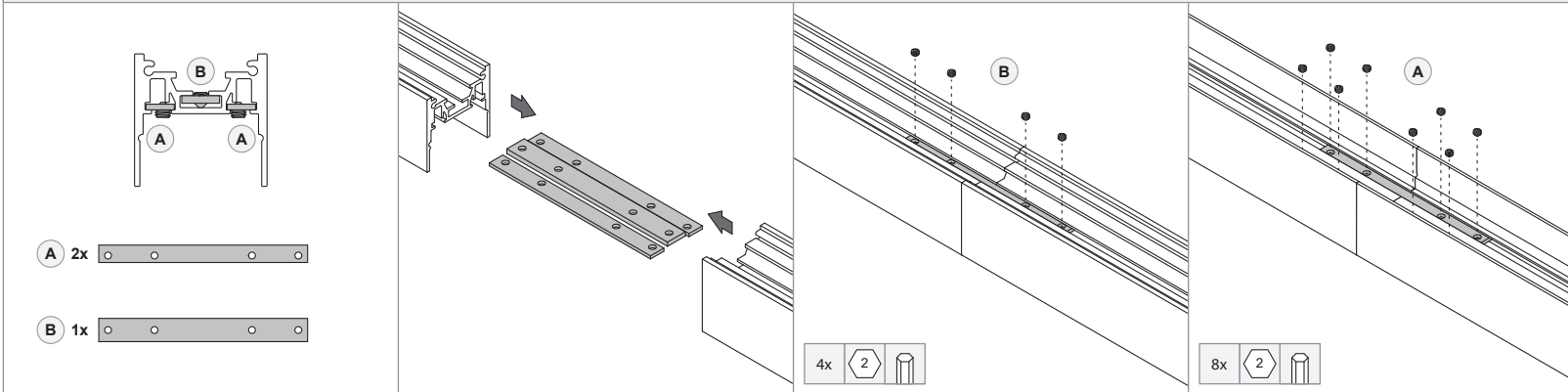
For latest version of driver matrix and available accessories check [www.supermodular.com](http://www.supermodular.com) or connect with your sales contact.

# SLD35 connection 180° / 90°

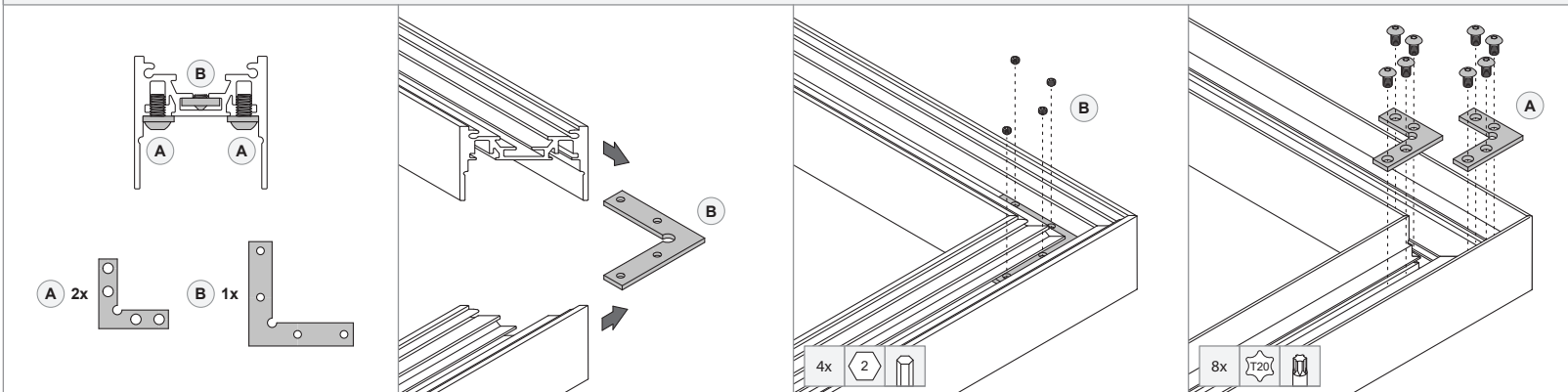
93460050 - 93460060



## 180° connections



## 90° connections



|  |  |
|--|--|
|  | Local conditions (e.g. heat, humidity...) can lead to expansion of the diffuser. Therefore it may be necessary to shorten the diffuser on site.  |
|  | Replace protective shield when broken. The luminaire shall only be used complete with its protective shield.   |
|  | <b>LIGHT SOURCE - DO NOT TOUCH LED</b><br>Touching the LED can result in permanent damage of the light source. The light source and/or driver contained in this luminaire shall only be replaced by the manufacturer or his service agent or a similar qualified person. |
|  | <b>PREVENTING ELECTROSTATIC DAMAGE</b><br>A discharge of static electricity may damage sensitive components. Therefore do not touch the LED nor the stripped parts of the wires with bare hands. Always be properly insulated by using ESD gloves.                       |



# SLD35 wall

93461309\_93461432\_93468161\_93469161\_93460012\_93470504

## Mount the base profile with LED strip and diffuser.

MAXIMUM 1.5m

SCREWS NOT INCLUDED

max 4.5mm

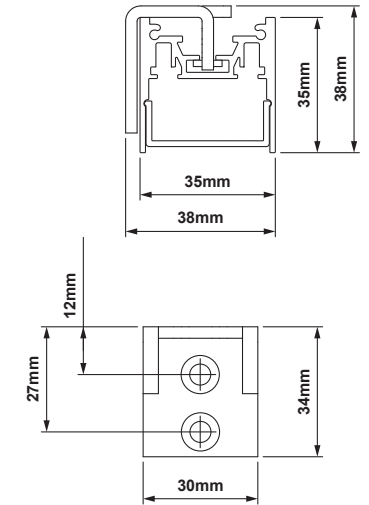
max 8.5mm

BLACK -

RED +

T20

## Dimensions.



## Make the supply connection.

24V DC

POSITIVE (red)

NEGATIVE (black)

Make sure power is off when making or changing electrical connections. Respect the polarity. Always use a parallel connection for multiple luminaires on a single power unit.

2x

T20



Local conditions (e.g. heat, humidity...) can lead to expansion of the diffuser. Therefore it may be necessary to shorten the diffuser on site.



Replace protective shield when broken. The luminaire shall only be used complete with its protective shield. On site conditions (e.g. heat, humidity, ...) can lead to expansion of the diffuser can be required.



### LIGHT SOURCE - DO NOT TOUCH LED

Touching the LED can result in permanent damage of the light source. The light source and/or driver contained in this luminaire shall only be replaced by the manufacturer or his service agent or a similar qualified person.



### PREVENTING ELECTROSTATIC DAMAGE

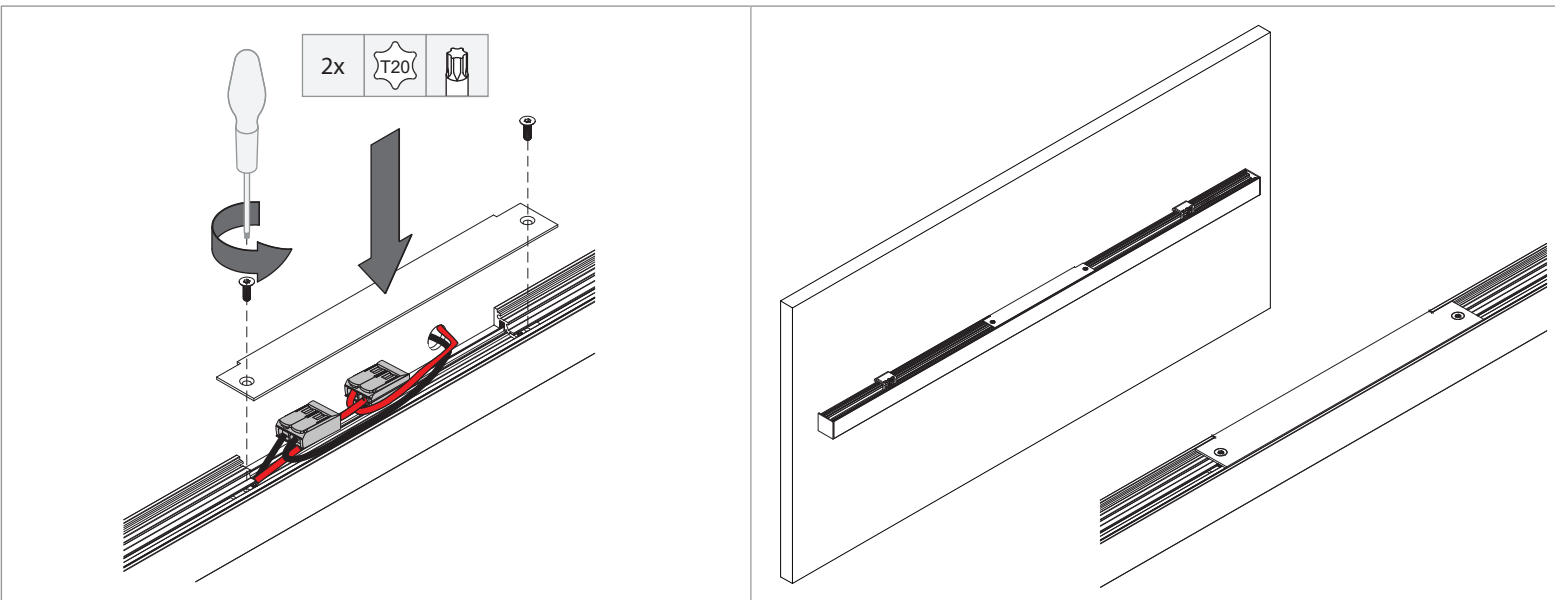
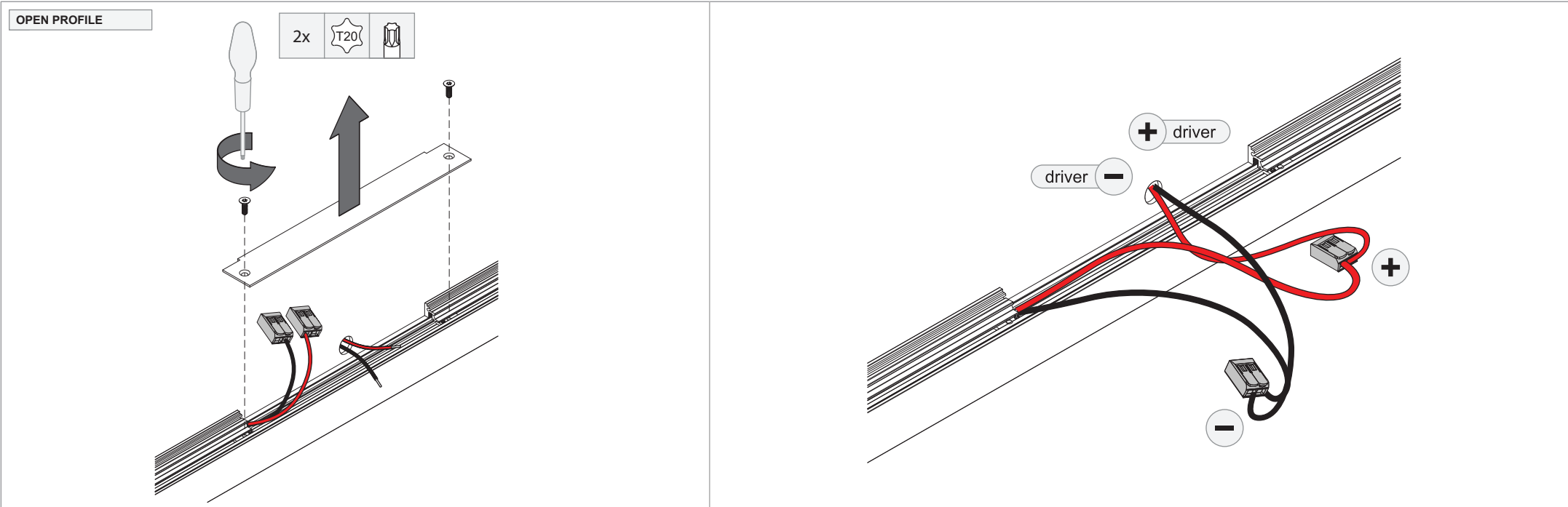
A discharge of static electricity may damage sensitive components. Therefore do not touch the LED nor the stripped parts of the wires with bare hands. Always be properly insulated by using ESD gloves.


### DRIVERS & ACCESSORIES

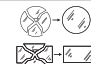
For latest version of driver matrix and available accessories check [www.supermodular.com](http://www.supermodular.com) or connect with your sales contact.


# SLD35 LEDSTRIP 24V connection wall


93470504



 On site conditions (e.g. heat, humidity, ...) can lead to expansion of the diffusor. Therefore onsite shortening of the diffusor can be required

 Replace protective shield when broken. The luminaire shall only be used complete with its protective shield.  
Reference number: SLD50 Poly In (1012155) - SLD50 Prismatic (1012157) - SLD50 Poly Out (1012157)

 **LIGHT SOURCE - DO NOT TOUCH LED**  
Touching the LED can result in permanent damage of the light source. The light source contained in this luminaire shall only be replaced by the manufacturer or his service agent or a similar qualified person.

 **PREVENTING ELECTROSTATIC DAMAGE**  
A discharge of static electricity may damage sensitive components. Therefore do not touch the LED nor the stripped parts of the wires with bare hands. Always be properly insulated by using ESD gloves.