

Description

Slim U-shaped customisable LED profile for continuous direct lighting.

The unit consists of a base with PMMA diffuser. The PMMA diffuser is recessed 2mm into the base. The light source can be chosen: or downlight high-power LED line modules or medium power flexible LED strips. In both cases, the LED driver isn't integrated in the profile base. The driver can be mounted on the ceiling in separate housing, or has to be put remote. The base can be surface mounted, recessed or suspended. Maximum length of one profile is 6000mm.

Materials

- Base: aluminium anodized (available in natural colour, bronze, silver bronze and champagne) or with scratch resistant fine textured powder coating in matt white or matt black
- Diffuser: PMMA
- Endplate: aluminium anodized or with scratch resistant fine textured powder coating in matt white or matt black
- Connection plate 180°, 90° or 135°: galvanized steelplate
- Wall bracket: aluminium anodized or with scratch resistant fine textured powder coating in matt white or matt black
- Recessed bracket: galvanize steelplate
- Suspension cables: steel
- Ceiling mount: aluminium with scratch resistant fine textured powder coating in matt white or matt black, or anodic grey

Technical characteristics

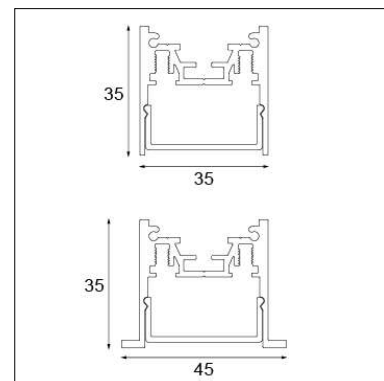
- Dimensions surface mounted base: 35 mm x 35 mm (H x W)
- Dimensions recessed mounted base: 45 mm (including flanges) x 35 mm (H x W)
- Average base thickness: 2mm
- Weight of empty surface mounted base: 0.75 kg/m
- Weight of empty recessed mounted base: 0.8 kg/m
- Suitable for continuous light line with IP20 high-power LED line modules of 2000 lm/m (3000 K), power consumption 14.6 W/m, CRI 80+, 3SDCM, for remote LED driver
- Suitable for continuous light line with IP20 medium power flexible LED strip of 700 lm/m (8.5W/m) or 1000 lm/m (14W/m) in 3000K, CRI80, 3SDCM for remote 24V LED driver. RGB strip available on request.
- Suitable for continuous light line with IP44 medium power flexible LED strip of 700 lm/m (8.5W/m) or 1000 lm/m (14W/m) in 3000K, CRI80, 3SDCM for remote 24V LED driver. RGB strip available on request.
- Control options with electronic LED drivers: non-dimmable, 1-10V, Dali or Pushdim
- Power: 220-230 V, 50-60 Hz
- Class 1
- High power LED lines only for indoor use. IP44 only with IP44 flexible LED strip
- Warranty period: 5 years on LED, 2 years on drivers

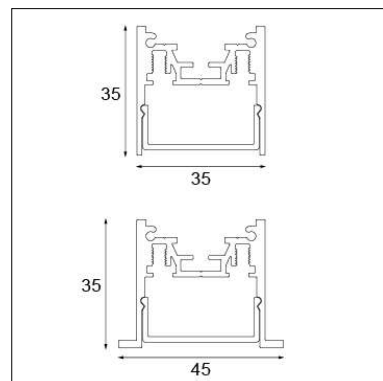
Installation

- Fully tested and preinstalled halogen-free wiring. Ready to connect to mains via any connection point in remote gear
- LED lines and flexible LED strips are preinstalled in base and easy to replace
- Surface mounted ceiling: slotted holes in base. Fix with standard chipboard screws, maximum diameter 4.5mm (not included)
- Surface mounted wall: slotted holes in base in combination with wall bracket. Fix with standard chipboard screws, maximum diameter 4.5mm (not included)
- Suspended: suspension set and steel cable available separately. Height adjusted at ceiling side.
- Recessed: recess bracket available separately for both trimless and non-trimless installation

Accessories

- 180° connection plate
- 135° connection plate
- 90° connection plate
- Endplate, attached to the base with two screws
- Suspension set with steel cable, transparent 3 or 5 pole power cable, with anodized grey, matt black/white fine texture powder coated ceiling mount
- Recess (trimless) bracket





Standards and directives:

- 2006/95/EC - Low Voltage Directive
- 2004/108/EC - EMC Directive
- 2011/65/EU - RoHS Directive
- 2009/125/EC - ECODesign Directive
- 245/2009/EC + 347/2010/EU - ECODesign Directive
- 1194/2012/EU - ECODesign Regulation
- EN 60598-1:2008 +A11:2009 - Luminaires. General requirements and tests
- EN 62471:2008 - Photobiological safety of LED lamps and lamp systems
- EN 62493: 2010 - Assessment of lighting equipment related to human exposure to electromagnetic fields
- EN 60598-2-1 - Fixed general purpose luminaires
- EN 55015:2006 +A1:2007 +A2:2009 - Limits and methods of measurement of radio disturbance characteristics of electrical lighting and similar equipment
- EN 61000-3-2:2006 +A1,A2:2009 - Limits for harmonic current emissions (equipment input current ≤ 16 A per phase)
- EN 61000-3-3:2013 - Limitation of voltage changes, voltage fluctuations and flicker in public low-voltage supply systems, for equipment with rated current ≤ 16 A per phase and not subject to conditional connection
- EN 61547:2009 - EMC Immunity Requirements
- EN 50581:2012 - Technical documentation for the assessment of electrical and electronic products with respect to the restriction of hazardous substances