

SLD25

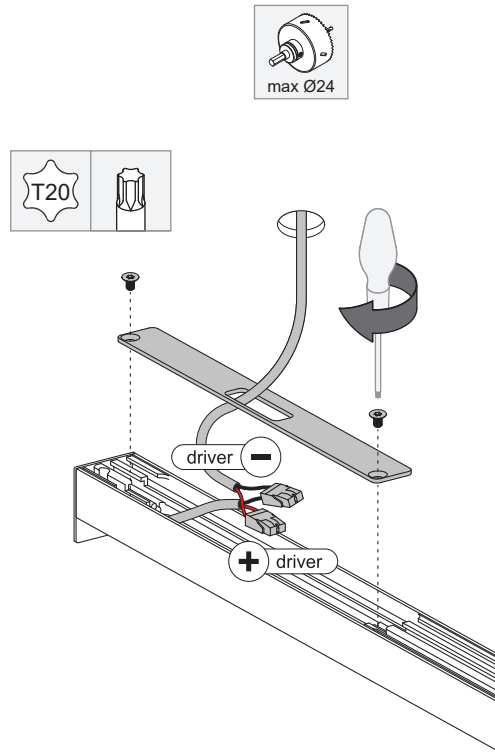
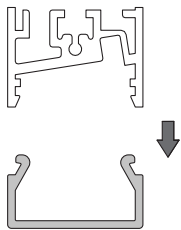
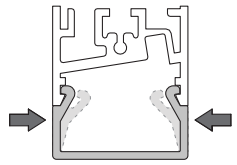
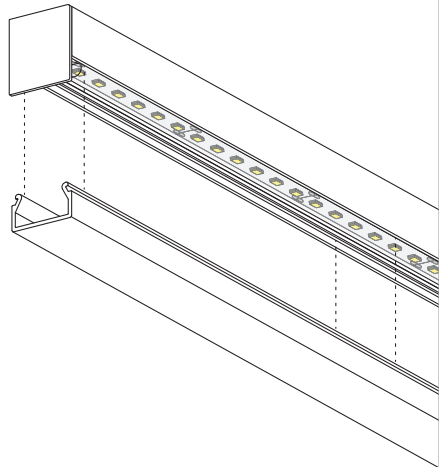
INSTALLATION INSTRUCTIONS




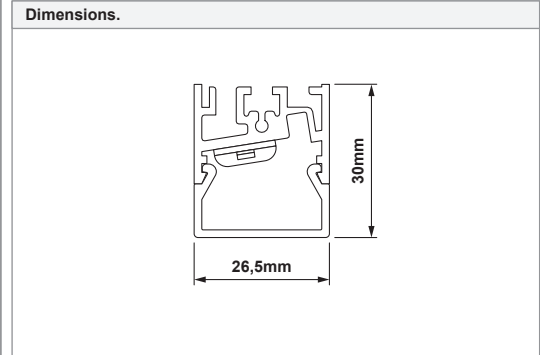
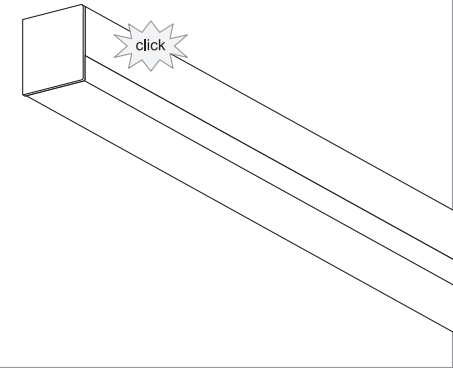
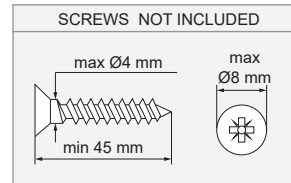
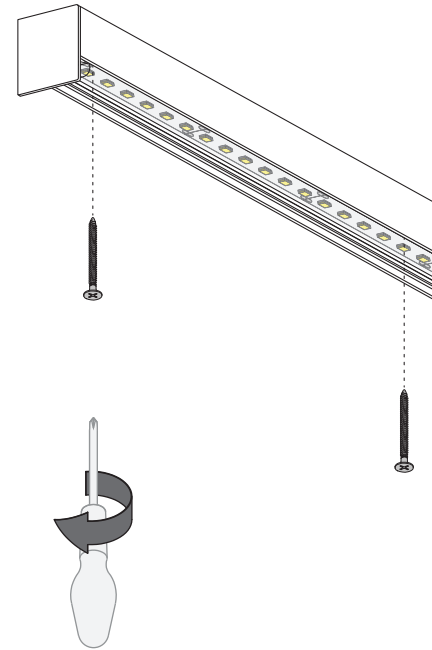
MODULAR
LIGHTING —
INSTRUMENTS


SLD 25 POLY OUT surface Mounted


93441209_93441232_93441241_93441282_93441284_93440003_93440505




 Make sure power is off when making or changing electrical connections. Respect the polarity. Always use a parallel connection for multiple luminaires on a single power unit.



 On site conditions (e.g. heat, humidity, ...) can lead to expansion of the diffuser. Therefore onsite shortening of the diffuser can be required.

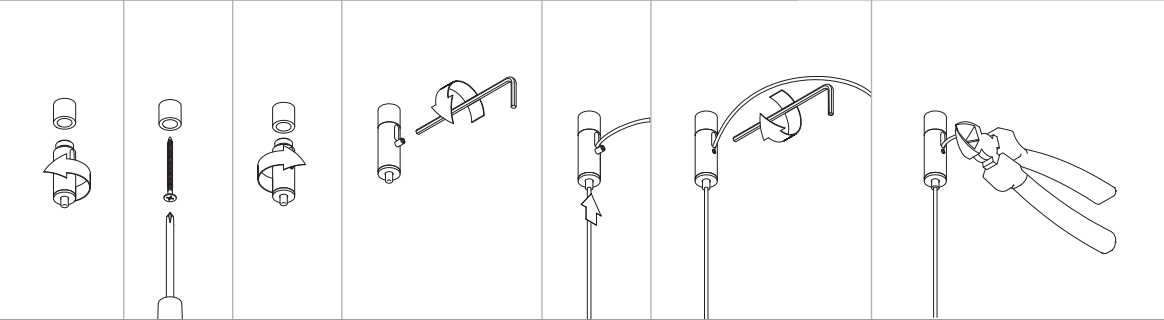
 **LIGHT SOURCE - DO NOT TOUCH LED**
Touching the LED can result in permanent damage of the light source. The light source and/or driver contained in this luminaire shall only be replaced by the manufacturer or his service agent or a similar qualified person.

 **PREVENTING ELECTROSTATIC DAMAGE**
A discharge of static electricity may damage sensitive components. Therefore do not touch the LED nor the stripped parts of the wires with bare hands. Always be properly insulated by using ESD gloves.

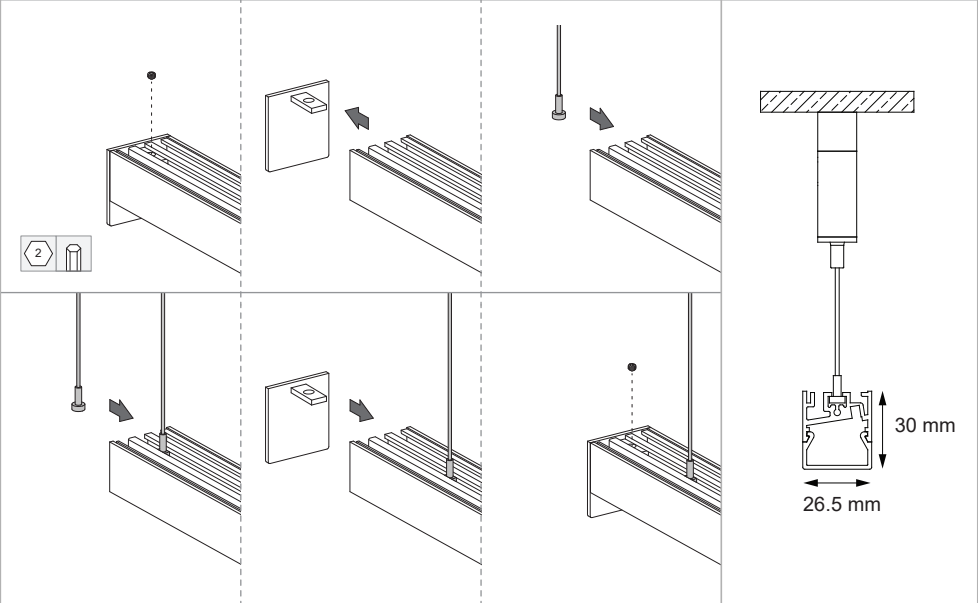
SLD25 POLY OUT Suspended Mounted

93441209_93441232_93441241_93441282_93441284_93440003_93440506

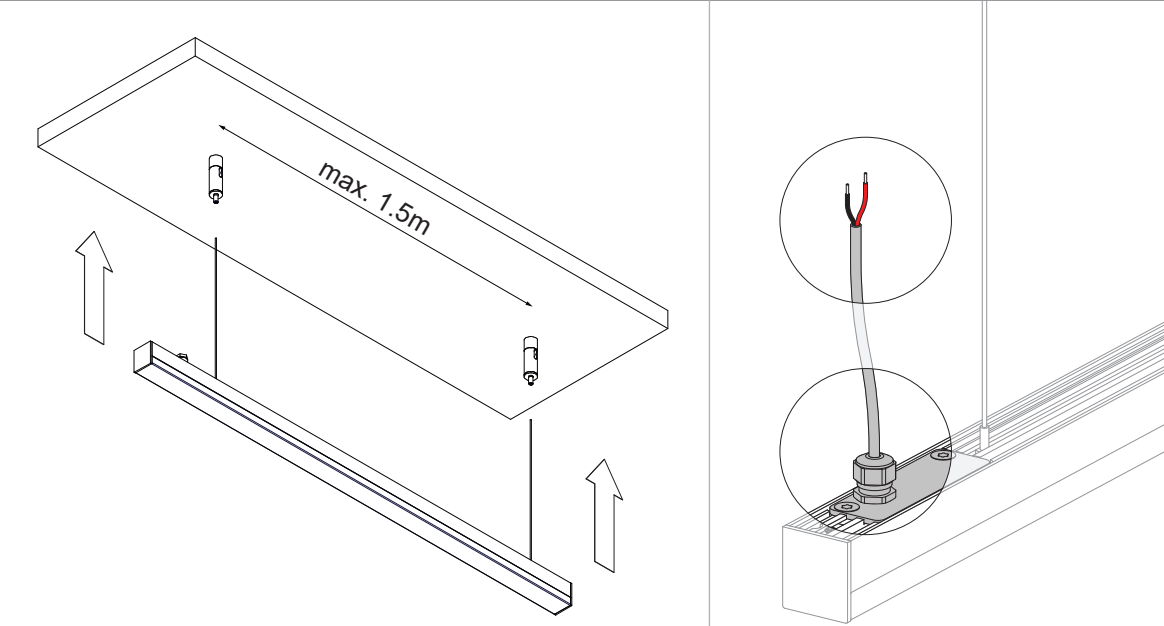
Mount the cable holders to the ceiling.



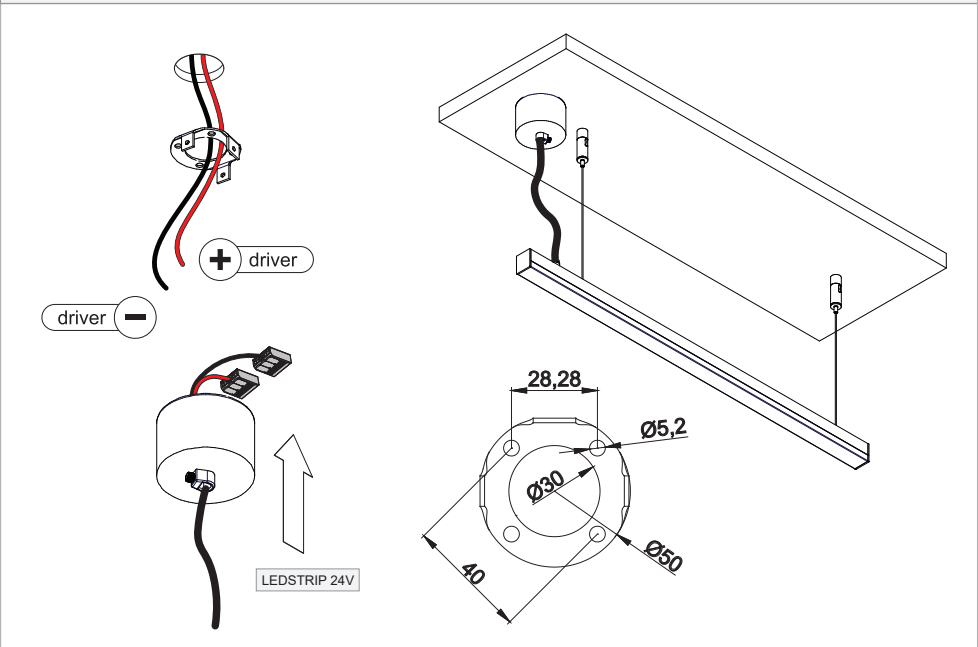
Add the steelcables to the profile



Mount the base profile with LED strip and diffuser



Electrical connection



Replace protective shield when broken. The luminaire shall only be used complete with its protective shield.
On site conditions (e.g. heat, humidity, ...) can lead to expansion of the diffuser. Therefore onsite shortening of the diffuser can be required.

LIGHT SOURCE - DO NOT TOUCH LED
 Touching the LED can result in permanent damage of the light source. The light source and/or driver contained in this luminaire shall only be replaced by the manufacturer or his service agent or a similar qualified person.

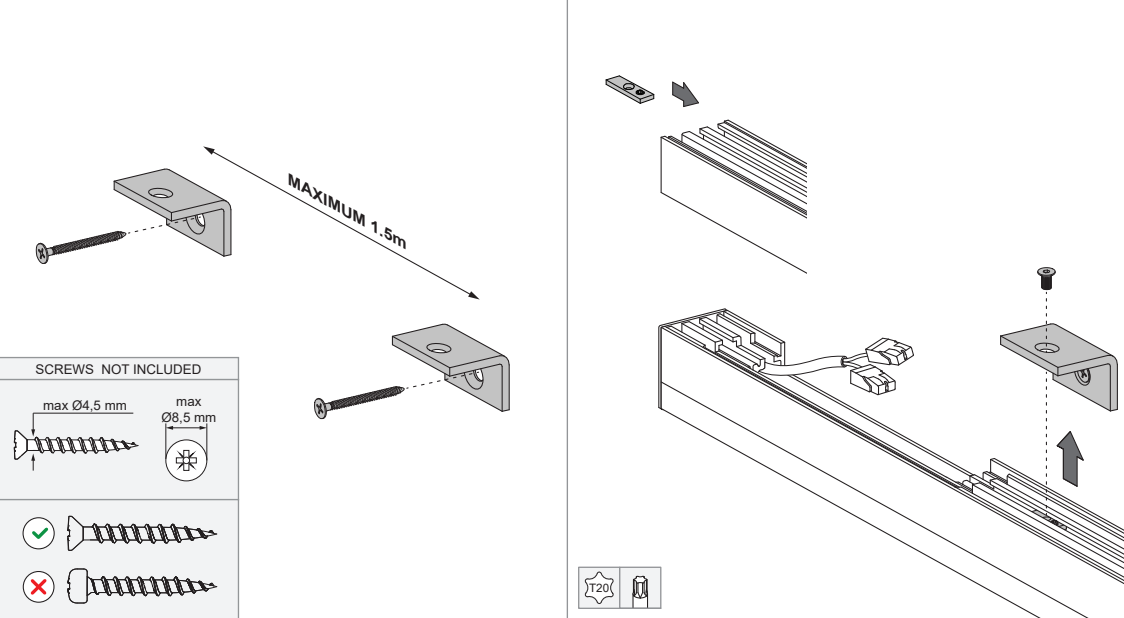
⚠ Connect the power cable directly to a surface mounted power supply, or add the canopy to connect to a remote power supply.

⚠ Do not disconnect the power cable from the cable gland. Do not disconnect the cable gland from the base profile.

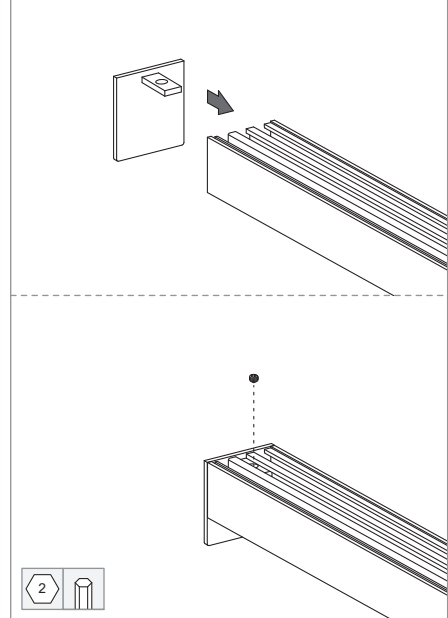
SLD 25 wall

93441209_93441232_93441241_93441282_93441284_93440003_93440861_93440961_93440504

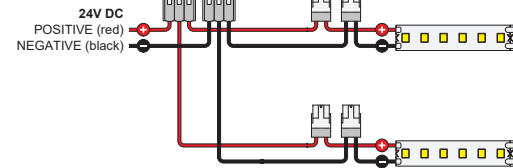
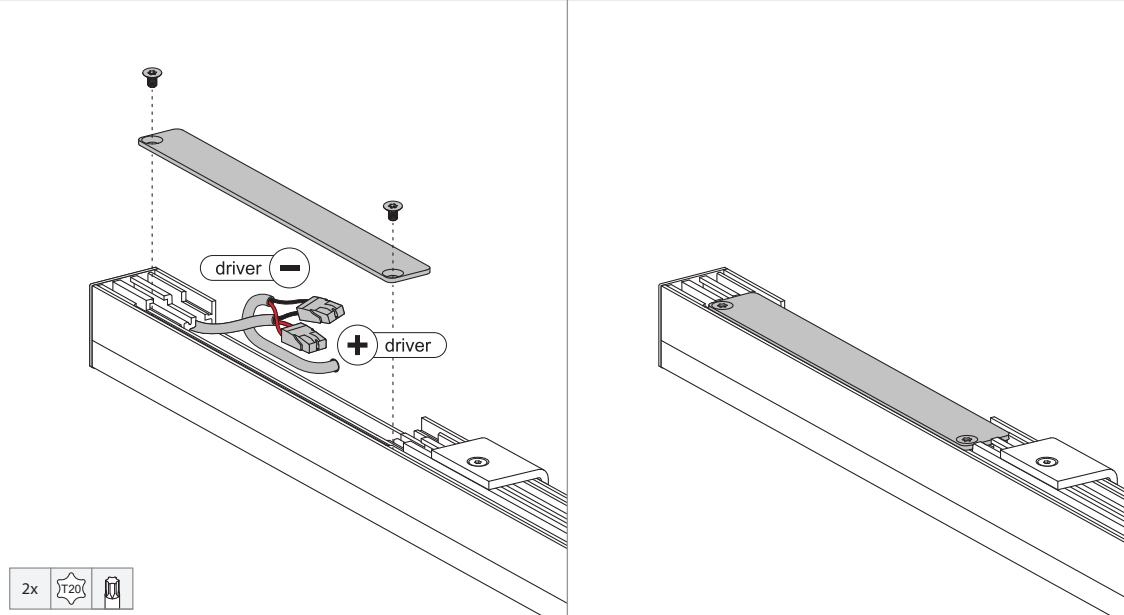
Mount the base profile with LED strip and diffuser



Endplate

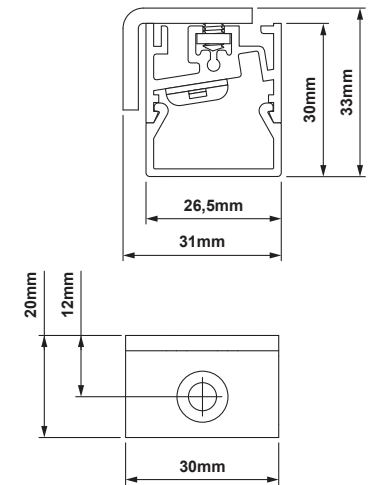


Make the supply connection



Make sure power is off when making or changing electrical connections. Respect the polarity. Always use a parallel connection for multiple luminaires on a single power unit. Use only with a class 2 power unit.

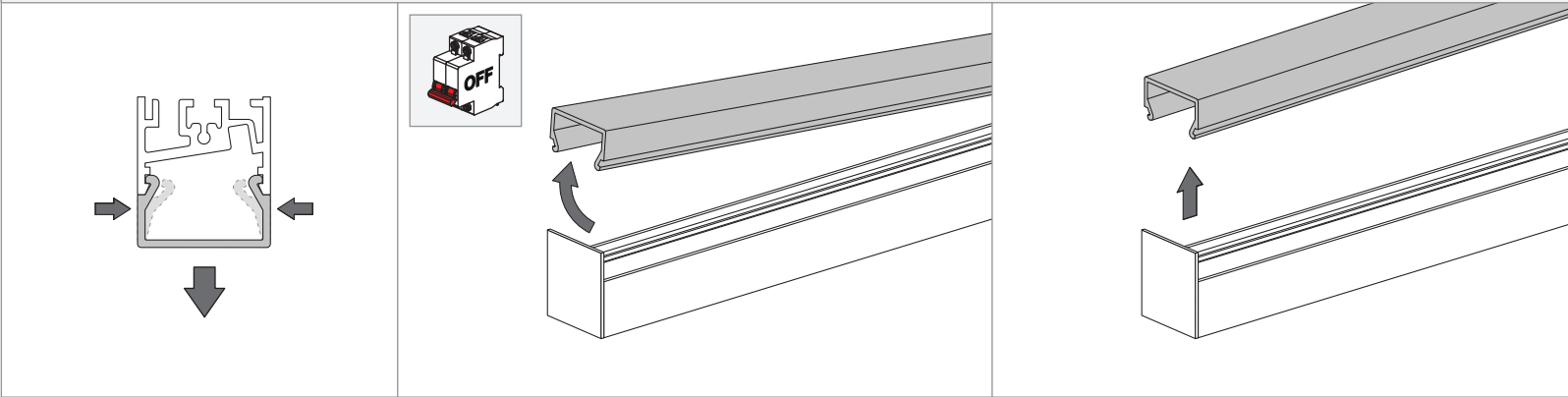
Dimensions



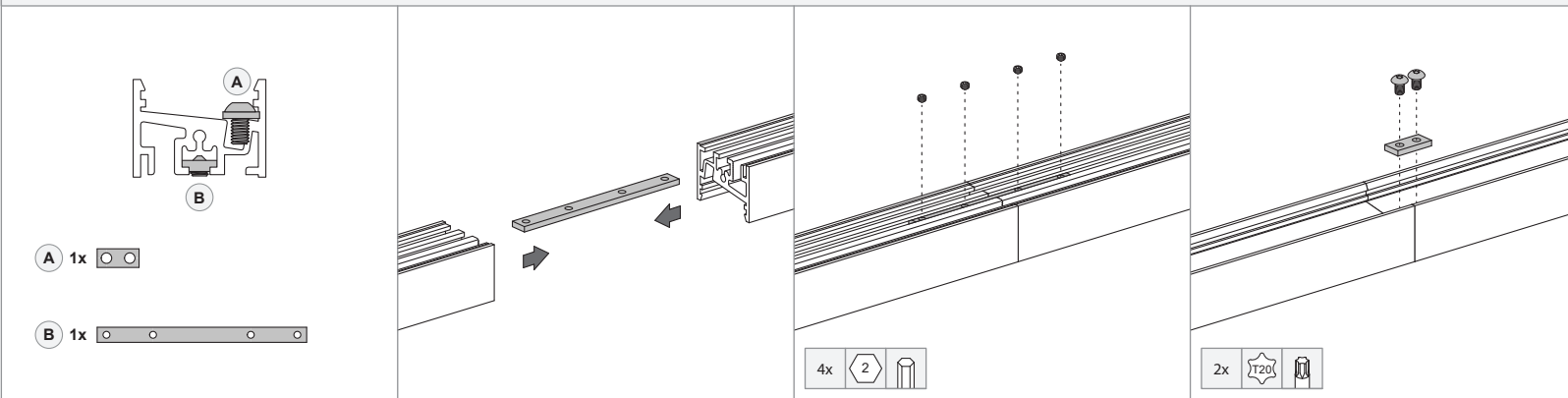
SLD25 connection 180° / 90°

93460050 - 93460060

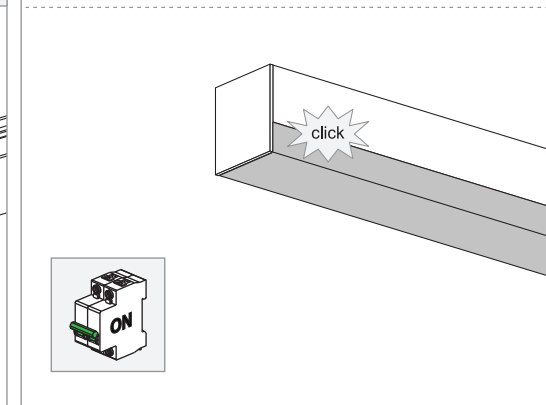
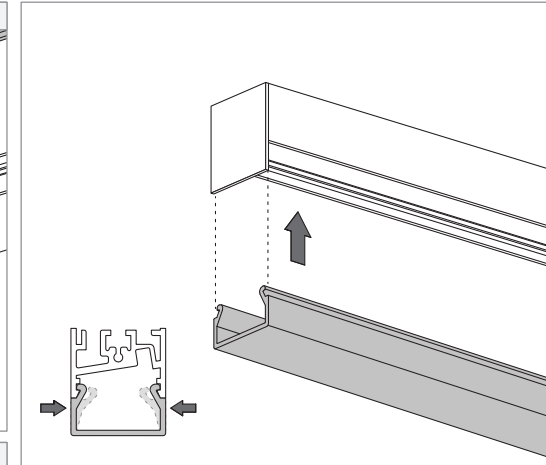
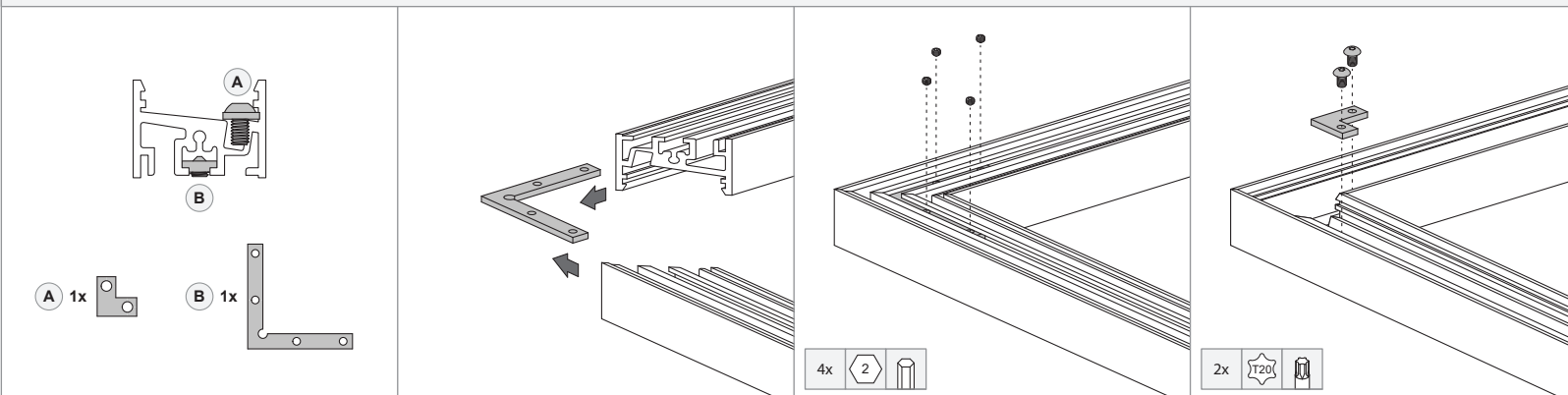
Click the diffuser out of the base profile.



Make the 180° connections.



Make the 90° connections.



Local conditions (e.g. heat, humidity...) can lead to expansion of the diffuser. Therefore it may be necessary to shorten the diffuser on site.



Replace protective shield when broken. The luminaire shall only be used complete with its protective shield.



LIGHT SOURCE - DO NOT TOUCH LED

Touching the LED can result in permanent damage of the light source. The light source and/or driver contained in this luminaire shall only be replaced by the manufacturer or his service agent or a similar qualified person.



PREVENTING ELECTROSTATIC DAMAGE

A discharge of static electricity may damage sensitive components. Therefore do not touch the LED nor the stripped parts of the wires with bare hands. Always be properly insulated by using ESD gloves.