

Description

Slim H-shaped customisable LED line for continuous direct lighting.

The LED line consists of a base, top cover and front cover (straight, sharp or curved) and can be either surface mounted or suspended. The end plates are attached without any visible screws. The combination of LED line modules and PMMA lenses ensures a maximum light yield within the requirements of the EN-12464-1 standard for office lighting.

Materials

- Aluminium base, top cover, front cover and end plates
- Finishing of base: scratch resistant fine textured powder coating in white or matt black, or in black anodisation
- Finishing of covers: scratch resistant fine textured powder coating in white or matt black or in gold anodisation
- Lenses: PMMA
- End plates: aluminium finished with a scratch resistant fine textured powder coating in white or matt black

Technical characteristics

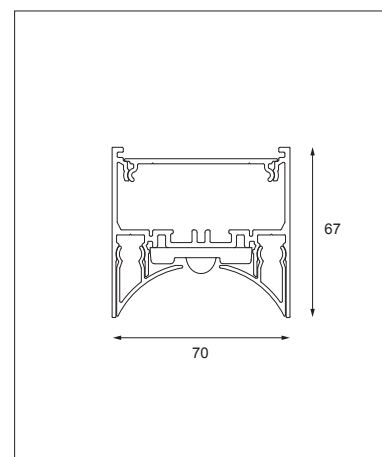
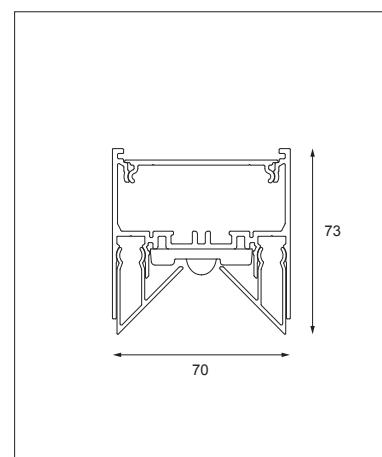
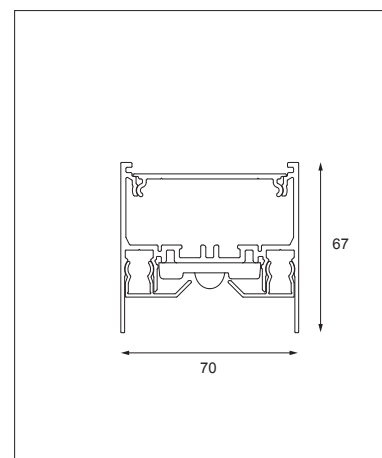
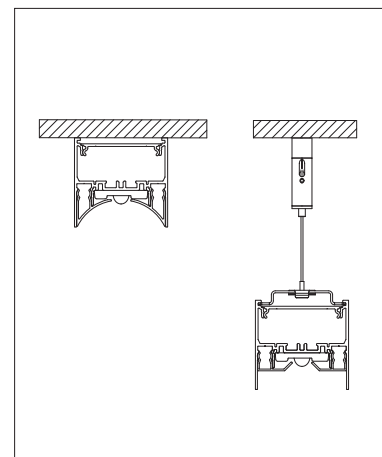
- Dimensions: 67 mm x 70 mm (H x W)
- Average base thickness: 1.5 mm
- Front covers:
 - Straight: recessed 13.5 mm into the base.
 - Sharp: canted and protrudes 6 mm from the base.
 - Curved: flushed with gently curved inwards from the edge of the base.
- Suitable for continuous light line with high power LED line modules of 3850 lm/m in combination with crystal clear PMMA lenses that ensure maximum LED efficiency to comply with the EN-12464-1 standard.
- Colour temperature: 2700K, 3000K or 4000K
- CRI 90+
- 3SDCM
- L80B10 @50.000hrs lifetime
- Luminaire output: 3850 lm/m, 2900 lm/m and 1925 lm/m downlight, 1000lm/m uplight
- Uplight & downlight combination possible
- Luminaire efficiency: depends on lens and cover
- Power consumption: 28.8 W/m
- Lenses: 80° and 120°
- UGR < 19 (exact value depends on lens and cover)
- Control options with electronic LED drivers: non-dimmable/Dali-Pushdim
- Warranty period: 5 years on LED lines, 5 years on drivers
- Class 1
- Power 220-230V, 50-60Hz

Installation

- Fully tested and preinstalled halogen-free wiring. Ready to connect to mains electricity via any connection point. Removable front covers preinstalled.
- Replaceable LED drivers and LED lines preinstalled in base.
- Magnetic end plates are simple to remove for easy installation of the lights. Fitted with extra security cable that serves both as ground wire and drop protection.
- Surface mounted: slotted holes in base. Fix with standard chipboard screws, maximum diameter 4.5 mm
- Suspended: suspension set and steel cable available separately. Height adjusted at ceiling side.
- Appliance equipped with hidden snap-in aluminium protective cover.

Accessories

- Suspension set with steel cable, transparent 3, 5 or 7 pole power cable, matt white/black textured or grey polyester powder coated aluminium ceiling mounts and suspension brackets that are inserted into the back of the base.



Standards and directives:

- 2006/95/EC - Low Voltage Directive
- 2004/108/EC - EMC Directive
- 2011/65/EU - RoHS Directive
- 2009/125/EC - Ecodesign Directive
- 245/2009/EC + 347/2010/EU - Ecodesign Directive
- 1194/2012/EU - Ecodesign Regulation
- EN 60598-1:2008 +A11:2009 - Luminaires. General requirements and tests
- EN 62471:2008 - Photobiological safety of LED lamps and lamp systems
- EN 62493: 2010 - Assessment of lighting equipment related to human exposure to electromagnetic fields
- EN 60598-2-1 - Fixed general purpose luminaires
- EN 60598-2-2:2012 - Recessed luminaires
- EN 55015:2006 +A1:2007 +A2:2009 - Limits and methods of measurement of radio disturbance characteristics of electrical lighting and similar equipment
- EN 61000-3-2:2006 +A1,A2:2009 - Limits for harmonic current emissions (equipment input current ≤ 16 A per phase)
- EN 61000-3-3:2013 - Limitation of voltage changes, voltage fluctuations and flicker in public low-voltage supply systems, for equipment with rated current ≤ 16 A per phase and not subject to conditional connection
- EN 61547:2009 - EMC Immunity Requirements
- EN 50581:2012 - Technical documentation for the assessment of electrical and electronic products with respect to the restriction of hazardous substances