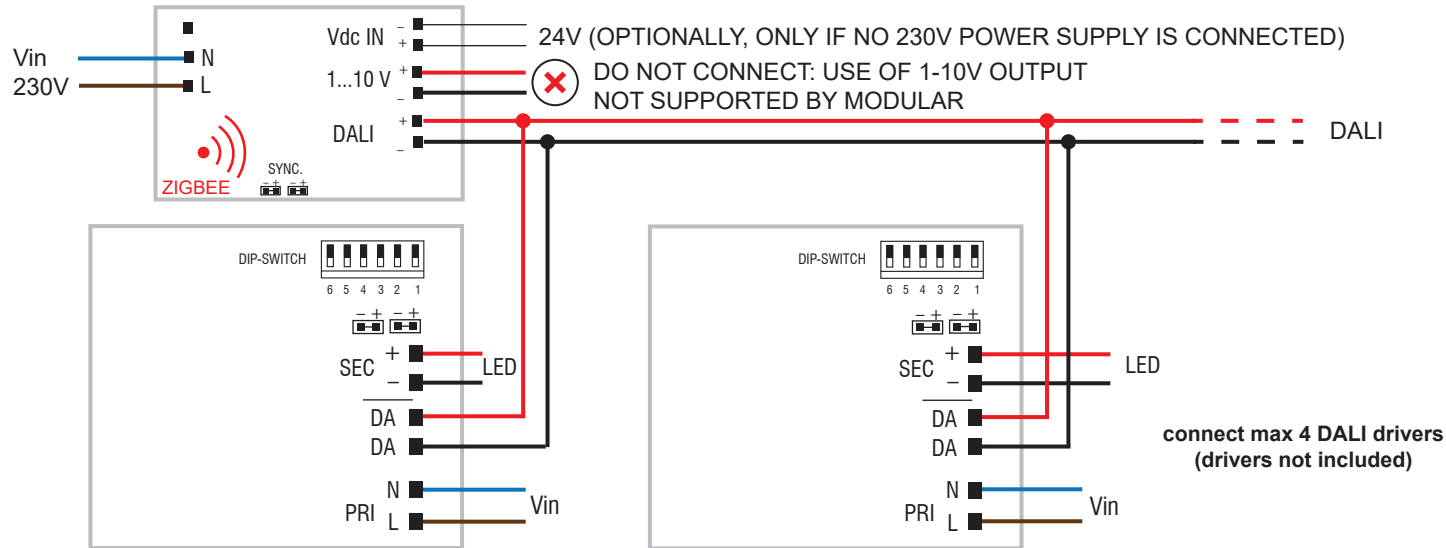


ZigBee dali dim module

13630200



Rated Voltage

100 ÷ 240V

Frequency

50...60 Hz

AC Operation range

90 ÷ 264 V

DC Operation range

DC 176 ÷ 264 V

DC 11,5 ÷ 25 V

Temperature

Tc = 65°C

Ta = -25...+50°C

Dimming range

1%.....100%

Standards compliance

EN 55015

EN 61000-3-2

EN 61347-1

EN 61347-2-11

EN 61547

EN 62311

ETSI EN 300 328

ETSI EN 301 489-1

ETSI EN 301 489-17

Conductor cross section

0.5mm²....1.5mm²

Conductor stripping length L/N

5mm

Conductor stripping length DALI

6mm

ADVISED TO ADD DEVICES IN APP PRIOR TO INSTALLATION

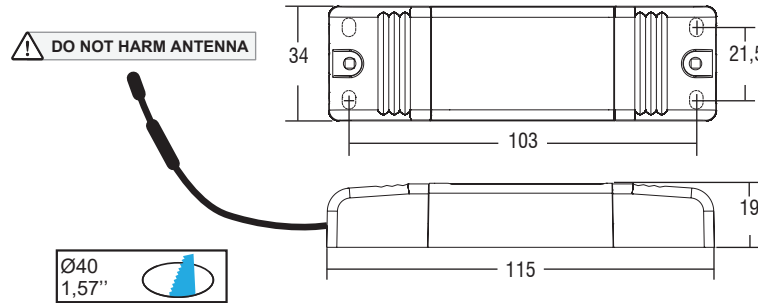
WIRELESS CONNECTION - QUICK START GUIDE

- 1 Plug in the Hue bridge and connect to your Wi-Fi router
- 2 Download the Philips Hue app and follow the instructions
- 3 Open the Philips Hue app and go to settings > lamp configuration > add lamps > search
- 4 Power on the devices within 5 seconds after starting search in Hue app
- 5 If not all devices are found: power off devices and repeat from step 3 (no serial number available for direct commissioning)

Do not install on metal surfaces or in metal enclosures. Surrounding materials, obstructions (walls, concrete, metal,...) and other wireless signals can have a negative influence on the Zigbee wireless signal range. Always check on site circumstances for optimal signal quality.

WIRELESS CONNECTION - DRIVER RESET INSTRUCTION

Hold power on for 3 seconds, release, hold power off for 3 seconds. Hold power on for 5 seconds, release, hold power off for 5 seconds. Hold power on for 7 seconds, release, hold power off for 7 seconds. Short push power on and LED will flash to indicate that the reset procedure was completed successfully



CAN BE USED WITH

For latest version of driver matrix and available accessories check www.supermodular.com or connect with your sales contact.

SELV 60V



IP 20

