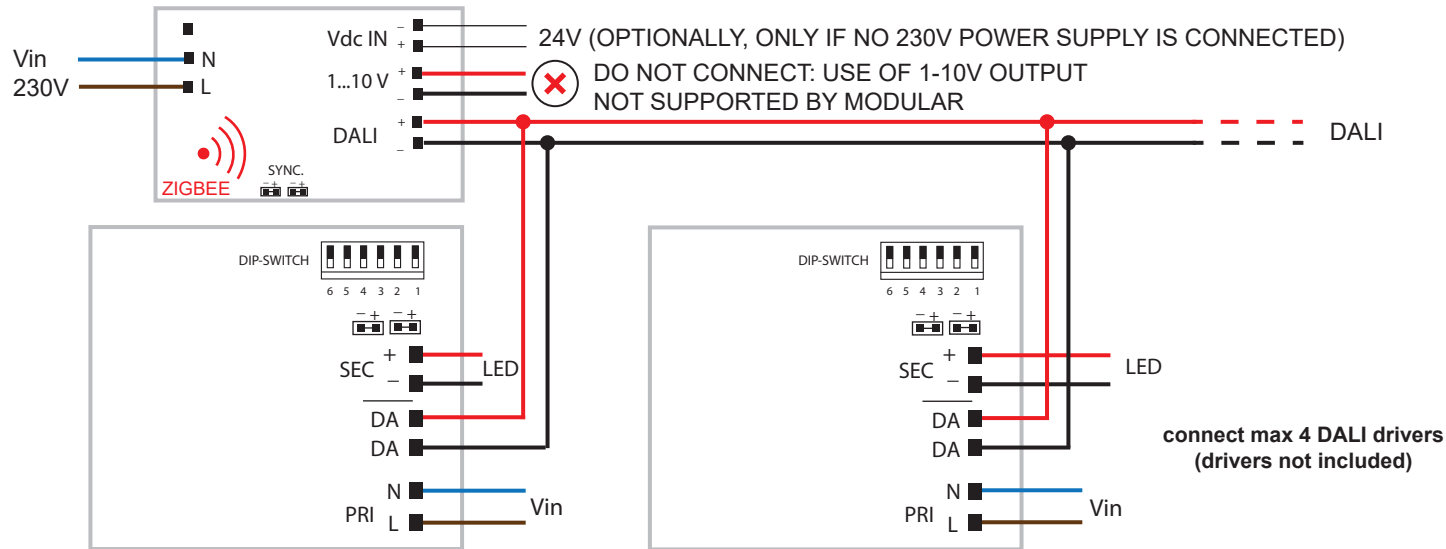


# ZigBee dali dim module

13630200



**Rated Voltage**  
100 ÷ 240V  
**Frequency**  
50...60 Hz  
**AC Operation range**  
90 ÷ 264 V

**DC Operation range**  
DC 176 ÷ 264 V  
DC 11,5 ÷ 25 V

**Temperature**  
Tc = 65°C  
Ta = -25...+50°C

**Dimming range**  
1%.....100%

**Standards compliance**  
EN 55015  
EN 61000-3-2  
EN 61347-1  
EN 61347-2-11  
EN 61547  
EN 62311  
ETSI EN 300 328  
ETSI EN 301 489-1  
ETSI EN 301 489-17

**Conductor cross section**  
0.5mm²...1.5mm²

**Conductor stripping length L/N**  
5mm

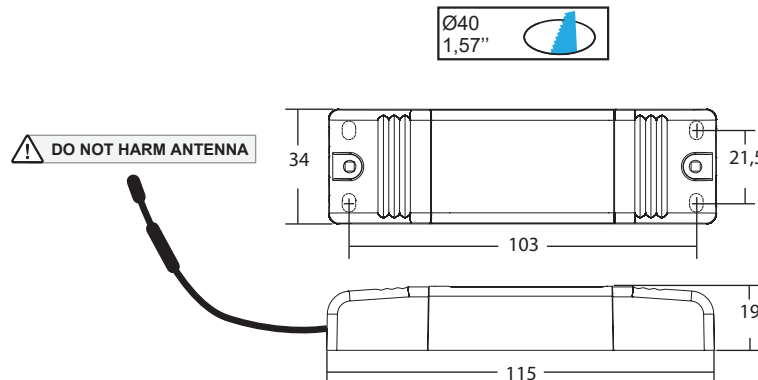
**Conductor stripping length DALI**  
6mm

ADVISED TO ADD DEVICES IN APP PRIOR TO INSTALLATION

## WIRELESS CONNECTION - QUICK START GUIDE

- 1 Plug in the Hue bridge and connect to your Wi-Fi router
- 2 Download the Philips Hue app and follow the instructions
- 3 Open the Philips Hue app and go to settings > lamp configuration > add lamps > search
- 4 Power on the devices within 5 seconds after starting search in Hue app
- 5 If not all devices are found: power off devices and repeat from step 3 (no serial number available for direct commissioning)

Do not install on metal surfaces or in metal enclosures. Surrounding materials, obstructions (walls, concrete, metal,...) and other wireless signals can have a negative influence on the Zigbee wireless signal range. Always check on site circumstances for optimal signal quality.



## CAN BE USED WITH

For latest version of driver matrix and available accessories check [www.supermodular.com](http://www.supermodular.com) or connect with your sales contact.

