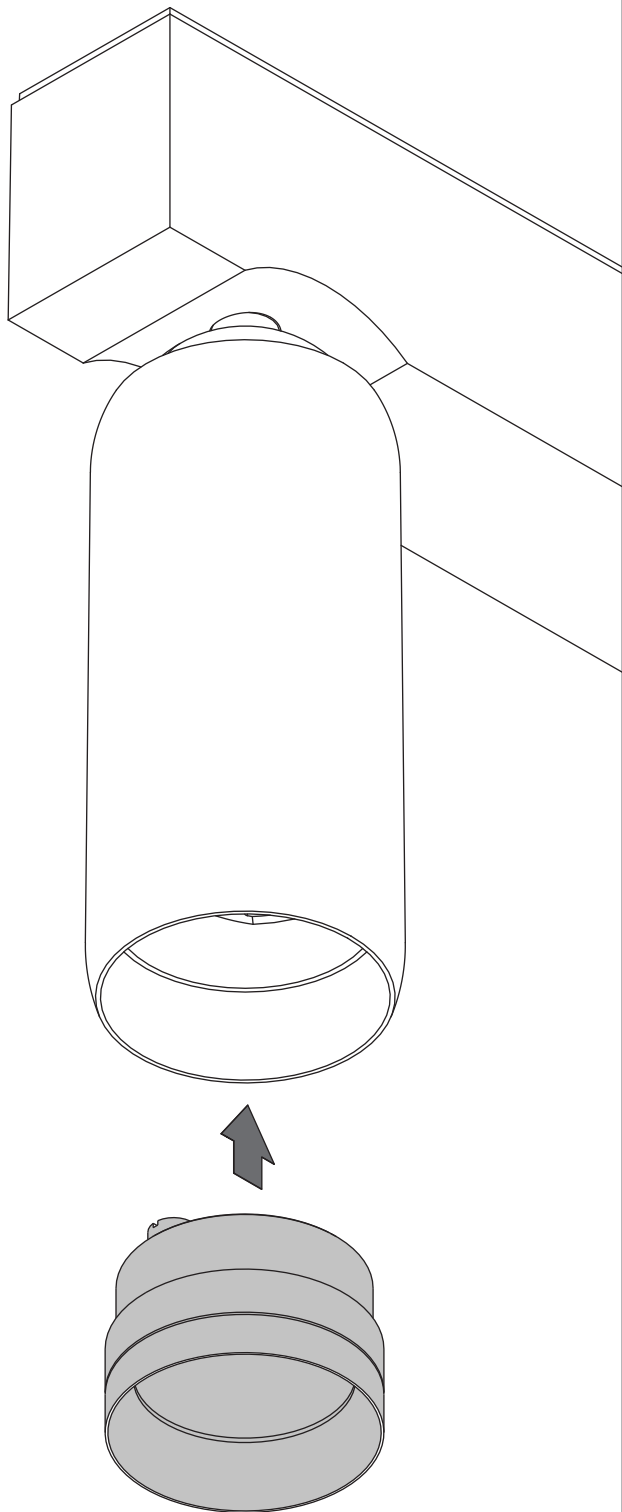


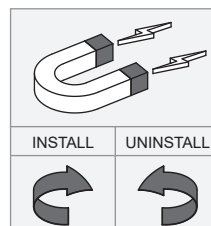
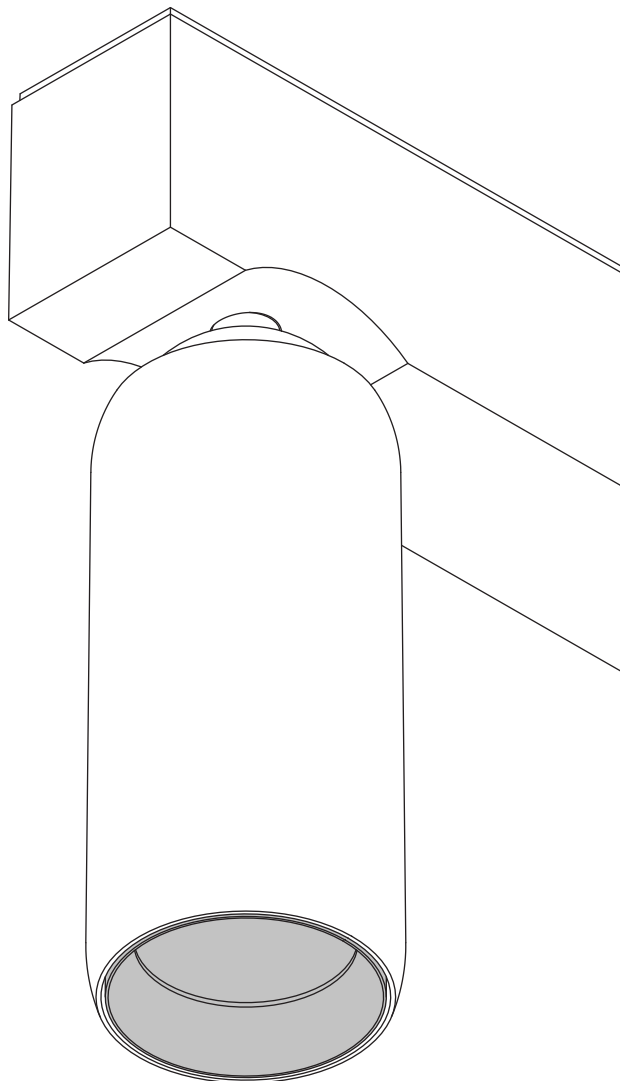
Magnetic Reflector Ø51 LED

10219930_10220030_10220130_10220230_10220330

1



2



Replace protective shield when broken. The luminaire shall only be used complete with its protective shield.
Reference number: 1010754



LIGHT SOURCE - DO NOT TOUCH LED

Touching the LED can result in permanent damage of the light source. The light source contained in this luminaire shall only be replaced by the manufacturer or his service agent or a similar qualified person.



PREVENTING ELECTROSTATIC DAMAGE

A discharge of static electricity may damage sensitive components. Therefore do not touch the LED nor the stripped parts of the wires with bare hands. Always be properly insulated by using ESD gloves.