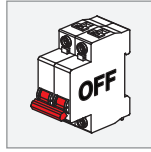




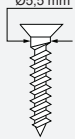
1 REMOVE COVER AND MOUNT ON CEILING

220-230V
50-60Hz
N ⊕ L

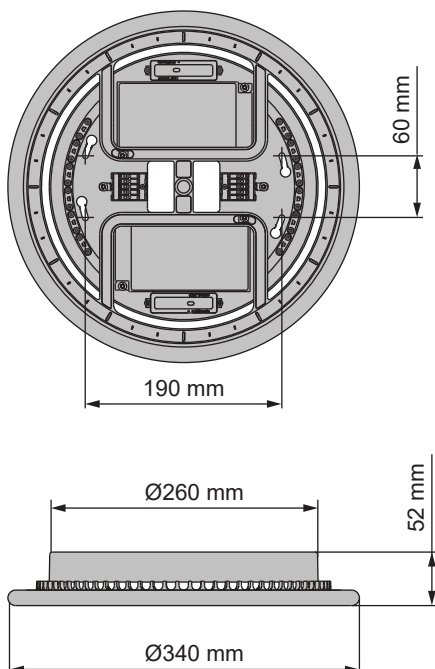
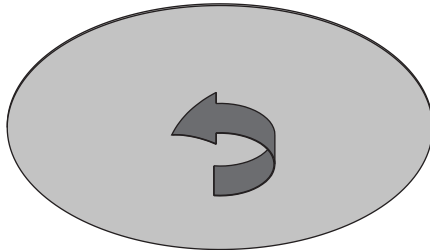
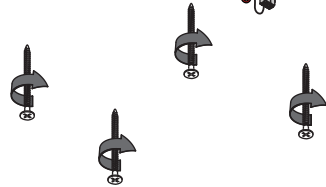
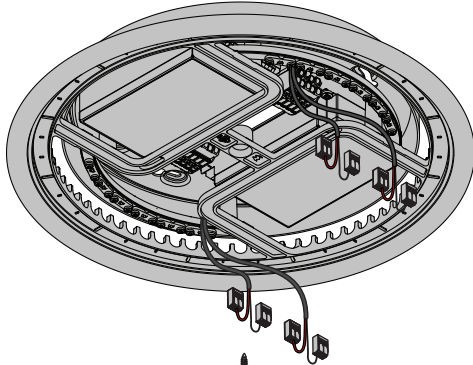


SCREWS NOT INCLUDED

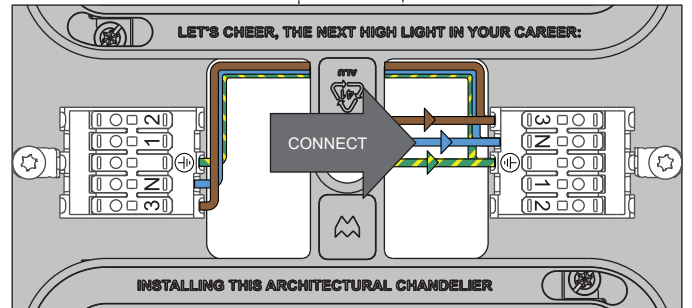
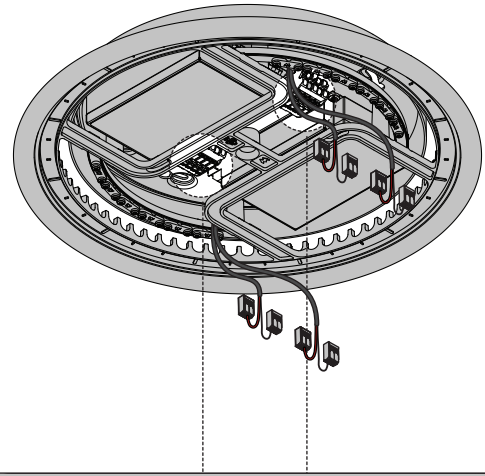
max Ø5.5 mm



max Ø9.5 mm

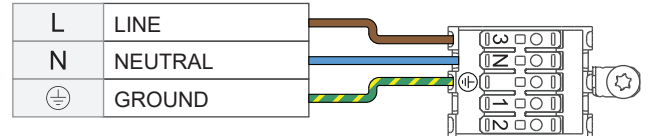


2 CONNECT PRIMARY WIRES



INSTALLING THIS ARCHITECTURAL CHANDELIER

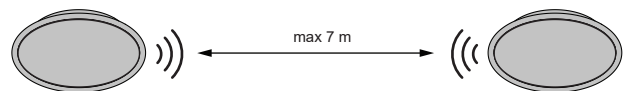
9mm
0.5 - 2.5mm²
20 - 14 AWG



CASAMBI

www.casambi.com

Connect fixture to a Casambi network by using the Casambi App which can be downloaded from iOS App Store or Google Play Store.



Surrounding materials, obstructions (walls, concrete, metal,...) and other wireless signals can have a negative influence on the casambi wireless signal range. Always check on site circumstances for optimal signal quality.



PREVENTING ELECTROSTATIC DAMAGE

A discharge of static electricity may damage sensitive components. Therefore do not touch the LED nor the stripped parts of the wires with bare hands. Always be properly insulated by using ESD gloves.

Kompas Ceiling Base Ø340 350mA / 500mA 100W CASAMBI

135714XX_135715XX

3 CHECK MAX FIXTURES TOTAL \ LED OUTPUT		350mA		500mA		
Fixture for Kompas	Extra	Includes 2 drivers Specs per driver: 50W 1.5 - 55 Vf 350mA		Includes 2 drivers Specs per driver: 50W 1.5 - 55 Vf 500mA		
		Max Fixtures Total	Max Fixtures Per LED Output In Series	Max Fixtures Total	Max Fixtures Per LED Output In Series	
MONOCOLOR	Extruded GE	12	3	8	2	
	Marbul Susp Fix	12	3	8	2	
	Marbul Susp Adj	12	3	8	2	
	Minude	12	3	8	2	
	Placebo Down	12	3	not compatible use 350mA version		
	Placebo Up	12	3			
	Smart Ball 82	+ Smart 82	12	3	8	2
		+ Smart 82 Adjustable				
	Smart Ball 115	+ Smart 115	4	1	4	1
		+ Smart 115 Adj	12	3	8	2
	Smart Tubed Suspension 48 GE	+ Smart 48	use 50W version		use 50W version	
+ Smart 48+		12				
Smart Tubed Suspension 82 L / XL GE	+ Smart 82	12	3	8	2	
	+ Smart 82 Adj					
Smart Tubed Suspension 115 GE	+ Smart 115	4	1	4	1	
	+ Smart 115 Adj	12	3	8	2	
WARM DIM	Extruded WD GE	8	2	not compatible use 350mA version		
	Marbul Susp Fix Warm Dim	4	1			
	Marbul Susp Adj Warm Dim	4	1			
	Placebo Down Warm Dim	8	2			
	Placebo Up Warm Dim					
	Smart Ball 82	+ Smart 82 Warm Dim	12			3
		+ Smart 82 Adj Warm Dim				
	Smart Ball 115	+ Smart 115 Adj Warm Dim	4			1
	Smart Tubed Suspension 48 GE	+ Smart 48 Warm Dim	-			-
Smart Tubed Suspension 82 L / XL GE	+ Smart 82 Warm Dim	12	3			
	+ Smart 82 Adj Warm Dim					
Smart Tubed Suspension 115 GE	+ Smart 115 Adj Warm Dim	4	1			

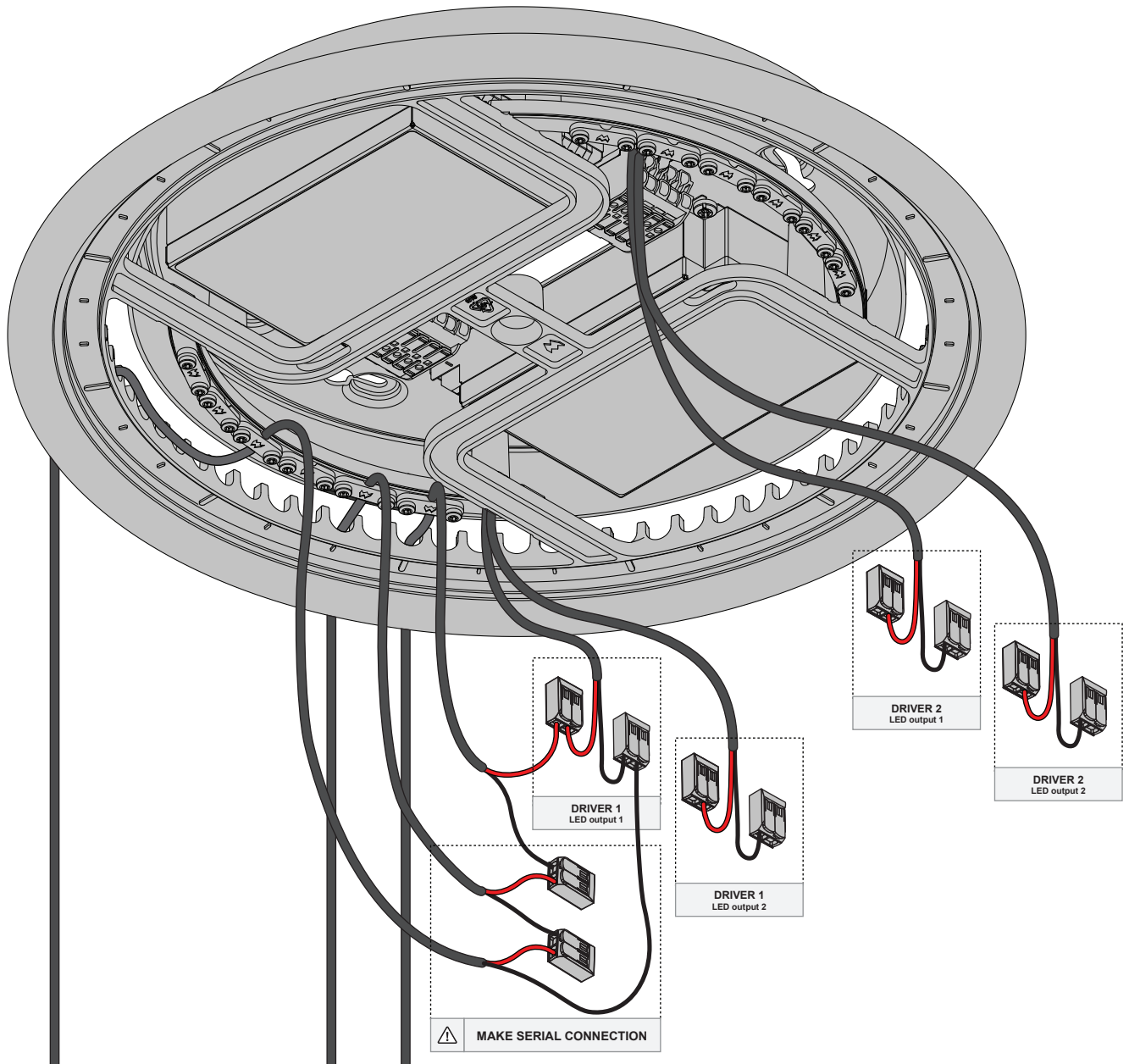
4 CONNECT FIXTURES FOR KOMPAS

4.A LOOSEN STRAIN RELIEF

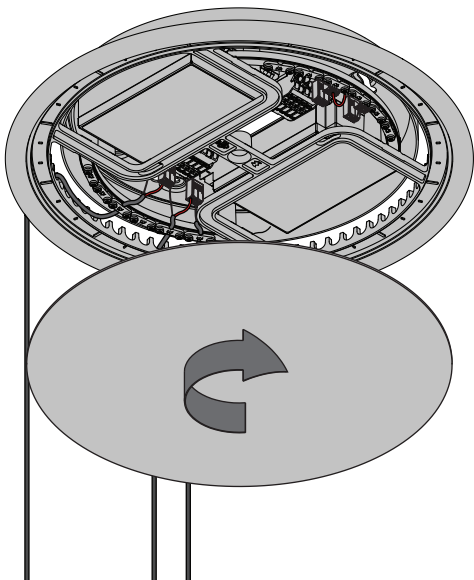
4.B GUIDE CABLE

4.C FIX STRAIN RELIEF

5 CONNECT SECONDARY WIRES - SERIAL CONNECTION



6 CLOSE COVER



7 FINISHED

