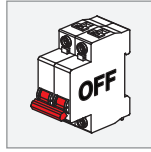




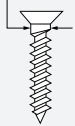
## 1 REMOVE COVER AND MOUNT ON CEILING

220-230V  
50-60Hz  
N ⊕ L

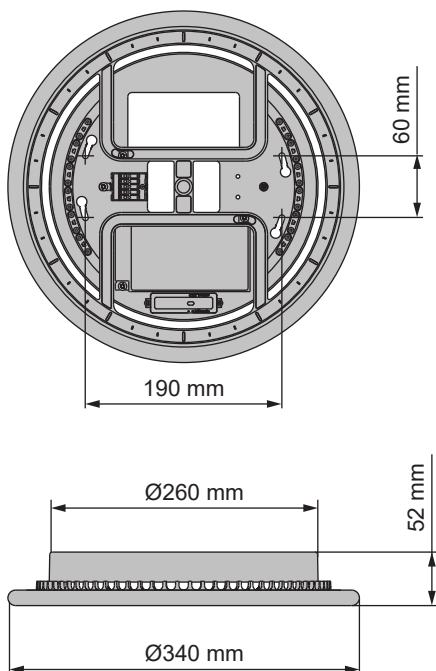
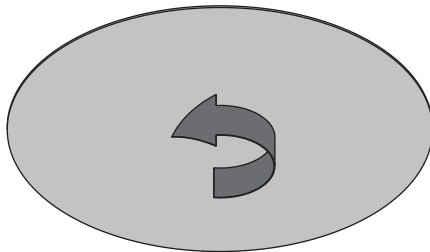
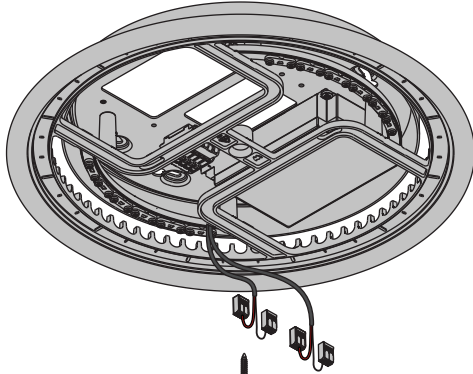


SCREWS NOT INCLUDED

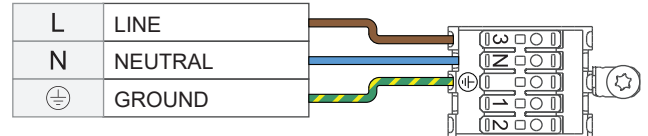
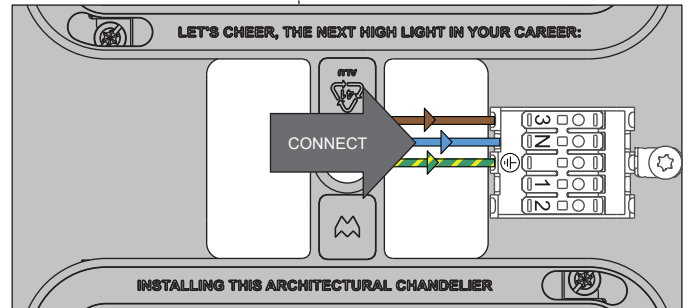
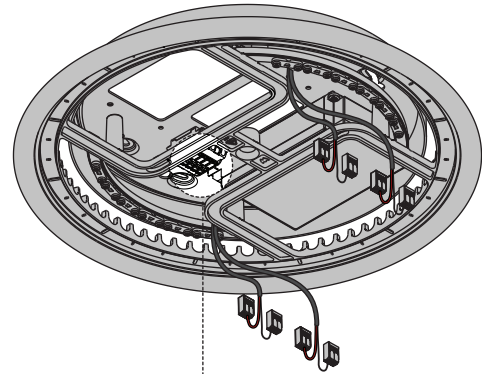
max  
Ø5.5 mm



max  
Ø9.5 mm



## 2 CONNECT PRIMARY WIRES

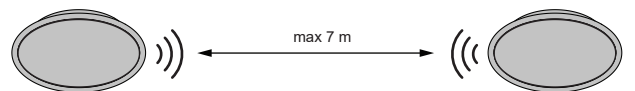


9mm  
0.5 - 2.5mm<sup>2</sup>  
20 - 14 AWG

## CASAMBI

[www.casambi.com](http://www.casambi.com)

Connect fixture to a Casambi network by using the Casambi App which can be downloaded from iOS App Store or Google Play Store.



Surrounding materials, obstructions (walls, concrete, metal,...) and other wireless signals can have a negative influence on the casambi wireless signal range. Always check on site circumstances for optimal signal quality.



### PREVENTING ELECTROSTATIC DAMAGE

A discharge of static electricity may damage sensitive components. Therefore do not touch the LED nor the stripped parts of the wires with bare hands. Always be properly insulated by using ESD gloves.

# Kompas Ceiling Base Ø340 350mA / 500mA 50W CASAMBI

135716XX\_135717XX

3 CHECK MAX FIXTURES TOTAL \ LED OUTPUT						
	Fixture for Kompas	Extra	350mA		500mA	
			Includes 1 driver 50W   1.5 - 55 Vf   350mA		Includes 1 driver 50W   1.5 - 55 Vf   500mA	
			Max Fixtures Total	Max Fixtures Per LED Output In Series	Max Fixtures Total	Max Fixtures Per LED Output In Series
<b>MONOCOLOR</b>	Extruded GE		6	3	4	2
	Marbul Susp Fix		6	3	4	2
	Marbul Susp Adj		6	3	4	2
	Minude		6	3	4	2
	Placebo Down	+ optional shade	6	3	not compatible use 350mA version	
	Placebo Up		6	3		
	Smart Ball 82	+ Smart 82 + Smart 82 Adjustable	6	3	4	2
	Smart Ball 115	+ Smart 115	2	1	2	1
		+ Smart 115 Adj	6	3	4	2
	Smart Tubed Suspension 48 GE	+ Smart 48	12	6	12	6
+ Smart 48+		12	6	10	5	
Smart Tubed Suspension 82 L / XL GE	+ Smart 82	6	3	4	2	
	+ Smart 82 Adj					
Smart Tubed Suspension 115 GE	+ Smart 115	2	1	2	1	
	+ Smart 115 Adj	6	3	4	2	
<b>WARM DIM</b>	Extruded WD GE		4	2	not compatible use 350mA version	
	Marbul Susp Fix Warm Dim		2	1		
	Marbul Susp Adj Warm Dim		2	1		
	Placebo Down Warm Dim	+ optional shade	4	2		
	Placebo Up Warm Dim		4	2		
	Smart Ball 82	+ Smart 82 Warm Dim	6	3		
		+ Smart 82 Adj Warm Dim				
	Smart Ball 115	+ Smart 115 Adj Warm Dim	2	1		
	Smart Tubed Suspension 48 GE	+ Smart 48 Warm Dim	-	-		
	Smart Tubed Suspension 82 L / XL GE	+ Smart 82 Warm Dim	6	3		
+ Smart 82 Adj Warm Dim						
Smart Tubed Suspension 115 GE	+ Smart 115 Adj Warm Dim	2	1			

4 CONNECT FIXTURES FOR KOMPAS

4.A LOOSEN STRAIN RELIEF

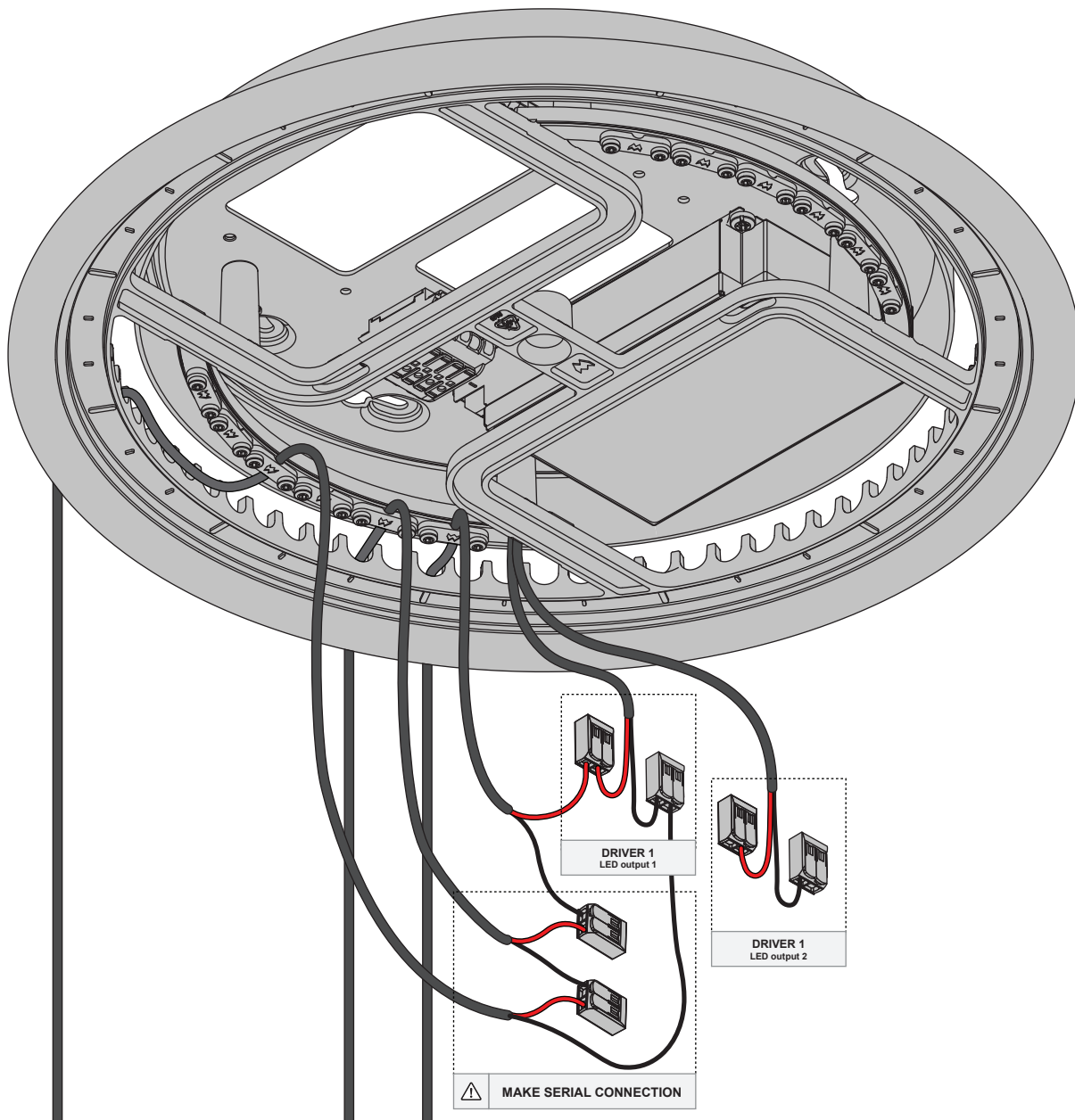
4.B GUIDE CABLE

4.C FIX STRAIN RELIEF

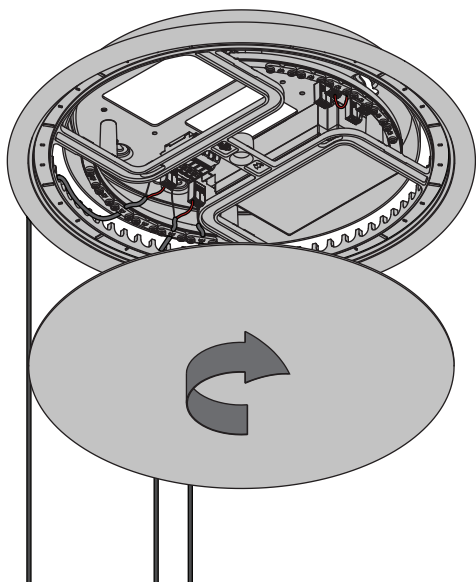
# Kompas Ceiling Base Ø340 350mA / 500mA 50W CASAMBI

135716XX\_135717XX

## 5 CONNECT SECONDARY WIRES - SERIAL CONNECTION



## 6 CLOSE COVER



## 7 FINISHED

