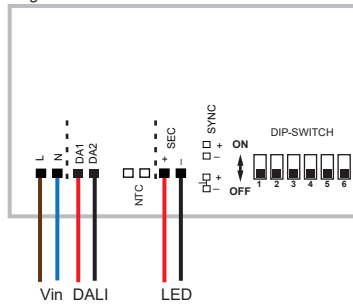


LED Gear 250-700mA 15-32W DALI AM

12408130



DALI diagram



250mA	12W (12W ⁽²⁾)	10-48Vdc	ON OFF	1 2 3 4
350mA	17W (15W ⁽²⁾)	5-48Vdc	ON OFF	1 2 3 4
500mA	24W (15W ⁽²⁾)	5-48Vdc	ON OFF	1 2 3 4
700mA	32W (15W ⁽²⁾)	3-46Vdc	ON OFF	1 2 3 4

Operating Mode

- Features DALI dimming (0/0,5 - 100%):
memory function for sets or light groups
recall of stored functions
compatible with standard DALI interfaces
- DALI-2 approved
- Full AM DIMMING: 1-100%, compatible with Modular warmdim LED fixtures

Rated Voltage

110 ÷ 127 V⁽²⁾
220 ÷ 240 V

Frequency

50...60 Hz

AC Operation range

99 ÷ 264 V

DC Operation range

DC 170 ÷ 280 V

Power

1 ÷ 32 W

Temperature

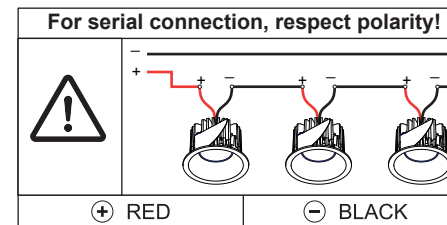
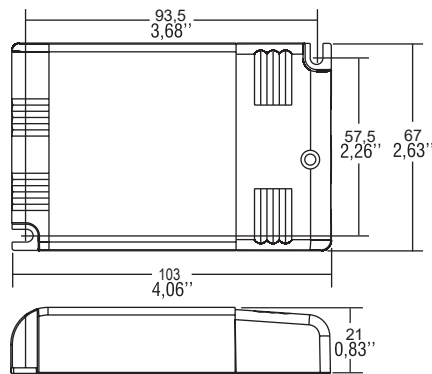
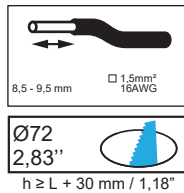
T_c = 75°C
T_a = -25...+50°C

max. Efficiency

> 87⁽¹⁾

Maximum current

output ripple
≤ 3%⁽¹⁾



CAN BE USED WITH
Fixtures:
see driver matrix - latest version on website
www.supermodular.com or check sales contact

⁽¹⁾ Referred to V_{in} = 230V, 100% load

⁽²⁾ Rated Voltage 110 ÷ 127 V

