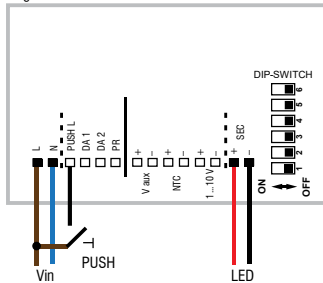


LED Gear 350-1050mA 25-60W 1-10/PD/DALI WD

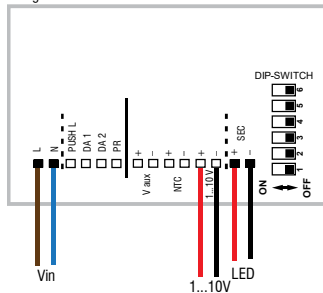
12406530



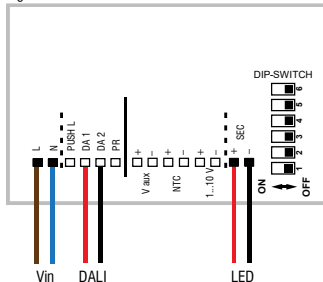
PUSH diagram



1...10V diagram



DALI diagram



350mA	25W (25W ⁽²⁾)	2-74Vdc	ON OFF	1 2 3 4 5 6
500mA	35W (35W ⁽²⁾)	2-72Vdc	ON OFF	1 2 3 4 5 6
700mA	50W (40W ⁽²⁾)	2-72Vdc	ON OFF	1 2 3 4 5 6
900mA	60W (40W ⁽²⁾)	2-66Vdc	ON OFF	1 2 3 4 5 6
1050mA	60W (40W ⁽²⁾)	2-57Vdc	ON OFF	1 2 3 4 5 6

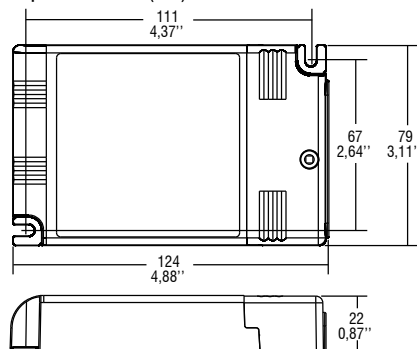
FUNCTION OF PR TERMINAL

Sometimes there are some glowing effects due to the leakage current produced by combination of wires and metal surface. Thanks to connection between PR terminal and ground it is possible to reduce or eliminate this effect.

PR/SEC 6 - 7 mm	□ 0,75 - 2,5mm ² 26-14AWG
1...10V/NTC/Vaux 4,5 - 5,5 mm	□ 0,75 - 1,5mm ² 20-18AWG
PUSH L/DA/PR 8 - 9 mm	□ 0,75 - 1,5mm ² 20-18AWG

Ø84
3,31"
h ≥ L + 30 mm / 1,18"

Compatible with ZHAGA (AM3)



Operating Mode

- Light regulation 0/0,5 - 100% by means of PUSH function, 1...10V interface (I=1mA) or 100 Kohm potentiometer and DALI
- Features DALI dimming:
 - memory function for sets or light groups
 - recall of stored functions
 - compatible with standard DALI interfaces
- Features PUSH dimming: (mains voltage)
 - a short push to turn on and off
 - a longer push to increase or decrease light intensity
 - regulation automatically stops at minimum or maximum values
 - for another on regulation or off command, release the push button and give the desired command again
- Possibility to use PUSH function to 4/5 drivers
- Maximum length of the cable, from the push button to last driver, must be max. 15 m / 49 ft. In case of application where the cable is longer keep this separate from the 110-240 Volt mains cable.
- ATTENTION: only use normally open push buttons with no incorporated warning light
- Specific dimming terminal connection with a 1...10Vdc electronic potentiometer (1...10V local dimming, double insulation required for external connection).
- PUSH re-synchronization: when the drivers are switched on, press the PUSH key for more than 1 second (long PUSH) followed with a short push (<1s). now the devices are switched off, do a long PUSH, the system will now be resynchronized.
- Short circuit 1...10V port for at least 5 seconds to reset the device to ON/OFF & 1...10V modes
- Connect PR terminal to ground to prevent glowing
- Full AM dimming - compatible with Modular warm dim fixtures

Rated Voltage

110 ÷ 127 V⁽²⁾
220 ÷ 240 V

Frequency

50...60 Hz

AC Operation range

99 ÷ 264 V

DC Operation range

DC 170 ÷ 276 V
(NO PUSH mode function)

Power

0 ÷ 60 W

Temperature

Tc = 90°C
Ta = -25...+50°C

max. Efficiency

> 92⁽¹⁾

Maximum current output ripple

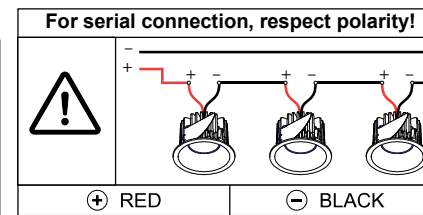
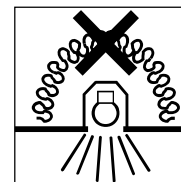
≤ 3%⁽¹⁾

Reference Norms

- CSA C22.2 no. 107.1⁽²⁾
- CSA C22.2 no. 250.13⁽²⁾
- EN 50172 (VDE 0108)
- EN 61000-3-2
- EN 61000-3-3
- EN 61347-1
- EN 61347-2-13
- EN 61547
- EN 62384
- EN 62386-101
- EN 62386-102
- EN 62386-207
- UL 1012⁽²⁾ / UL 8750⁽²⁾

CAN BE USED WITH

Fixtures:
see driver matrix - latest version on website
www.supermodular.com or check sales contact



⁽¹⁾ Referred to V_{in} = 230V, 100% load

⁽²⁾ Rated Voltage 110 ÷ 127 V

