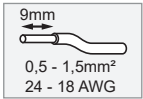
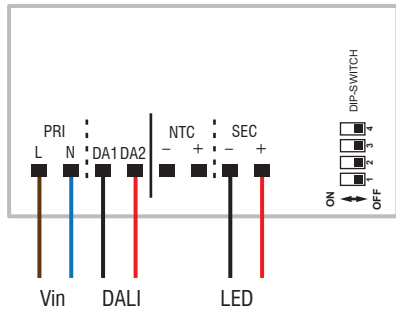


LED Driver 250m-700mA 10-20W DALI AM

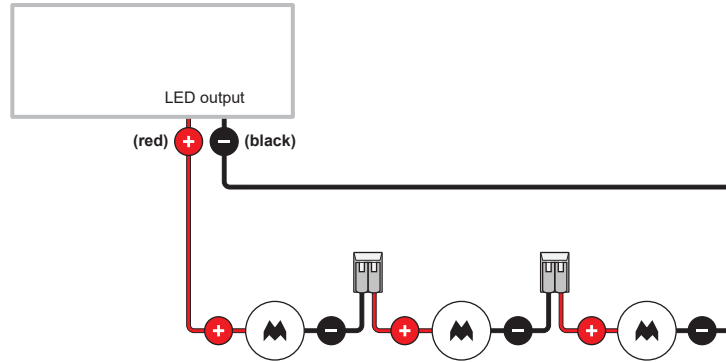
12407930

WIRING DIAGRAM



! SERIAL CONNECTION, RESPECT POLARITY

DRIVER WITH 1 x LED OUTPUT



ELECTRICAL CHARACTERISTICS

NOMINAL INPUT VOLTAGE RANGE AC

110 - 127 V ⁽²⁾
220 - 240 V

INPUT FREQUENCY RANGE

50...60HZ

DC OPERATING RANGE

176 - 280 V

MAXIMUM OUTPUT POWER

1 - 20 W

TEMPERATURE

T_c = 75°C
T_a = -25 ...+45°C

EFFICIENCY AT FULL LOAD

87%

TYPICAL CURRENT OUTPUT RIPPLE

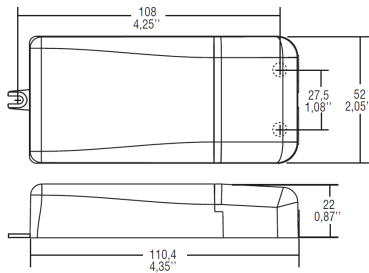
≤ 3%

MAXIMUM DRIVERS ON MCB 16A TYPE B

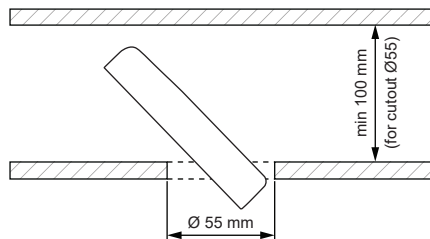
50

Technical datasheet available on request

DIMENSIONS



MINIMUM HEIGHT TO TILT IN DRIVER



OPERATING WINDOW

OPERATING WINDOW

250mA	12W (12W ⁽²⁾)	15-49 Vdc
350mA	17W (15W ⁽²⁾)	10-49 Vdc
500mA	20W (15W ⁽²⁾)	5-40 Vdc
700mA	20W (15W ⁽²⁾)	3-28 Vdc

OPERATING MODE

- Features DALI dimming (0/0,5 - 100%): memory function for sets or light groups recall of stored functions compatible with standard DALI interfaces
- DALI-2 approved
- Full AM DIMMING: 1 - 100%, compatible with Modular warmdim LED fixtures

⁽¹⁾ Referred to Vin = 230V, 100% load

⁽²⁾ Rated Voltage 110 + 127 V

FIXTURES & ACCESSORIES

For latest version of driver matrix and available accessories check www.supermodular.com or connect with your sales contact.

