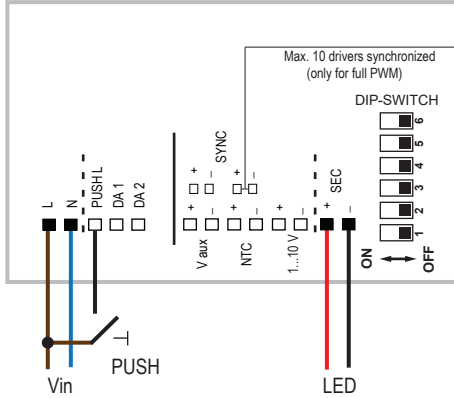


LED driver 250-700mA 30-50W 0/1-10V/pushdim/dali AM

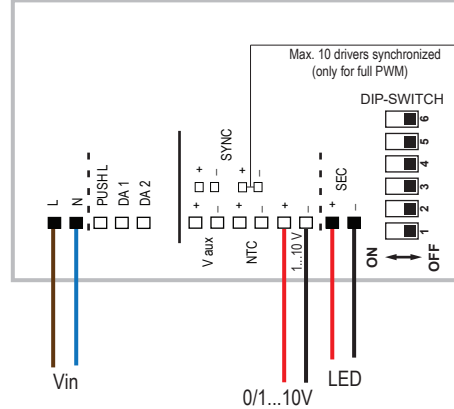
12408330

WIRING DIAGRAM

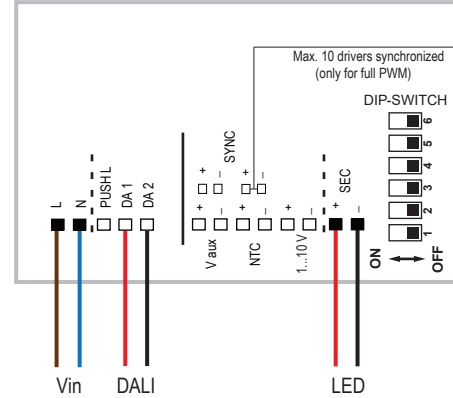
PUSH diagram



0/1...10V diagram

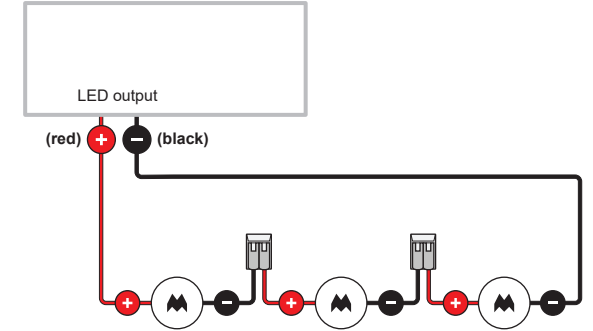


DALI diagram

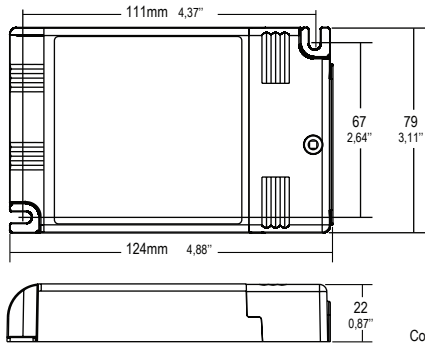


! SERIAL CONNECTION, RESPECT POLARITY

DRIVER WITH 1 x LED OUTPUT

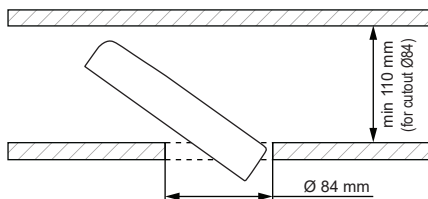


DIMENSIONS



PRI/SEC	0.75 - 2.5mm ²
6 - 7 mm	26 - 14 AWG
1-10V,NTC	0.75 - 2.5mm ²
4.5 - 5.5 mm	26 - 14 AWG
PushL,PR,DA	0.75 - 2.5mm ²
8 - 9 mm	26 - 14 AWG

MINIMUM HEIGHT TO TILT IN DRIVER



OPERATING WINDOW

250mA	28W (28W ⁽²⁾)	20 - 112 Vdc
350mA	39W (39W ⁽²⁾)	20 - 112 Vdc
500mA	56W (40W ⁽²⁾)	2 - 112 Vdc
700mA	60W (40W ⁽²⁾)	2 - 86 Vdc

OPERATING MODE

- Light regulation 1 - 100% by means of PUSH function, 0/1-10V interface (I=1mA) or 100KΩ potentiometer and DALI
- Features DALI dimming: Memory function for sets or light groups, recall of stored functions, compatible with standard DALI interfaces. DALI-2 approved.
- Features PUSH dimming: (mains voltage) a short push to turn on and off & a longer push to increase or decrease light intensity regulation automatically stops at minimum or maximum values. For another 'on' or 'off' command, release the push button and give the desired command again. Dimming level memory at mains restore.
- Possibility to use PUSH function to 4/5 drivers without sync cable
- Maximum length of the cable, from push button to last driver, must be max. 15 m / 49 ft. In case of applications where the cable is longer than 15 m / 49 ft, keep this separate from the 110 - 240 Volt mains cable.
- ATTENTION: only use normally open push buttons without incorporated warning light
- PUSH re-synchronization: when the drivers are switched on, press the PUSH key for more than 1 second (long PUSH) followed with a short push (<1s). now the devices are switched off, do a long PUSH, the system will now be resynchronized.
- Features 0/1 - 10 V dimming: Short circuit 1...10V port for at least 5 sec to reset the device to ON/OFF & 0/1-10V modes
- Specific dimming terminal connection with a 0/1...10 Vdc electronic potentiometer (0/1...10 V local dimming, double insulation required for external connection)
- Full AM DIMMING: 1-100%, compatible with Modular WarmDim LED fixtures
- Connect PR terminal to ground to prevent glowing

ELECTRICAL CHARACTERISTICS

NOMINAL INPUT VOLTAGE RANGE AC

220 - 240V (EUROPE)
110 - 127V (USA/CANADA)

INPUT FREQUENCY RANGE

50...60HZ

AC OPERATING RANGE

99 - 264 V

DC OPERATING RANGE

DC 170 - 276 V

MAXIMUM OUTPUT POWER

3 - 60W

TEMPERATURE

Tc = 90°C
Ta = -25...+50°C

MAX. EFFICIENCY

>92%⁽¹⁾

OUTPUT CURRENT RIPPLE

≤ 3%⁽¹⁾

MAXIMUM DRIVERS ON MCB 16A TYPE B

30

Technical datasheet available on request

FIXTURES & ACCESSORIES

For latest version of driver matrix and available accessories check www.supermodular.com or connect with your sales contact.

⁽¹⁾ Referred to Vin = 230V, 100% load
⁽²⁾ Rated Voltage 110 + 127 V

