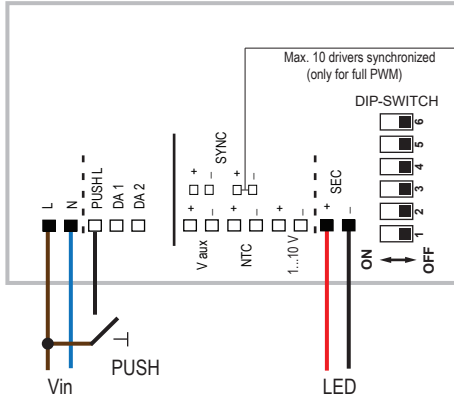


LED driver 250-700mA 28-60W 0/1-10/pushdim/dali

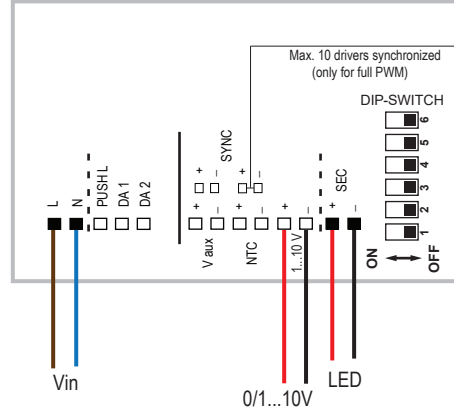
12407830

WIRING DIAGRAM

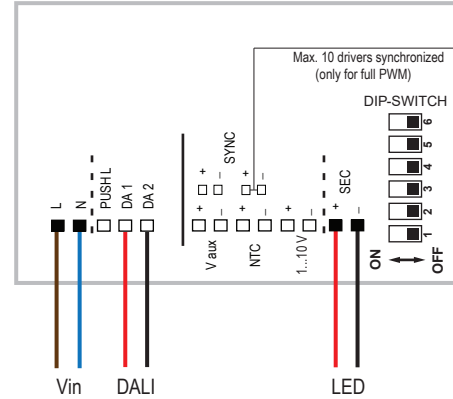
PUSH diagram



0/1...10V diagram

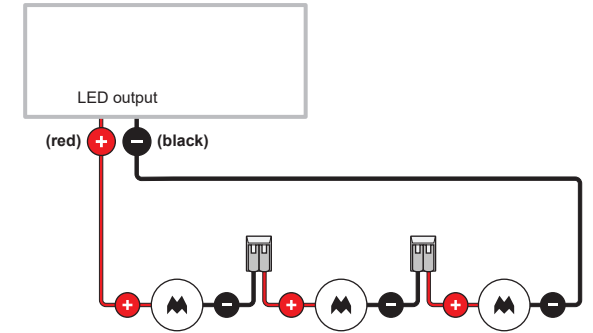


DALI diagram

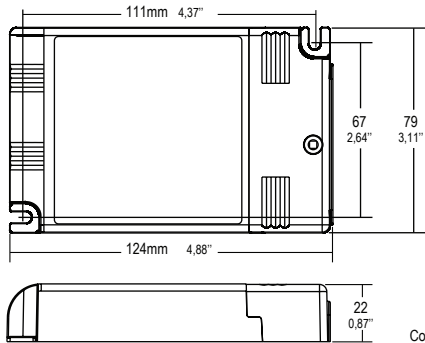


⚠ SERIAL CONNECTION, RESPECT POLARITY

DRIVER WITH 1 x LED OUTPUT

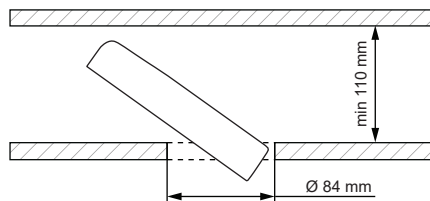


DIMENSIONS



PRI/SEC	0,75 - 2,5mm ²
6 - 7 mm	26 - 14 AWG
1-10V,NTC	0,75 - 2,5mm ²
4.5 - 5.5 mm	26 - 14 AWG
PushL,PR,DA	0,75 - 2,5mm ²
8 - 9 mm	26 - 14 AWG

MINIMUM HEIGHT TO TILT IN DRIVER



OPERATING WINDOW

350mA	39W (39W ⁽²⁾)	20 - 112 Vdc
500mA	56W (40W ⁽²⁾)	2 - 112 Vdc
700mA	60W (40W ⁽²⁾)	2 - 86 Vdc

OPERATING MODE

- Light regulation 0/1 - 100% by means of PUSH function, 0/1-10V interface (I=1mA) or 100kΩ potentiometer and DALI
- Features DALI dimming: Memory function for sets or light groups, recall of stored functions, compatible with standard DALI interfaces. Designed to work with DALI-2 systems.
- Features PUSH dimming: (mains voltage)
 - a short push to turn on and off & a longer push to increase or decrease light intensity
 - regulation automatically stops at minimum or maximum values. For another 'on' or 'off' command, release the push button and give the desired command again.
 - Possibility to use PUSH function to 4/5 drivers without sync cable
 - Maximum length of the cable, from push button to last driver, must be max. 15 m / 49 ft. In case of applications where the cable is longer than 15 m / 49 ft, keep this separate from the 110 - 240 Volt mains cable.
 - ATTENTION: only use normally open push buttons without incorporated warning light
 - Dimming level memory at mains restore.
 - PUSH re-synchronization: when the drivers are switched on, press the PUSH key for more than 1 second (long PUSH) followed with a short push (<1s). now the devices are switched off, do a long PUSH, the system will now be resynchronized.
- Features 0/1 - 10 V dimming:
 - Short circuit 1...10V port for at least 5 sec to reset the device to ON/OFF & 0/1-10V modes
 - Specific dimming terminal connection with a 0/1...10 Vdc electronic potentiometer (0/1...10 V local dimming, double insulation required for external connection)
- Hybrid dimming (AM+PWM):
 - Default dimming AM+PWM: 1-25% PWM 2kHz + 25-100% AM (no sync)
 - Full PWM dimming (240Hz 1-100%) available by short circuit of NTC port during switch on of the driver. Same operation to reset to AM+PWM
- Connect PR terminal to ground to prevent glowing
- Max. 10 drivers synchronization is possible, command only one driver (1 master + 9 slaves) - synchronization cable 4m is sepperately supplied (12400100). Only for full PWM dimming.

⁽¹⁾ Referred to Vin = 230V, 100% load
⁽²⁾ Rated Voltage 110 + 127 V

ELECTRICAL CHARACTERISTICS

NOMINAL INPUT VOLTAGE RANGE AC

220 - 240V (EUROPE)
 110 - 127V (USA/CANADA)

INPUT FREQUENCY RANGE

50...60HZ

AC OPERATING RANGE

99 - 264 V

DC OPERATING RANGE

DC 170 - 276 V

MAXIMUM OUTPUT POWER

3 - 60W

TEMPERATURE

Tc = 90°C
 Ta = -25...+50°C

MAX. EFFICIENCY

92%⁽¹⁾

OUTPUT CURRENT RIPPLE

≤ 3%⁽¹⁾

MAXIMUM DRIVERS ON MCB 16A TYPE B

30

Technical datasheet available on request

FIXTURES & ACCESSORIES

For latest version of driver matrix and available accessories check www.supermodular.com or connect with your sales contact.

