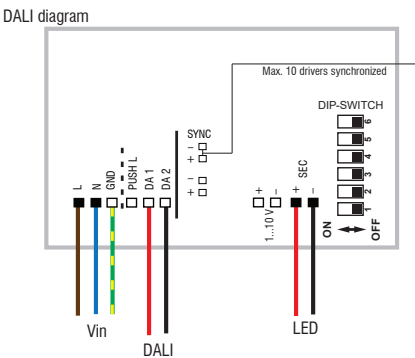
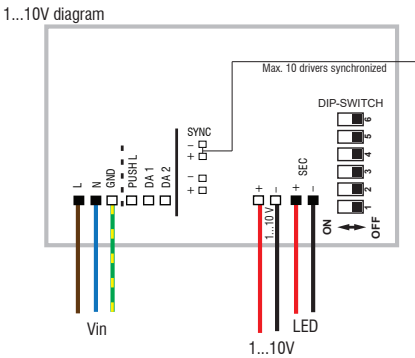
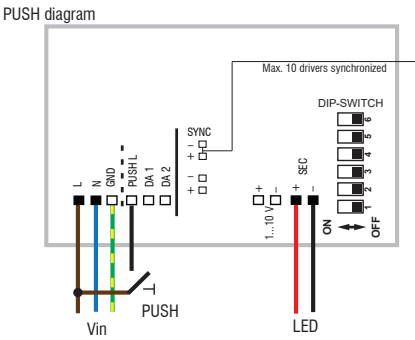
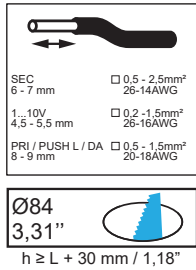


LED Gear 1050-2100mA 45-55W 1-10/PD/DALI

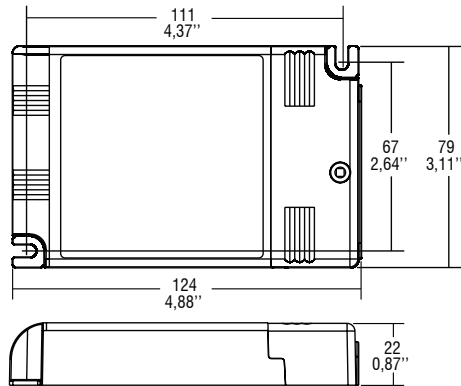
12404030



1050mA	45W (40W ⁽²⁾)	2-44Vdc	ON OFF	1 2 3 4 5 6
1200mA	52W (40W ⁽²⁾)	2-44Vdc	ON OFF	1 2 3 4 5 6
1400mA	55W (40W ⁽²⁾)	2-43Vdc	ON OFF	1 2 3 4 5 6
1600mA	55W (40W ⁽²⁾)	2-38Vdc	ON OFF	1 2 3 4 5 6
2100mA	55W (40W ⁽²⁾)	2-29Vdc	ON OFF	1 2 3 4 5 6



Compatible with ZHAGA (AM3)



Operating Mode

- Light regulation 0/0,5 - 100% by means of PUSH function, 1...10V interface (I=1mA) or 100 Kohm potentiometer and DALI
- Features DALI dimming:
 - memory function for sets or light groups
 - recall of stored functions
 - compatible with standard DALI interfaces
- Features PUSH dimming: (mains voltage)
 - a short push to turn on and off
 - a longer push to increase or decrease light intensity
 - regulation automatically stops at minimum or maximum values
 - for another on regulation or off command, release the push button and give the desired command again
- Possibility to use PUSH function to 4/5 drivers without sync cable
- Maximum length of the cable, from the push button to last driver, must be max. 15 m / 49 ft. In case of application where the cable is longer keep this separate from the 110-240 Volt mains cable.
- ATTENTION: only use normally open push buttons with no incorporated warning light
- Specific dimming terminal connection with a 1...10Vdc electronic potentiometer (1...10V local dimming, double insulation required for external connection).
- Max. 10 drivers synchronization is possible, command only one driver (1 master + 9 slaves) - synchronization cable 4m is separately supplied (12400100)
- PUSH re-synchronization: when the drivers are switched on, press the PUSH key for more than 1 second (long PUSH) followed with a short push (<1s). now the devices are switched off, do a long PUSH, the system will now be resynchronized.
- Short circuit 1...10V port for at least 5 seconds to reset the device to ON/OFF & 1...10V modes

Rated Voltage

110 ÷ 120 V⁽²⁾
220 ÷ 240 V

Frequency

50...60 Hz

AC Operation range

100 ÷ 264 V

DC Operation range

DC 170 ÷ 280 V
(NO PUSH mode function)

Power

0 ÷ 60 W

Temperature

T_c = 80°C
T_a = -25...+45°C

max. Efficiency

> 92⁽¹⁾

Maximum current

output ripple

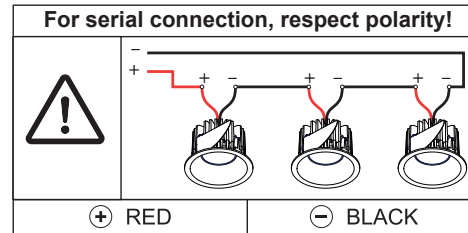
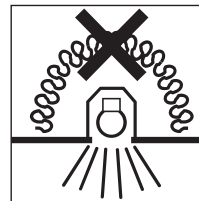
≤ 3%⁽¹⁾

Reference Norms

- CSA C22.2 no. 107.1⁽²⁾
- CSA C22.2 no. 250.13⁽²⁾
- EN 50172 (VDE 0108)
- EN 61000-3-2
- EN 61000-3-3
- EN 61347-1
- EN 61347-2-13
- EN 61547
- EN 62384
- EN 62386-101
- EN 62386-102
- EN 62386-207
- UL 1012⁽²⁾ / UL 8750⁽²⁾

CAN BE USED WITH

Fixtures:
see driver matrix - latest version on website
www.supermodular.com or check sales contact



⁽¹⁾ Referred to V_{in} = 230V, 100% load

⁽²⁾ Rated Voltage 110 ÷ 120 V