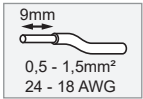
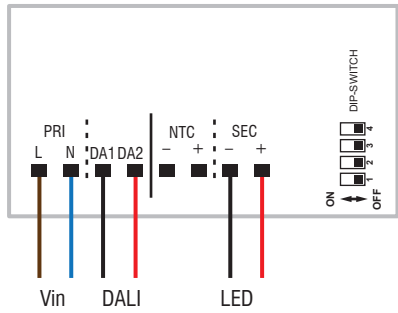


LED driver 250-700mA 10-20W DALI

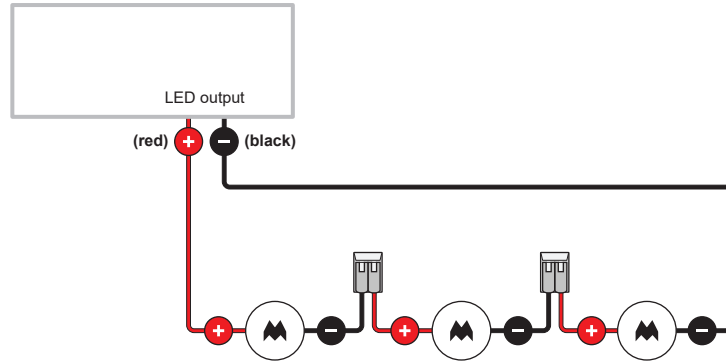
12407630

WIRING DIAGRAM



! SERIAL CONNECTION, RESPECT POLARITY

DRIVER WITH 1 x LED OUTPUT



ELECTRICAL CHARACTERISTICS

NOMINAL INPUT VOLTAGE RANGE AC

110 - 127 V ⁽²⁾
220 - 240 V

INPUT FREQUENCY RANGE

50...60HZ

DC OPERATING RANGE

176 - 280 V

MAXIMUM OUTPUT POWER

0 - 20 W

TEMPERATURE

T_c = 75°C
T_a = -25 ...+45°C

EFFICIENCY AT FULL LOAD

> 87% ⁽¹⁾

TYPICAL CURRENT OUTPUT RIPPLE

≤ 3% ⁽¹⁾

MAXIMUM DRIVERS ON MCB 16A TYPE B

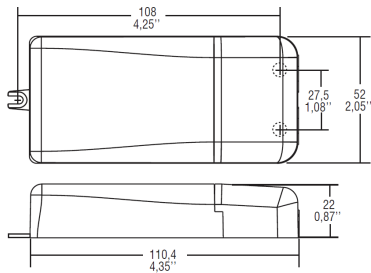
50

REFERENCE NORMS

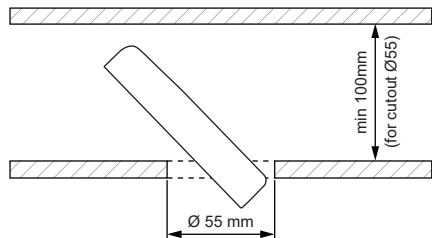
CSA C22.2 no. 223 ⁽²⁾
EN 50172 (VDE 0108)
EN 55015
EN 61000-3-2
EN 61000-3-3
EN 61347-1
EN 61347-2-13
EN 61547
EN 62384
EN 62386-101
EN 62386-102
EN 62386-207
UL 1310 ⁽²⁾
VDE 0710-T14

Technical datasheet available on request

DIMENSIONS



MINIMUM HEIGHT TO TILT IN DRIVER



OPERATING WINDOW

OPERATING WINDOW

350mA	17W (15W ⁽²⁾)	2-49 Vdc
500mA	20W (15W ⁽²⁾)	2-40 Vdc
700mA	20W (15W ⁽²⁾)	2-28 Vdc
24V	16W (15W ⁽²⁾)	700mA max

OPERATING MODE

- Features DALI dimming (0/0,5 - 100%):
memory function for sets or light groups recall of stored functions compatible with standard DALI interfaces
- DALI-2 approved
- Default dimming AM+PWM: 1 - 25% PWM 2kHz + 25-100% AM
- Full PWM dimming (240 Hz - 1-100%) available by short circuit of NTC port during switch on of the driver. Same operation to reset to AM+PWM

⁽¹⁾ Referred to Vin = 230V, 100% load

⁽²⁾ Rated Voltage 110 + 127 V

FIXTURES & ACCESSORIES

For latest version of driver matrix and available accessories check www.supermodular.com or connect with your sales contact.

