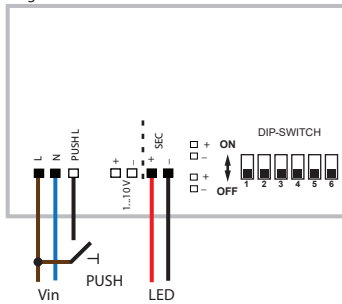


LED Gear 250-900mA 13-32W 1-10/PD AM

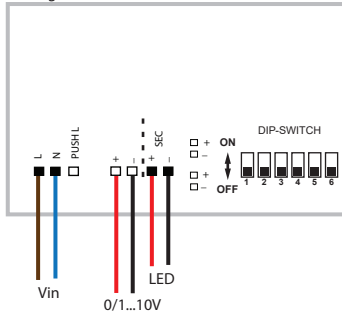
12408230



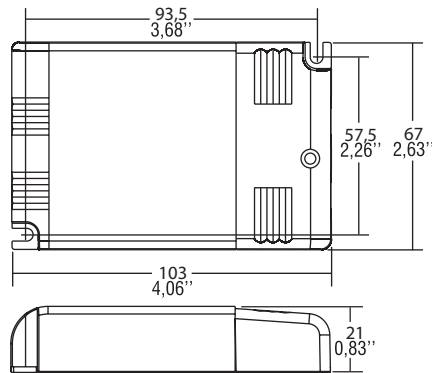
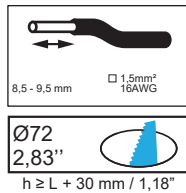
PUSH diagram



0/1...10V diagram



250mA	13W (13W ⁽²⁾)	15-53Vdc	ON OFF	1 2 3 4
350mA	18W (15W ⁽²⁾)	10-53Vdc	ON OFF	1 2 3 4
500mA	25W (15W ⁽²⁾)	2-50Vdc	ON OFF	1 2 3 4
700mA	32W (15W ⁽²⁾)	2-46Vdc	ON OFF	1 2 3 4



Operating Mode

- Light regulation 0/0,5 - 100% by means of PUSH function, 1...10V interface ($I=0,35mA$) or 100 Kohm potentiometer
- Features PUSH dimming: (mains voltage)
 - a short push to turn on and off
 - a longer push to increase or decrease light intensity
 - regulation automatically stops at minimum or maximum values
 - for another on regulation or off command, release the push button and give the desired command again
- Possibility to use PUSH function to 4/5 drivers without sync cable
- Maximum length of the cable, from the push button to last driver, must be max. 15 m / 49 ft. In case of application where the cable is longer keep this separate from the 110-240 Volt mains cable.
- ATTENTION: only use normally open push buttons with no incorporated warning light
- Specific dimming terminal connection with a 1...10Vdc electronic potentiometer (1...10V local dimming, double insulation required for external connection).
- Short circuit 1...10V port for at least 5 seconds to reset the device to ON/OFF & 1...10V modes
- Full AM DIMMING: 1-100%

Rated Voltage

110 ÷ 127 V⁽²⁾
220 ÷ 240 V

Frequency

50...60 Hz

AC Operation range

99 ÷ 264 V

DC Operation range

DC 176 ÷ 280 V
(NO PUSH mode function)

Power

1 ÷ 33 W

Temperature

T_c = 75°C
T_a = -25...+45°C

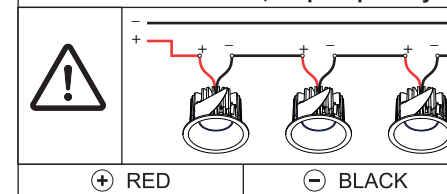
max. Efficiency

> 88⁽¹⁾

Maximum current output ripple

≤ 3%⁽¹⁾

For serial connection, respect polarity!



CAN BE USED WITH
Fixtures:
see driver matrix - latest version on website
www.supermodular.com or check sales contact

⁽¹⁾ Referred to V_{in} = 230V, 100% load

⁽²⁾ Rated Voltage 110 ÷ 127 V

