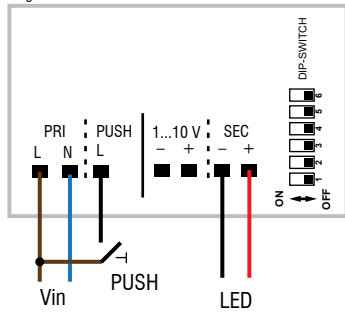


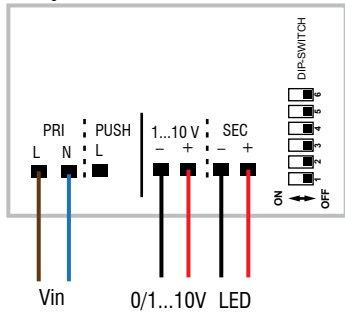
LED Gear 250-900mA 13-20W 1-10/PD

12407730

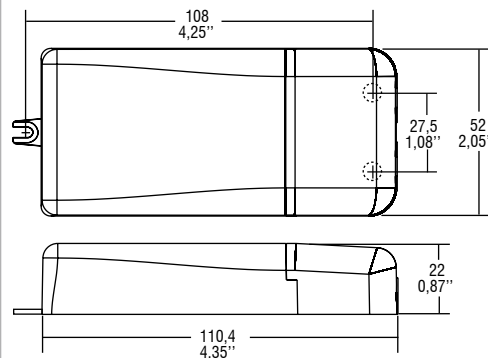
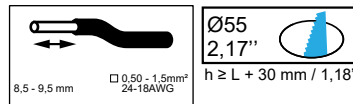
PUSH diagram



0/1...10 V diagram



350mA	18W (15W ⁽²⁾)	15-50Vdc	ON OFF	1 2 3 4 5 6
500mA	20W (15W ⁽²⁾)	5-40Vdc	ON OFF	1 2 3 4 5 6
700mA	20W (15W ⁽²⁾)	3-29Vdc	ON OFF	1 2 3 4 5 6
900mA	20W (15W ⁽²⁾)	3-23Vdc	ON OFF	1 2 3 4 5 6



Operating Mode

- Light regulation 0/0,5 - 100% by means of 0/1...10V interface (I=0,35mA) or 100 Kohm potentiometer.
- Light regulation 0/0,5 - 100% by means of PUSH function (L mains voltage: 170Kohm):
 - a short push to turn on and off
 - a longer push to increase or decrease light intensity
 - regulation automatically stops at minimum or maximum values for another on regulation or off command, release the push button and give the desired command again
- Maximum length of the cable, from the push button to last driver, must be max. 15 m / 49 ft. In case of application where the cable is longer keep this separate from the 110-240 Volt mains cable.
- ATTENTION: only use normally open push buttons with no incorporated warning light
- Specific dimming terminal connection with a 0/1...10Vdc electronic potentiometer (0/1...10V local dimming, double insulation required for external connection).
- PUSH re-synchronization: when the drivers are switched on, press the PUSH key for more than 1 second (long PUSH) followed with a short push (<1s). now the devices are switched off, do a long PUSH, the system will now be resynchronized.
- Short circuit 1...10V port for at least 2 seconds to reset the device to ON/OFF & 1...10V modes
- Default dimming AM+PWM: 1-25% PWM 2 kHz+25-100% AM
- Full PWM dimming (240 Hz - 1-100%) available by short circuit of NTC port during switch on of the driver. Same operation to reset to AM+PWM

Rated Voltage

110 ÷ 127 V ⁽²⁾
220 ÷ 240 V

Frequency

50...60 Hz

AC Operation range

99 ÷ 264 V

DC Operation range

176 ÷ 280 V
(NO PUSH mode function)

Power

0 ÷ 20 W

Temperature

Tc = 80°C, 75°C for Pout ≤ 16W
Ta = -25...+50°C

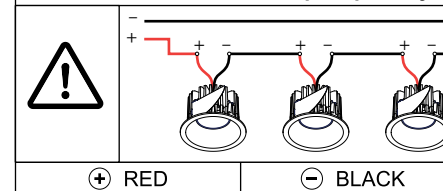
max. Efficiency

> 85 ⁽¹⁾

Maximum current output ripple

≤ 3% ⁽¹⁾

For serial connection, respect polarity!



CAN BE USED WITH
Fixtures:
see driver matrix - latest version on website
www.supermodular.com or check sales contact

⁽¹⁾ Referred to $V_{in} = 230V$, 100% load

⁽²⁾ Rated Voltage 110 ÷ 127 V

