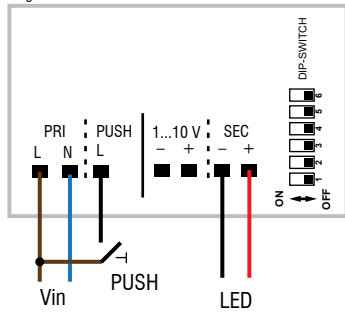


# LED Gear 250-900mA 13-20W 1-10/PD AM

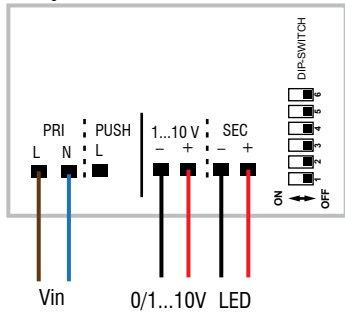
12408030



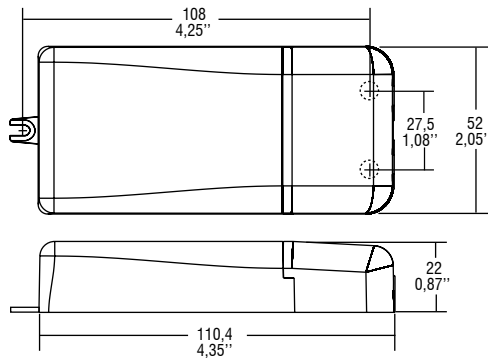
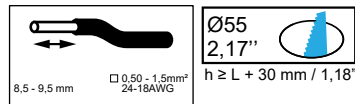
PUSH diagram



0/1...10 V diagram



<b>250mA</b>	113W (13W <sup>(2)</sup> )	20-53Vdc	ON OFF	1 2 3 4
<b>350mA</b>	18W (15W <sup>(2)</sup> )	15-50Vdc	ON OFF	1 2 3 4
<b>500mA</b>	20W (15W <sup>(2)</sup> )	5-40Vdc	ON OFF	1 2 3 4
<b>700mA</b>	20W (15W <sup>(2)</sup> )	3-29Vdc	ON OFF	1 2 3 4



## Operating Mode

- Light regulation 0/0,5 - 100% by means of 0/1...10V interface (I=0,35mA) or 100 Kohm potentiometer.
- Light regulation 0/0,5 - 100% by means of PUSH function (L mains voltage: 170Kohm):
  - a short push to turn on and off
  - a longer push to increase or decrease light intensity
  - regulation automatically stops at minimum or maximum values for another on regulation or off command, release the push button and give the desired command again
- Maximum length of the cable, from the push button to last driver, must be max. 15 m / 49 ft. In case of application where the cable is longer keep this separate from the 110-240 Volt mains cable.
- ATTENTION: only use normally open push buttons with no incorporated warning light
- Specific dimming terminal connection with a 0/1...10Vdc electronic potentiometer (0/1...10V local dimming, double insulation required for external connection).
- PUSH re-synchronization: when the drivers are switched on, press the PUSH key for more than 1 second (long PUSH) followed with a short push (<1s). now the devices are switched off, do a long PUSH, the system will now be resynchronized.
- Short circuit 1...10V port for at least 2 seconds to reset the device to ON/OFF & 1...10V modes
- Full AM DIMMING: 1-100%, compatible with Modular warmdim LED fixtures

## Rated Voltage

110 ÷ 127 V <sup>(2)</sup>  
220 ÷ 240 V

## Frequency

50...60 Hz

## AC Operation range

99 ÷ 264 V

## DC Operation range

176 ÷ 280 V  
(NO PUSH mode function)

## Power

1 ÷ 20 W

## Temperature

Tc = 80°C, 75°C for Pout ≤ 16W  
Ta = -25...+50°C

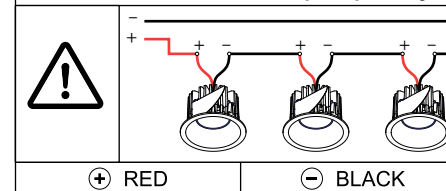
## max. Efficiency

> 85% <sup>(1)</sup>

## Maximum current

output ripple  
≤ 3% <sup>(1)</sup>

## For serial connection, respect polarity!



CAN BE USED WITH  
Fixtures:  
see driver matrix - latest version on website  
[www.supermodular.com](http://www.supermodular.com) or check sales contact

<sup>(1)</sup> Referred to  $V_{in} = 230V$ , 100% load

<sup>(2)</sup> Rated Voltage 110 ÷ 127 V

