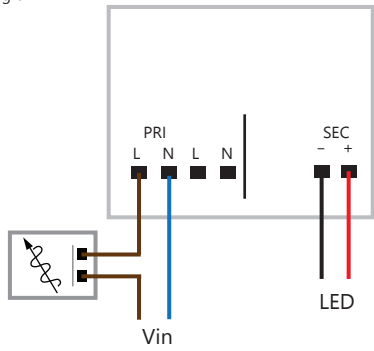


LED Gear 700mA 20W L+Tre

12408530

Diagram



700mA 20W 16-28Vdc

Operating Mode

- Regulating driver with "phase cut-off" dimmer IGBT, TRIAC
- AM dimming: compatible with Modular warmdim LED fixtures
- LOOPING: suitable for cascade connection

Rated Voltage

220 ÷ 240 V

Frequency

50...60 Hz

AC Operation range

198 ÷ 264 V

Power

8 ÷ 20 W

Temperature

T_c = 75°C

T_a = -25...+45°C

max. Efficiency

> 89⁽¹⁾

Maximum current output ripple

≤ 20%⁽¹⁾

Reference Norms

EN 50172 (VDE 0108)

EN 55015

EN 61000-3-2

EN 61000-3-3

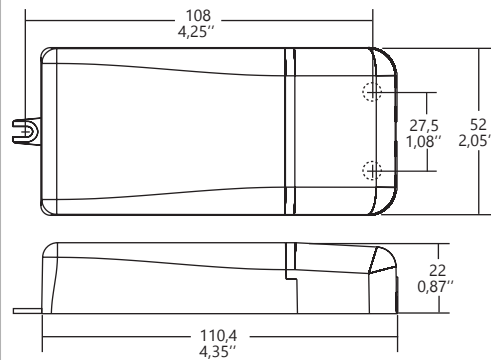
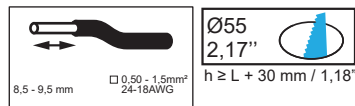
EN 61347-1

EN 61347-2-13

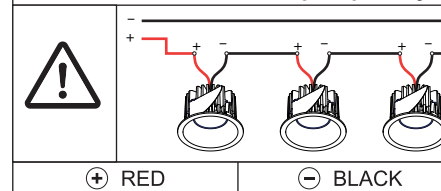
EN 61547

EN 62384

VDE 0710-T14



For serial connection, respect polarity!



CAN BE USED WITH

Fixtures:

see driver matrix - latest version on website
www.supermodular.com or check sales contact

⁽¹⁾ Referred to V_{in} = 230V, 100% load

