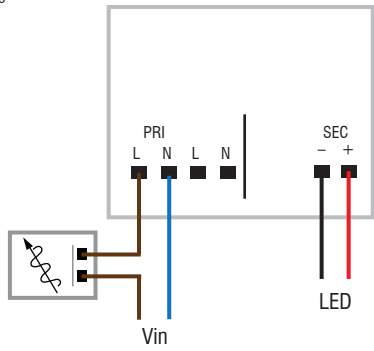


LED Gear 350mA 18W L+Tre

12404230

Diagram



350mA 18W 25-51Vdc

Operating Mode

- Regulating driver with "phase cut-off" dimmer IGBT, TRIAC
- AM dimming: compatible with Modular warmdim LED fixtures
- LOOPING: suitable for cascade connection

Rated Voltage

220 ÷ 240 V

Frequency

50...60 Hz

AC Operation range

198 ÷ 264 V

Power

8 ÷ 18 W

Temperature

Tc = 70°C

Ta = -25...+50°C

max. Efficiency

> 89⁽¹⁾

Maximum current

output ripple

≤ 20%⁽¹⁾

Reference Norms

EN 50172 (VDE 0108)

EN 55015

EN 61000-3-2

EN 61000-3-3

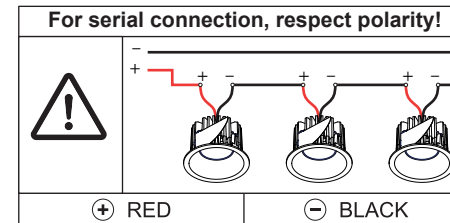
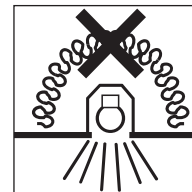
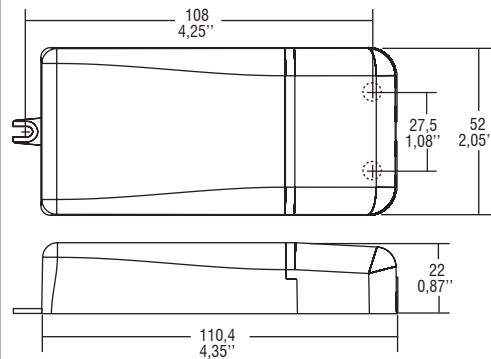
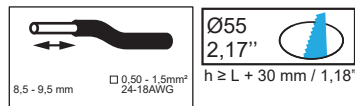
EN 61347-1

EN 61347-2-13

EN 61547

EN 62384

VDE 0710-T14



CAN BE USED WITH

Fixtures:

see driver matrix - latest version on website
www.supermodular.com or check sales contact

⁽¹⁾ Referred to $V_m = 230V$, 100% load

