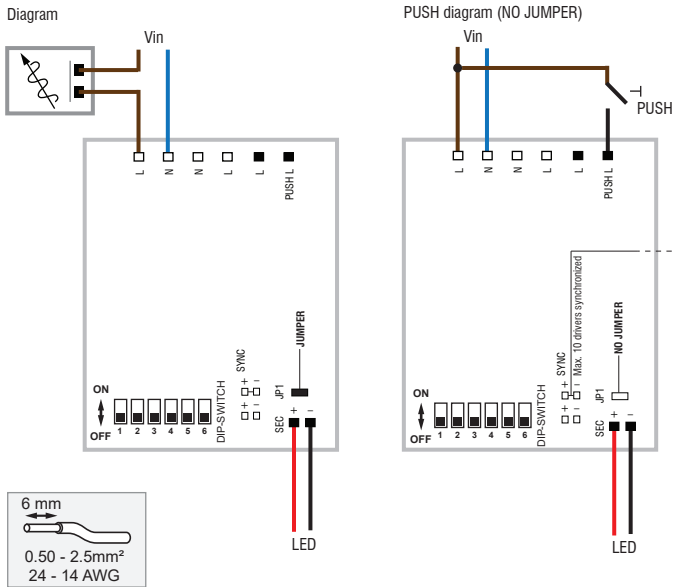


# LED driver 350-700mA 17-32W L+Tre/PUSH

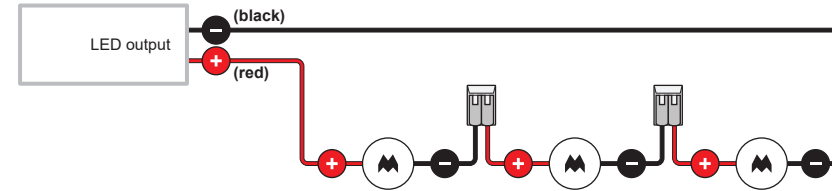
12400330

## WIRING DIAGRAM

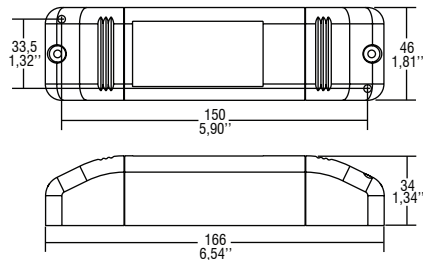


**⚠ SERIAL CONNECTION, RESPECT POLARITY**

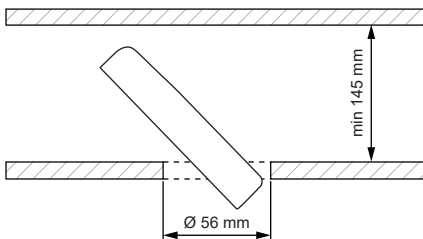
## DRIVER WITH 1 x LED OUTPUT



## DIMENSIONS



## MINIMUM HEIGHT TO TILT IN DRIVER



## OPERATING WINDOW

### OPERATING WINDOW

350mA	17W	2-47VDC
500mA	24W	2-47VDC
700mA	32W	1-47VDC

### OPERATING MODE

- Regulating driver with "phase cut-off" dimmer IGBT, TRIAC and PUSH
- Light regulation 0/0,5 -100% by means of PUSH function: (mains voltage) remove JUMPER a short push to turn on and off, a longer push to increase or decrease light intensity regulation automatically stops at minimum or maximum values for another on regulation or off command, release the push button and give the desired command again dimming level memory at mains restore
- Possibility to use PUSH function to 4/5 drivers without sync cable
- Maximum length of the cable, from the push button to last driver, must be max. 15m / 49ft. In case of application where the cable is longer keep this separate from the 220-240 Volt mains cable.
- ATTENTION: only use normally open push buttons with no incorporated warning light
- Max. 10 drivers synchronization is possible, command only one driver (1 master + 9 slaves) - synchronization cable 4m is separately supplied (12400100)
- PUSH re-synchronization: when the drivers are switched on, press the PUSH key for more than 1 second (long PUSH) followed with a short push (<1s). now the devices are switched off, do a long PUSH, the system will now be resynchronized.
- LOOPING: suitable for cascade connection.

<sup>(1)</sup> Referred to Vin = 230V, 100% load

## ELECTRICAL CHARACTERISTICS

### NOMINAL INPUT VOLTAGE RANGE AC

220 - 240V

### FREQUENCY

50 - 60HZ

### AC OPERATING RANGE

198 ÷ 264 V

### DC OPERATING RANGE

DC 176 ÷ 264 V  
(NO PUSH mode function)  
(NO IGBT/TRIAC)

### MAXIMUM OUTPUT POWER

0 ÷ 32 W

### TEMPERATURE

Tc = 75°C  
Ta = -25...+45°C

### MAXIMUM EFFICIENCY

> 85 <sup>(1)</sup>

### MAXIMUM CURRENT OUTPUT RIPPLE

≤ 3% <sup>(1)</sup>

### MAXIMUM DRIVERS ON MCB 16A TYPE B

50

### REFERENCE NORMS

EN 50172 (VDE 0108)  
EN 55015  
EN 61000-3-2  
EN 61000-3-3  
EN 61347-1  
EN 61347-2-13  
EN 61547  
EN 62384  
VDE 0710-T14

## FIXTURES & ACCESSORIES

For latest version of driver matrix and available accessories check [www.supermodular.com](http://www.supermodular.com) or connect with your sales contact.