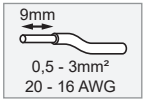
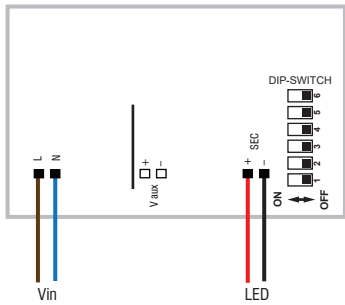


LED driver 25-50W 350-1050mA

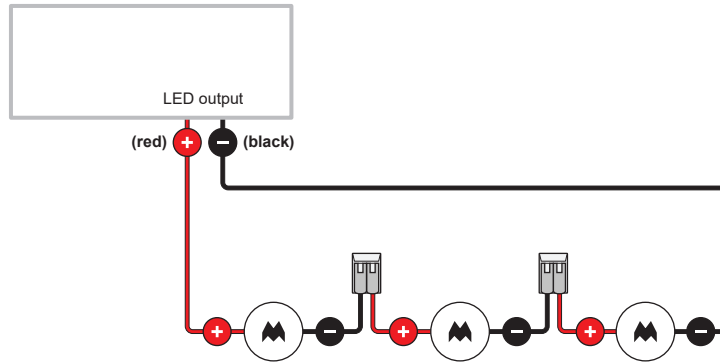
12403430

WIRING DIAGRAM



⚠ SERIAL CONNECTION, RESPECT POLARITY

DRIVER WITH 1 x LED OUTPUT



ELECTRICAL CHARACTERISTICS

NOMINAL INPUT VOLTAGE RANGE AC

220 - 240V (EUROPE)
110 - 127V (USA/CANADA) ⁽²⁾

INPUT FREQUENCY RANGE

50...60HZ

AC OPERATING RANGE

99 - 264 V

DC OPERATING RANGE

DC 170 - 280 V

MAXIMUM OUTPUT POWER

1 - 50W

TEMPERATURE

Tc = 85°C
Ta = -25...+50°C

MAX. EFFICIENCY

>89% ⁽¹⁾

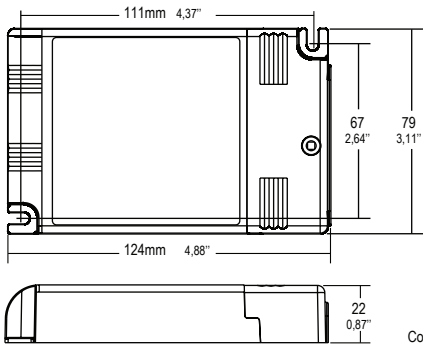
OUTPUT CURRENT RIPPLE

≤ 3% ⁽¹⁾

MAXIMUM DRIVERS ON MCB 16A TYPE B

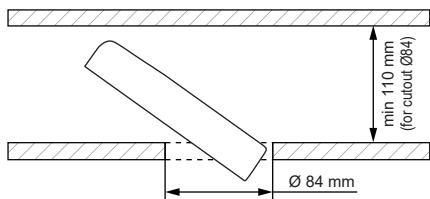
15

DIMENSIONS



Compatible with ZHAGA (AM3)

MINIMUM HEIGHT TO TILT IN DRIVER



OPERATING WINDOW

OPERATING WINDOW

350mA	25W (25W ⁽²⁾)	1 - 74 Vdc
500mA	35W (35W ⁽²⁾)	1 - 72 Vdc
700mA	50W (40W ⁽²⁾)	1 - 71 Vdc
900mA	50W (40W ⁽²⁾)	1 - 55 Vdc
1050mA	50W (40W ⁽²⁾)	1 - 48 Vdc

⁽¹⁾ Referred to Vin = 230V, 100% load
⁽²⁾ Rated Voltage 110 ± 127 V

Technical datasheet available on request

FIXTURES & ACCESSORIES

For latest version of driver matrix and available accessories check www.supermodular.com or connect with your sales contact.

