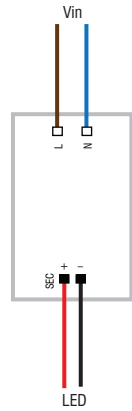


LED driver 500mA 12W

13550030

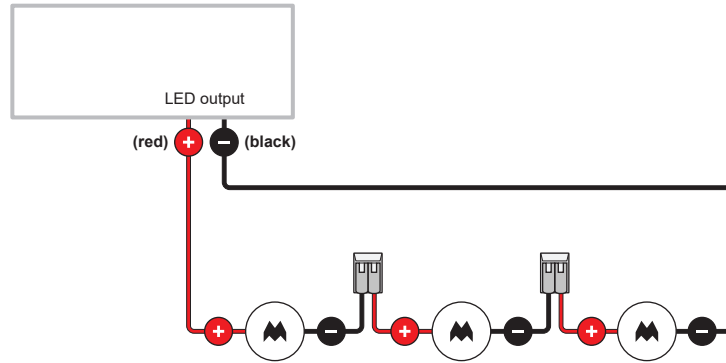
WIRING DIAGRAM



6-7 mm
0.5 - 2.5mm²
24 - 13 AWG

⚠ SERIAL CONNECTION, RESPECT POLARITY

DRIVER WITH 1 x LED OUTPUT



ELECTRICAL CHARACTERISTICS

NOMINAL INPUT VOLTAGE RANGE AC

100 - 127V ⁽²⁾
100 - 240V

FREQUENCY

50 60HZ

AC OPERATING RANGE

90 ÷ 264 V

DC OPERATING RANGE

DC 176 ÷ 280 V

MAXIMUM OUTPUT POWER

0 ÷ 12 W

TEMPERATURE

T_c = 75°C
T_a = -25...+50°C

MAXIMUM CURRENT OUTPUT RIPPLE

≤ 3% ⁽¹⁾

MAXIMUM EFFICIENCY

>83% ⁽¹⁾

MAXIMUM DRIVERS ON MCB 16A TYPE B

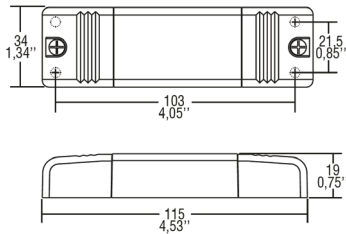
27

REFERENCE NORMS

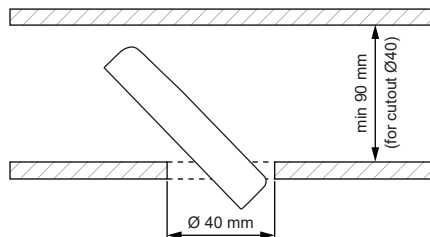
CSA C22.2 no. 223 ⁽²⁾
EN 50172
EN 55015
EN 61000-3-2
EN 61000-3-3
EN 61347-1
EN 61347-2-13
EN 61547
EN 62384
VDE 0710-T14
UL 1310 & UL 8750 ⁽²⁾

Technical datasheet available on request

DIMENSIONS



MINIMUM HEIGHT TO TILT IN DRIVER



OPERATING WINDOW

OPERATING WINDOW

500mA 12W (10W⁽²⁾) 2-24VDC

⁽¹⁾ Referred to Vin = 230V, 100% load
⁽²⁾ Rated Voltage 100 ÷ 127 V

FIXTURES & ACCESSORIES

For latest version of driver matrix and available accessories check www.supermodular.com or connect with your sales contact.

