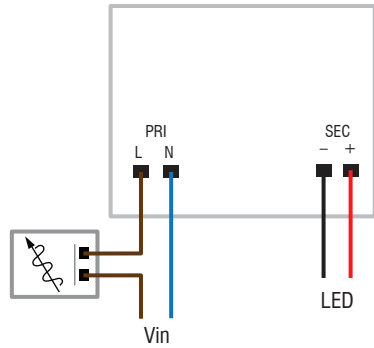


LED driver 500mA 5-10W L+Tre

12404930

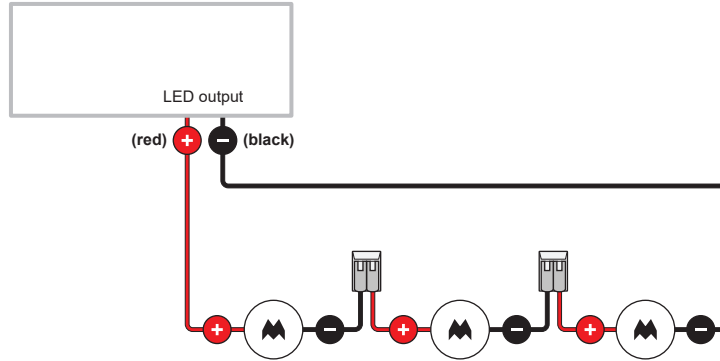
WIRING DIAGRAM



4-5 mm
0.75 - 2.5mm²
22 - 14 AWG

⚠ SERIAL CONNECTION, RESPECT POLARITY

DRIVER WITH 1 x LED OUTPUT



ELECTRICAL CHARACTERISTICS

NOMINAL INPUT VOLTAGE RANGE AC

220 - 240V

FREQUENCY

50 - 60HZ

AC OPERATING RANGE

198 ÷ 264 V

DC OPERATING RANGE

none

MAXIMUM OUTPUT POWER

3 + 10 W

TEMPERATURE

T_c = 70°C

T_a = -25...+45°C

MAXIMUM CURRENT OUTPUT RIPPLE

≤ 20% ⁽¹⁾

MAXIMUM DRIVERS ON MCB 16A TYPE B

50

REFERENCE NORMS

EN 50172 (VDE 0108)

EN 55015

EN 61000-3-2

EN 61000-3-3

EN 61347-1

EN 61347-2-13

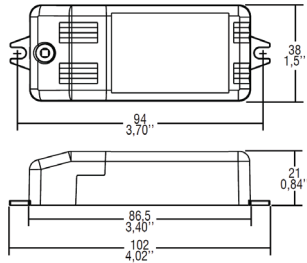
EN 61547

EN 62384

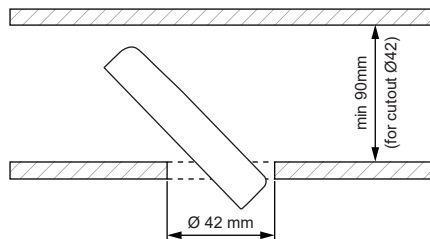
VDE 0710-T14

Technical datasheet available on request

DIMENSIONS



MINIMUM HEIGHT TO TILT IN DRIVER



OPERATING WINDOW

OPERATING WINDOW

500mA 10W 6-20VDC

OPERATING MODE

- Regulating driver with "phase cut-off" dimmer IGBT, TRIAC
- AM dimming: compatible with Modular warmdim LED fixtures

⁽¹⁾ Referred to Vin = 230V, 100% load

FIXTURES & ACCESSORIES

For latest version of driver matrix and available accessories check www.supermodular.com or connect with your sales contact.

