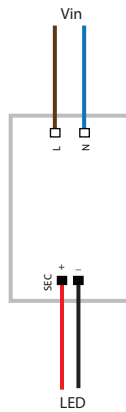


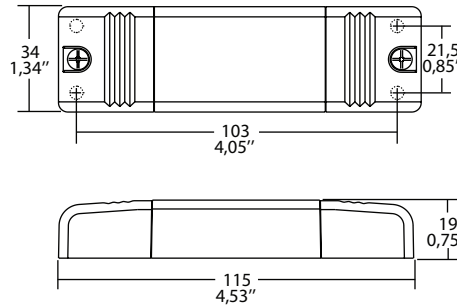
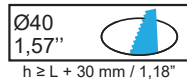
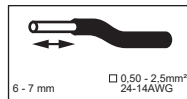
LED Gear 350mA 15W

13550130

Diagram



350mA 15W (10W⁽²⁾) 2 - 41.5Vdc



Rated Voltage

100 ÷ 127 V⁽²⁾
100 ÷ 240 V

Frequency

50...60 Hz

AC Operation range

90 ÷ 264 V

DC Operation range

DC 170 ÷ 280 V

Power

0 ÷ 15 W

Temperature

T_c = 75°C
T_a = -25...+45°C

max. Efficiency

> 85⁽¹⁾

Maximum current

output ripple

≤ 3%⁽¹⁾

Reference Norms

- CSA C22.2 no. 223⁽²⁾
- EN 50172
- EN 55015
- EN 61000-3-2
- EN 61000-3-3
- EN 61347-1
- EN 61347-2-13
- EN 61547
- EN 62384
- VDE 0710-T14
- UL 1310 & UL 8750⁽²⁾

max. drivers on MCB 16A type B

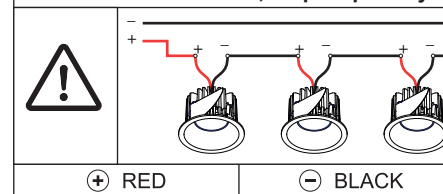
27

CAN BE USED WITH

Fixtures:

see driver matrix - latest version on website
www.supermodular.com or check sales contact

For serial connection, respect polarity!



⁽¹⁾ Referred to V_{in} = 230V, 100% load

⁽²⁾ Rated Voltage 100 ÷ 127 V

