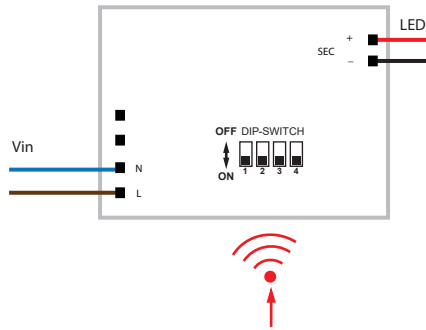


Casambi LED gear 300-1050mA 16-38W

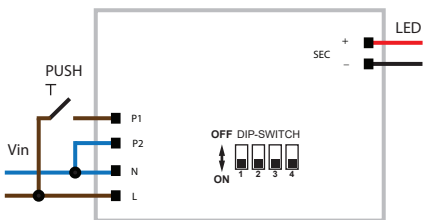
13470030



CASAMBI Diagram



PUSH Diagram

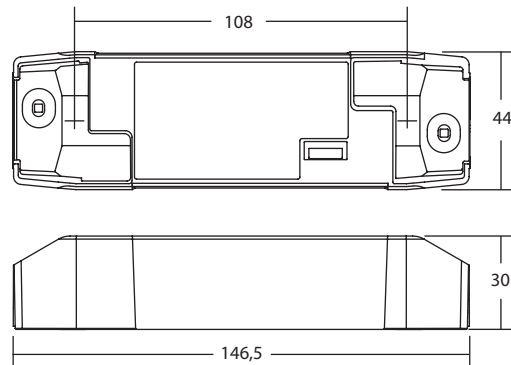


350mA	18W	10-54Vdc	OFF ON	1 2 3 4
500mA	27W	10-54Vdc	OFF ON	1 2 3 4
700mA	38W	10-51Vdc	OFF ON	1 2 3 4
900mA	38W	10-42Vdc	OFF ON	1 2 3 4
1050mA	38W	10-36Vdc	OFF ON	1 2 3 4

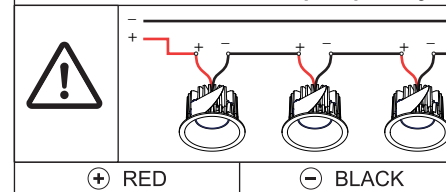
Operation Mode

- Light regulation 0/1 - 100 % by means of PUSH SWITCH function and APP or compatible devices for CASAMBI integrated WIRELESS module.
- Full AM DIMMING: 1-100% (minimum current: 7 mA).
- Light regulation 0/1 - 100 % by means of PUSH SWITCH function (mains voltage):
 - a short push to turn on and off;
 - a longer push to increase or decrease light intensity;
 - regulation automatically stops at minimum and maximum values;
 - for another on, regulation or off command, release the push button and give the desired command again;
 - dimming level memory at mains restore.
- Maximum length of the cable, from push button to last driver, must be max. 15 m / 49 ft. In case of applications where the cable is longer than 15 m / 49 ft, keep this separate from the 240 V mains cable.
- ATTENTION: only use normally open push buttons with no incorporated warning light.
- ATTENTION: do not apply within 0.2m from human body.

Ø54
2,13"



For serial connection, respect polarity!



Rated Voltage

220 ÷ 240 V

Frequency

50...60 Hz

AC Operation range

198 ÷ 264 V

DC Operation range

DC 176 ÷ 275 V

Power

1 ÷ 38 W

Temperature

T_c = 80°C

T_a = -25...+45°C

max. Efficiency

> 90 ⁽¹⁾

Typical current output ripple

≤ 3% ⁽¹⁾

CASAMBI
www.casambi.com

Connect device to a Casambi network by using the Casambi App which can be downloaded from iOS App Store or Google Play Store.



Surrounding materials, obstructions (walls, concrete, metal...) and other wireless signals can have a negative influence on the casambi wireless signal range. Always check on site circumstances for optimal signal quality.



For more information, support and troubleshooting about the Casambi technology please visit:
<https://support.casambi.com/support/solutions>

Advised to use this device in an Evolution network

CAN BE USED WITH

Fixtures:

see driver matrix - latest version on website
www.supermodular.com or check sales contact

(1) Referred to V_{in} = 230V, 100% load