

Description

Surface mounted aluminium LED luminaire consisting of a 230V track adapter with built-in dimmable driver and equipped with a rectangular shaped unit with recessed LED COB light source. The lamp unit can be rotated 360° vertically and 90° horizontally. No visible screws or other fixtures. Only for indoor use, IP20 protection class.

Materials

- Lamp unit: aluminium with scratch resistant fine textured powder coating in black or white
- Reflector: high-gloss aluminium
- 230V adapter: white or black polycarbonate

Technical characteristics

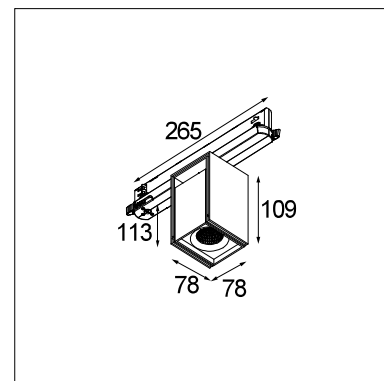
- Dimensions: 78 mm x 78 mm x 109 mm (L x W x H)
- Reflectors: medium (25°) and flood (40°)
- COB high-power LED
- Colour temperature: 2700K, 3000K or warm dim (1800K - 3000K)
- CRI 90+
- 3SDCM
- Luminaire output: 900 lm (for 3000K, medium and white structure painted luminaire)
- Luminaire efficiency: 87%
- Power consumption: 14W for the 1L luminaire (power consumption of driver included)
- UGR 22
- Available with DALI dimmable or wireless Bluetooth driver
- Warranty period: 5 years on LED lamps, 2 years on drivers
- Lifetime: L80B20 @50000 hours
- Power: 220-230 V, 50-60 Hz
- Class 1
- Only for indoor use (IP20)

Installation

For installation on a universal 3 phase track rail

Accessories

None



Standards and directives:

- Standards and directives:
 - 2006/95/EC - Low Voltage Directive
 - 2004/108/EC - EMC Directive
 - 2011/65/EU - RoHS Directive
 - 2009/125/EC - Ecodesign Directive
 - 245/2009/EC + 347/2010/EU - Ecodesign Directive
 - 1194/2012/EU - Ecodesign Regulation
 - EN 60598-1:2008 +A11:2009 - Luminaires. General requirements and tests
 - EN 62471:2008 - Photobiological safety of LED lamps and lamp systems
 - EN 62493: 2010 - Assessment of lighting equipment related to human exposure to electromagnetic fields
 - EN 60598-2-1 - Fixed general purpose luminaires
 - EN 55015:2006 +A1:2007 +A2:2009 - Limits and methods of measurement of radio disturbance characteristics of electrical lighting and similar equipment
 - EN 61000-3-2:2006 +A1,A2:2009 - Limits for harmonic current emissions (equipment input current ≤ 16 A per phase)
 - EN 61000-3-3:2013 - Limitation of voltage changes, voltage fluctuations and flicker in public low-voltage supply systems, for equipment with rated current ≤ 16 A per phase and not subject to conditional connection
 - EN 61547:2009 - EMC Immunity Requirements
 - EN 50581:2012 - Technical documentation for the assessment of electrical and electronic products with respect to the restriction of hazardous substances