

Description

Track mounted aluminium LED luminaire consisting of a dome-shaped lamp unit and equipped with a 230V adapter to suspend the 2 meter black feedcord.

Possible to adjust the dome-shaped lamp unit: horizontally 360°, vertically +45° / -45°.

The adapter contains the LED driver (DALI or wireless Bluetooth dimmable)

Only for indoor use, IP 20 protection class.

No visible screws after installation.

Materials

- Aluminium dome-shaped lamp unit finished with a scratch resistant fine textured powder coating in matt white, matt black or donkey grey
- LED holder plate: black anodised aluminium
- Reflector: high-gloss aluminium and anodized gold or champagne; available separately
- Adapter: polycarbonate black or white

Technical characteristics

- Dimensions: $\varnothing 109$ mm x 88 mm (\varnothing x h excl. adapter and connection tube)
- Reflectors:
 - superspot (10° alu-champagne-gold)
 - medium (25° alu-champagne-gold)
 - flood (40° alu-champagne-gold)
- Reflectors - warm dim:
 - medium (25° alu)
 - flood (40° alu-champagne-gold)
- COB high-power LED
- Colour temperature: 2700K or 3000K (3500K and 4000K available on request), also available with warm dim technology
- CRI 90+
- 3SDCM
- Luminaire output: 718 lm (for 3000K, medium)
- Luminaire efficiency: 87%
- Power consumption: 8.5 W (driver included)
- UGR 15
- Available with included DALI or wireless Bluetooth driver
- Power: 230V, 50-60Hz
- Class 1
- 960°C glow wire rated
- Only for indoor use (IP20)
- Lifetime: L80 B20 @50.000 hours
- Warranty period: 5 years on LED lamps, 2 years on drivers

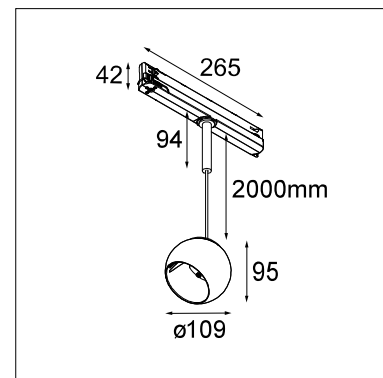
Installation

For installation on a universal 3 phase track rail

Accessories

Reflectors available depending the LED source

- **for 2700K and 3000K LED:**
Magnetic reflectors in high-gloss aluminium, gold and champagne anodized aluminium available in following beam angles:
 - superspot (10°)
 - medium (25°)
 - flood (40°)
- **for warmdim LED:**
Magnetic reflectors in high-gloss aluminium available in following beam angles:
 - medium (25°)
 - flood (40°)Magnetic reflectors in gold and champagne anodized aluminium only available in flood (40°) beam angle



Standards and directives:

- 2006/95/EC - Low Voltage Directive
- 2004/108/EC - EMC Directive
- 2011/65/EU - RoHS Directive
- 2009/125/EC - ECODesign Directive
- 245/2009/EC + 347/2010/EU - ECODesign Directive
- 1194/2012/EU - ECODesign Regulation
- EN 60598-1:2008 +A11:2009 - Luminaires. General requirements and tests
- EN 62471:2008 - Photobiological safety of LED lamps and lamp systems
- EN 62493: 2010 - Assessment of lighting equipment related to human exposure to electromagnetic fields
- EN 60598-2-1 - Fixed general purpose luminaires
- EN 55015:2006 +A1:2007 +A2:2009 - Limits and methods of measurement of radio disturbance characteristics of electrical lighting and similar equipment
- EN 61000-3-2:2006 +A1,A2:2009 - Limits for harmonic current emissions (equipment input current ≤ 16 A per phase)
- EN 61000-3-3:2013 - Limitation of voltage changes, voltage fluctuations and flicker in public low-voltage supply systems, for equipment with rated current ≤ 16 A per phase and not subject to conditional connection
- EN 61547:2009 - EMC Immunity Requirements
- EN 50581:2012 - Technical documentation for the assessment of electrical and electronic products with respect to the restriction of hazardous substances