

PISTA TRACK ACCESSORIES

Description

Low voltage (48V DC) magnetic rail system suitable for 48V DC track luminaires.

The aluminium rail system contains 4 copper conductors: 2 conductors for the + and – pole of the supply voltage; 2 conductors for dimming through DALI or 1-10V system.

The rail system is fitted with an internal mechanical key, which prevents luminaires or accessories to be clicked in the wrong polarization.

The magnetic rail system can either be surface mounted, suspended, recessed or recessed trimless. Also a suspended up/down track rail is available.

Available accessories:

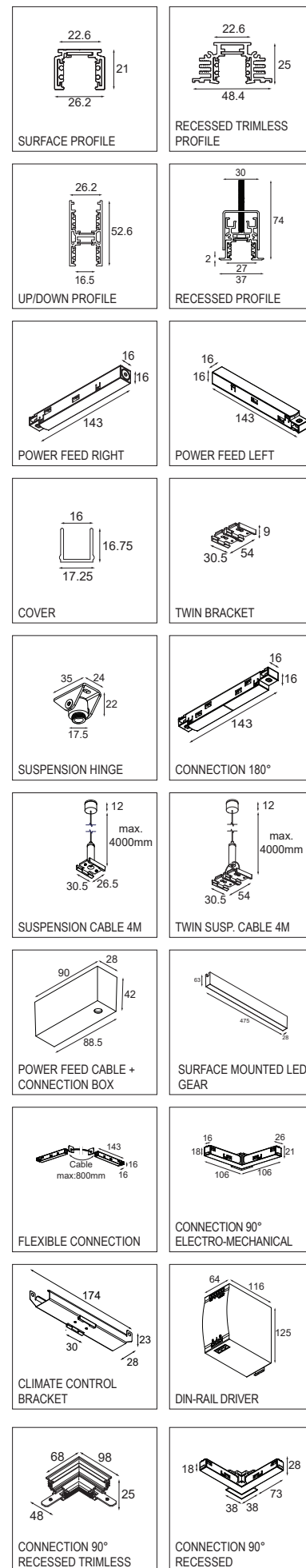
- Power feed left and right
- Endplates
- 180° electrical connection
- 180° mechanical connection (only for recessed profile)
- 90° electro-mechanical connection (for both surface mounting and suspension) for in and outside connection
- In case of surface connection: also wall to ceiling connections available
- 90° flexible connection
- 90° curved connection (R500 mm), for surface and suspended mounting
- 135° curved connection (R500 mm), for surface and suspended mounting
- 90° trimless connection (inside/outside)
- Linear plastic cover to fill empty spaces in the track rail
- Steel suspension cable 4 meter for a single track rail
- Dedicated brackets for installation on climate control ceiling (SAPP)
- Twin steel suspension cable 4 meter for two single track rails suspended next to each other
- Hinged suspension set for slanted ceilings
- Twin bracket to couple two single track rails next to each other
- Power feed cable 4x1.5mm² 2 meter with rectangular ceiling connection box
- Surface mounted 48V driver housing 75W and 150W
- Remote 48V drivers: 75W, 120W, 240W, 320W and 100W

Materials

- Track rail surface/suspension: aluminium, finished with fine-textured scratch resistant white or black powder paint or finished in brushed anodisation: bronze or champagne
- Track rail recessed: aluminium, finished in scratch resistant matt black powder paint (non-textured). The installation bracket for this rail is made of galvanized steel (thickness 1.2mm)
- Power feed left and right: polycarbonate white or black
- Endplate surface: polycarbonate white or black
- Endplate recessed: PMMA black
- 180° electrical connection: polycarbonate white or black
- 180° mechanical connection for recessed profile: steelplate 2mm, finished in fine-textured scratch resistant black powder paint
- 90° electro-mechanical connection: polycarbonate white or black
- Linear plastic cover: polycarbonate white or black
- (Twin) steel suspension cable 4 meter: galvanized steel coated in matt black, ceiling suspension cylinders made from aluminium and finished with fine-textured scratch resistant white or black powder paint
- Twin bracket: aluminium, finished with fine-textured scratch resistant white or black powder paint
- Power feed cable 4x1.5mm²: FEP and TPE insulation black
- Rectangular ceiling box: aluminium and finished with fine-textured scratch resistant white or black powder paint. Ceiling bracket made of galvanized steel (thickness 1mm)

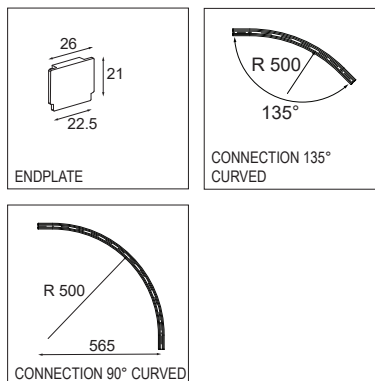
Installation

- Surface mounting: ceiling or wall mounting by means of \varnothing 4mm universal chipboard screws (not included in the packaging)
- Suspension mounting: Ceiling cylinders are mounted to the ceiling by means of \varnothing 4mm universal chipboard screws (not included in the packaging). The ceiling box contains four 3-pole splicing connectors, suitable for wires up to 4mm² and ready for through-wiring. The suspension height adjustment is done at the back of the rail with a griplock system.
- Recessed mounting by means of included installation brackets for ceiling thicknesses ranging from 5 to 30mm. No plastering finish needed.
- Trimless recessed mounting by means of included installation brackets for ceiling thicknesses from 12 up to 25mm. Plastering after installation needed.
- Electrical connection: connect 48V DC to the power feed (left or right). The power feeds are suitable for solid or stranded wires up to 1,5mm².
- The 48V DC rail system is suitable for maximum 15A through 1 track rail configuration.



Accessories

- 48V independent or DIN-rail mounted LED drivers are available in the driver matrix.



Standards and directives:

- 2006/95/EC - Low Voltage Directive
- 2004/108/EC - EMC Directive
- 2011/65/EU - RoHS Directive
- 2009/125/EC - Ecodesign Directive
- 245/2009/EC + 347/2010/EU - Ecodesign Directive
- 1194/2012/EU - Ecodesign Regulation
- EN 60598-1:2008 +A11:2009 - Luminaires. General requirements and tests
- EN 62471:2008 - Photobiological safety of LED lamps and lamp systems
- EN 62493: 2010 - Assessment of lighting equipment related to human exposure to electromagnetic fields
- EN 60598-2-1 - Fixed general purpose luminaires
- EN 55015:2006 +A1:2007 +A2:2009 - Limits and methods of measurement of radio disturbance characteristics of electrical lighting and similar equipment
- EN 61000-3-2:2006 +A1,A2:2009 - Limits for harmonic current emissions (equipment input current ≤ 16 A per phase)
- EN 61000-3-3:2013 - Limitation of voltage changes, voltage fluctuations and flicker in public low-voltage supply systems, for equipment with rated current ≤ 16 A per phase and not subject to conditional connection
- EN 61547:2009 - EMC Immunity Requirements
- EN 50581:2012 - Technical documentation for the assessment of electrical and electronic products with respect to the restriction of hazardous substances