

## Description

Cylindrical, adjustable 48V track mounted LED luminaire, consisting of two main components: the body and a pivoting rod that enables the luminaire to be adjustable and that holds the 48V low voltage adapter. The adapter contains the electronic convertor (DALI or 1-10V) that converts 48V DC into a constant current.

The body can be rotated 360° around the adapter and 90° around the rod.

The housing contains the aspherical lens for optimum beam shape.

Also available in a double lamps version.

No visible screws or wiring.

## Materials

- Aluminium body finished in fine-textured scratch-resistant powder coating matt black or matt white. Also available in bronze, silver bronze, gold, champagne and matt black sanded anodization and in black chrome high gloss finish
- Aspherical lens optic in glass
- Aluminium pivoting rod and backplate, finished in scratch resistant matt black powder coating
- Aluminium heatsink, finished in black electroplating
- Internal leaf springs: stainless steel
- Ledholder: black polycarbonate
- Adapter: polycarbonate black or white

## Technical characteristics

- Dimensions:  $\varnothing 45$  mm x 88 mm ( $\varnothing$  x H excl. adapter and pivoting rod)
- Lens: spot (16°) and medium (28°)
- COB high-power LED
- Colour temperature: 2700 K or 3000 K
- CRI90+
- 2SDCM
- Luminaire output: 610lm (for 3000K and white structure painted luminaire)
- Luminaire efficiency: 62%
- Power consumption: 11W (driver included)
- UGR 13
- Available with included 1-10V or DALI driver
- Power: 48V DC
- Class 3
- Only for indoor use (IP20)
- Glow wire rating: 960°C
- Lifetime: L80 B20 @50.000 hours
- Warranty period: 5 years on LEDs, 2 years on drivers

## Installation

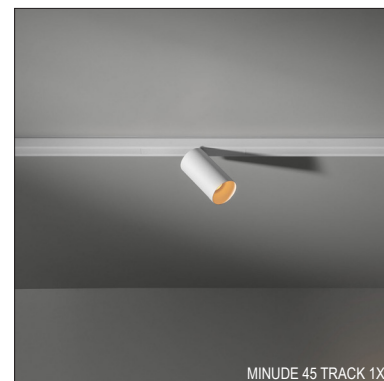
- For installation in a 48V single phase low voltage dimmable magnetic track system

## Accessories

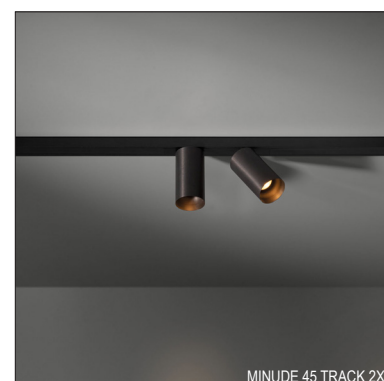
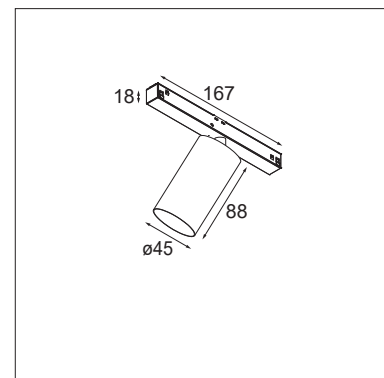
- none

### Standards and directives:

- 2006/95/EC - Low Voltage Directive
- 2004/108/EC - EMC Directive
- 2011/65/EU - RoHS Directive
- 2009/125/EC - Ecodesign Directive
- 245/2009/EC + 347/2010/EU - Ecodesign Directive
- 1194/2012/EU - Ecodesign Regulation
- EN 60598-1:2008 +A11:2009 - Luminaires. General requirements and tests
- EN 62471:2008 - Photobiological safety of LED lamps and lamp systems
- EN 62493: 2010 - Assessment of lighting equipment related to human exposure to electromagnetic fields
- EN 60598-2-1 - Fixed general purpose luminaires
- EN 55015:2006 +A1:2007 +A2:2009 - Limits and methods of measurement of radio disturbance characteristics of electrical lighting and similar equipment
- EN 61000-3-2:2006 +A1,A2:2009 - Limits for harmonic current emissions (equipment input current  $\leq$  16 A per phase)
- EN 61000-3-3:2013 - Limitation of voltage changes, voltage fluctuations and flicker in public low-voltage supply systems, for equipment with rated current  $\leq$  16 A per phase and not subject to conditional connection
- EN 61547:2009 - EMC Immunity Requirements
- EN 50581:2012 - Technical documentation for the assessment of electrical and electronic products with respect to the restriction of hazardous substances



MINUDE 45 TRACK 1X



MINUDE 45 TRACK 2X

