

MARBUL SUSPENSION ADJUSTABLE TRACK 48V

Description

Track mounted aluminium LED luminaire consisting of a dome-shaped lamp unit and equipped with a 48V low voltage adapter to suspend the 2 meter black feedcord.

Possible to adjust the dome-shaped lamp unit: horizontally 360°, vertically +45° / -45°.

The adapter contains the electronic convertor (DALI or 1-10V) that converts 48V DC into a constant current.

Only for indoor use, IP 20 protection class.

No visible screws after installation.

Materials

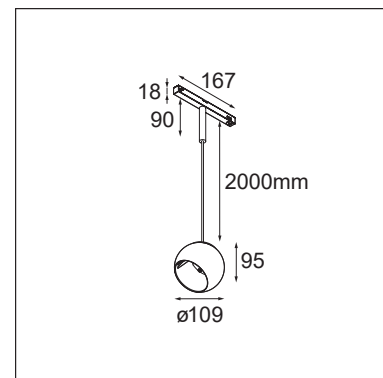
- Aluminium dome-shaped lamp unit finished with a scratch resistant fine textured powder coating in matt white, matt black or donkey grey
- Aluminium dome back cover finished with a scratch resistant fine textured powder coating in matt white, matt black or donkey grey
- Aluminium connection tube, finished with a scratch resistant fine textured powder coating in white or matt black
- LED holder plate: black anodised aluminium
- Reflector: high-gloss aluminium and anodized gold or champagne; available separately
- Matt black feedcord, 2x 0.3mm², FEP insulated wires, TPE outer sheath
- Adapter: polycarbonate black or white

Technical characteristics

- Dimensions: ø109 mm x 88 mm (ø x h excl. adapter and connection tube)
- Reflectors:
 - superspot (10° alu-champagne-gold)
 - medium (25° alu-champagne-gold)
 - flood (40° alu-champagne-gold)
- Reflectors - warm dim:
 - medium (25° alu)
 - flood (40° alu-champagne-gold)
- COB high-power LED
- Colour temperature: 2700K or 3000K (3500K and 4000K available on request), also available with warm dim technology
- CRI 90+
- 3SDCM
- Luminaire output: 718 lm (for 3000K, medium)
- Luminaire efficiency: 87%
- Power consumption: 8.5 W (driver included)
- UGR 15
- Available with included 1-10V or DALI driver
- Power: 48V DC
- Class 3
- 960°C glow wire rated
- Only for indoor use (IP20)
- Lifetime: L80 B20 @50.000 hours
- Warranty period: 5 years on LED lamps, 2 years on drivers

Installation

For installation in a 48V single phase low voltage dimmable magnetic track system Slide the aluminium ceiling housing on the springs of the bracket



Accessories

Reflectors available depending the LED source

for 2700K and 3000K LED:

Magnetic reflectors in high-gloss aluminium, gold and champagne anodized aluminium available in following beam angles:

- superspot (10°)
- medium (25°)
- flood (40°)

for warmdim LED:

Magnetic reflectors in high-gloss aluminium available in following beam angles:

- medium (25°)
- flood (40°)

Magnetic reflectors in gold and champagne anodized aluminium only available in flood (40°) beam angle

Standards and directives:

- 2006/95/EC - Low Voltage Directive
- 2004/108/EC - EMC Directive
- 2011/65/EU - RoHS Directive
- 2009/125/EC - Ecodesign Directive
- 245/2009/EC + 347/2010/EU - Ecodesign Directive
- 1194/2012/EU - Ecodesign Regulation
- EN 60598-1:2008 +A11:2009 - Luminaires. General requirements and tests
- EN 62471:2008 - Photobiological safety of LED lamps and lamp systems
- EN 62493: 2010 - Assessment of lighting equipment related to human exposure to electromagnetic fields
- EN 60598-2-1 - Fixed general purpose luminaires
- EN 55015:2006 +A1:2007 +A2:2009 - Limits and methods of measurement of radio disturbance characteristics of electrical lighting and similar equipment
- EN 61000-3-2:2006 +A1,A2:2009 - Limits for harmonic current emissions (equipment input current ≤ 16 A per phase)
- EN 61000-3-3:2013 - Limitation of voltage changes, voltage fluctuations and flicker in public low-voltage supply systems, for equipment with rated current ≤ 16 A per phase and not subject to conditional connection
- EN 61547:2009 - EMC Immunity Requirements
- EN 50581:2012 - Technical documentation for the assessment of electrical and electronic products with respect to the restriction of hazardous substances