

Description

Track mounted aluminium LED luminaire consisting of a dome-shaped lamp unit and equipped with a 48V low voltage adapter.

The adapter contains the electronic convertor (DALI or 1-10V) that converts 48V DC into a constant current.

Possible to adjust the dome-shaped lamp unit: horizontally 360°, vertically +45° / -45°.

Only for indoor use, IP 20 protection class.

No visible screws after installation.

Materials

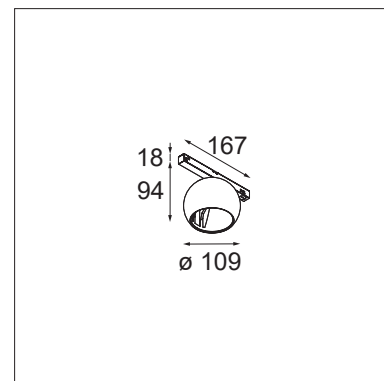
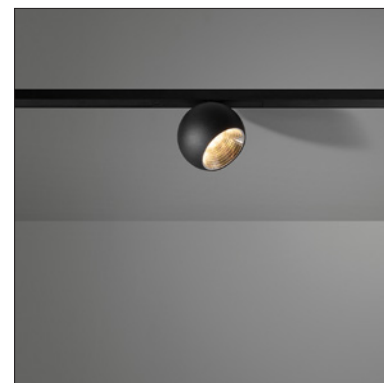
- Aluminium dome-shaped lamp unit finished with a scratch resistant fine textured powder coating in matt white, matt black or donkey grey
- LED holder plate: black anodised aluminium
- Reflector: high-gloss aluminium and anodized gold or champagne; available separately
- Adapter: polycarbonate black or white

Technical characteristics

- Dimensions: $\varnothing 109$ mm x 88 mm (\varnothing x h excl. adapter)
- Reflectors:
 - superspot (10° alu-champagne-gold)
 - medium (25° alu-champagne-gold)
 - flood (40° alu-champagne-gold)
- Reflectors - warm dim:
 - medium (25° alu)
 - flood (40° alu-champagne-gold)
- COB high-power LED
- Colour temperature: 2700K or 3000K (3500K and 4000K available on request), also available with warm dim technology
- CRI 90+
- 3SDCM
- Luminaire output: 718 lm (for 3000K, medium)
- Luminaire efficiency: 87%
- Power consumption: 8.5W (driver included)
- UGR 15
- Available with included 1-10V or DALI driver
- Power: 48V DC
- Class 3
- 960°C glow wire rated
- Only for indoor use (IP20)
- Lifetime: L80 B20 @50.000 hours
- Warranty period: 5 years on LED lamps, 2 years on drivers

Installation

For installation in a 48V single phase low voltage dimmable magnetic track system



Accessories

Reflectors available depending the LED source

for 2700K and 3000K LED:

Magnetic reflectors in high-gloss aluminium, gold and champagne anodized aluminium available in following beam angles:

- superspot (10°)
- medium (25°)
- flood (40°)

for warmdim LED:

Magnetic reflectors in high-gloss aluminium available in following beam angles:

- medium (25°)
- flood (40°)

Magnetic reflectors in gold and champagne anodized aluminium only available in flood (40°) beam angle

Standards and directives:

- 2006/95/EC - Low Voltage Directive
- 2004/108/EC - EMC Directive
- 2011/65/EU - RoHS Directive
- 2009/125/EC - Ecodesign Directive
- 245/2009/EC + 347/2010/EU - Ecodesign Directive
- 1194/2012/EU - Ecodesign Regulation
- EN 60598-1:2008 +A11:2009 - Luminaires. General requirements and tests
- EN 62471:2008 - Photobiological safety of LED lamps and lamp systems
- EN 62493: 2010 - Assessment of lighting equipment related to human exposure to electromagnetic fields
- EN 60598-2-1 - Fixed general purpose luminaires
- EN 55015:2006 +A1:2007 +A2:2009 - Limits and methods of measurement of radio disturbance characteristics of electrical lighting and similar equipment
- EN 61000-3-2:2006 +A1,A2:2009 - Limits for harmonic current emissions (equipment input current ≤ 16 A per phase)
- EN 61000-3-3:2013 - Limitation of voltage changes, voltage fluctuations and flicker in public low-voltage supply systems, for equipment with rated current ≤ 16 A per phase and not subject to conditional connection
- EN 61547:2009 - EMC Immunity Requirements
- EN 50581:2012 - Technical documentation for the assessment of electrical and electronic products with respect to the restriction of hazardous substances