

Description

Spherical, adjustable surface jack mounted LED luminaire, consisting of four main components: the LED housing, a rod that makes the luminaire adjustable, a 8.5mm diameter low voltage jack plug and a glass lens.

The LED housing contains a small matt black painted innerring, for optimal visual comfort.

The LED housing can be rotated 360° around the adapter and 80° around the rod.

The luminaire does not contain a LED driver, so has to be combined with an appropriate constant current LED driver (350mA or 500mA).

The male low voltage jack plug needs to be plugged in a compatible female 8.5mm receptor.

Only for indoor use, IP20 protection class.

No visible screws or wiring after installation.

Materials

- Aluminium LED housing and rod, finished with a scratch resistant fine textured powder coating in white or matt black
- Optic: glass lens 28°
- Innerring: aluminium, finished with scratch resistant powder coating in matt black
- Jack plug: black POM

Technical characteristics

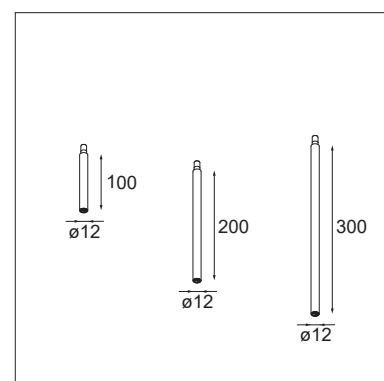
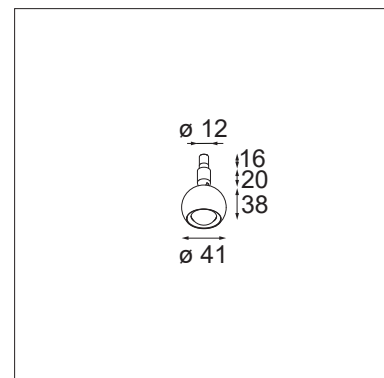
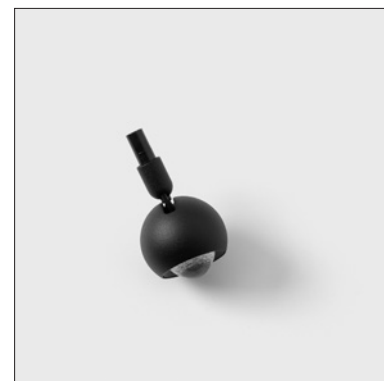
- Dimensions: $\varnothing 41\text{mm} \times 38\text{ mm}$ ($\varnothing \times h$)
- Optic: medium (28°) spherical lens
- COB high-power LED
- Colour temperature: 2700K or 3000K
- CRI90+
- 3SDCM
- Luminaire output: 332lm (for 3000K and white structure painted luminaire @500mA)
- Power consumption: 4.3W
- Luminaire efficiency: 74%
- For connection to an electronic constant current LED driver: choose from driver matrix
- Class 3
- Only for indoor use (IP20)
- 960°C glow wire rated
- Lifetime: L80 B20 @50.000 hours
- Warranty period: 5 years on LEDs, 2 years on drivers

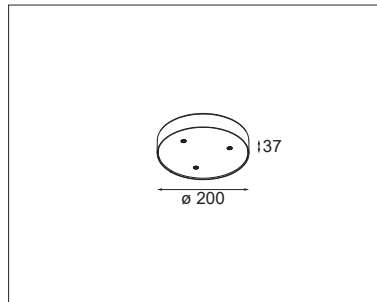
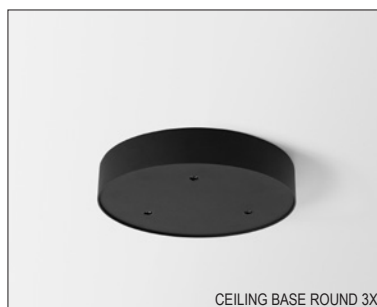
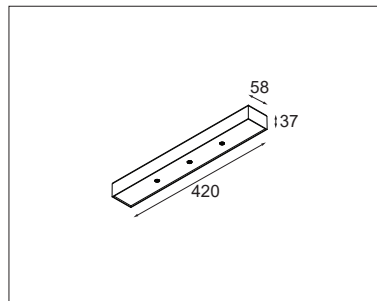
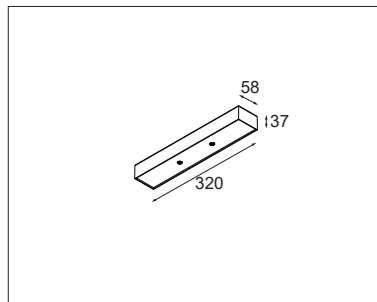
Installation

For installation on a compatible $\varnothing 8.5\text{mm}$ female low voltage jack plug system

Accessories

- Ceiling base (available in rectangular and round shape) with integrated (dimmable/connected) led drivers and integrated 8,5mm female low voltage plugs
- 8.5mm male/female sticks in 10, 20 and 30cm length. These sticks can be used to extend the jack luminaires





Standards and directives:

- 2006/95/EC - Low Voltage Directive
- 2004/108/EC - EMC Directive
- 2011/65/EU - RoHS Directive
- 2009/125/EC - ECODesign Directive
- 245/2009/EC + 347/2010/EU - ECODesign Directive
- 1194/2012/EU - ECODesign Regulation
- EN 60598-1:2008 +A11:2009 - Luminaires. General requirements and tests
- EN 62471:2008 - Photobiological safety of LED lamps and lamp systems
- EN 62493: 2010 - Assessment of lighting equipment related to human exposure to electromagnetic fields
- EN 60598-2-1 - Fixed general purpose luminaires
- EN 55015:2006 +A1:2007 +A2:2009 - Limits and methods of measurement of radio disturbance characteristics of electrical lighting and similar equipment
- EN 61000-3-2:2006 +A1,A2:2009 - Limits for harmonic current emissions (equipment input current ≤ 16 A per phase)
- EN 61000-3-3:2013 - Limitation of voltage changes, voltage fluctuations and flicker in public low-voltage supply systems, for equipment with rated current ≤ 16 A per phase and not subject to conditional connection
- EN 61547:2009 - EMC Immunity Requirements
- EN 50581:2012 - Technical documentation for the assessment of electrical and electronic products with respect to the restriction of hazardous substances