

Description

Non-directional, bell-shaped deep recessed luminaire with COB LED technology. IP55 certified for damp indoor areas. Suitable for wall and ceiling application.

Available in 2 different designs: with trim or trimless. The 4mm unit edge is hardly visible.

The luminaire consists of 4 main mechanical components: the bell-shaped body, a heatsink, a ledholder and a lens for optimum beam shape and excellent anti-glare performance.

No visible screws or wiring after installation.

The luminaire can be combined with various built-in accessories such as recessed rings and recessed boxes for use in plasterboard, concrete and brick walls or ceilings.

Materials

- Aluminium body finished in fine-textured scratch-resistant powder coating matt black or matt white. Also available in bronze, silver bronze, gold, champagne and matt black sanded anodization.
- Aluminium heatsink, bionic shaped for optimal heat dissipation
- Aspherical lens optic in glass (spot beam, 16° or medium beam, 28°)
- Stainless steel leaf springs
- Aluminium ledholder finished in scratch-resistant matt black wet paint

Technical characteristics

- Dimensions: 70 mm (ø) x 80 mm (H)
- Lens: spot (16°), medium (28°)
- COB high-power LED
- Colour temperature: 2700 K or 3000 K
- CRI 90+
- 2 SDCM
- Luminaire output: 665lm (for 3000 K medium in white paint @500mA)
- Luminaire efficiency: 64%
- Power consumption: 8.1W per LED module (@500 mA) driver excluded
- UGR 0
- For connection to an electronic constant current LED driver: choose from driver matrix for suitable dimensions, wattage and type of dimming
- Warranty period: 5 years on LED lamps, L80B20 @ 50.000 hours
- Class 3
- Use: indoor, IP55

Installation

Recessed mounting in ceiling or wall. Unit must not be covered with insulation.

Electrical connection: connection to LED driver via 2 leads (red and black, 300mm each) and two splicing connectors (included with product).

The way of installation depends on the type of luminaire and type of ceiling (with trim or trimless).

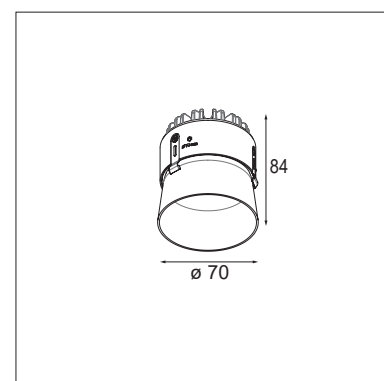
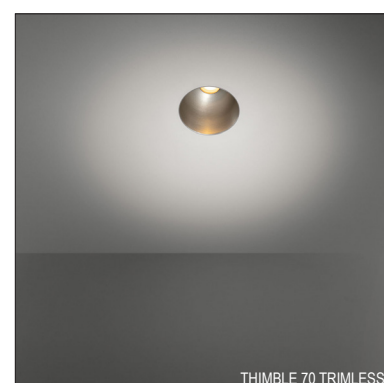
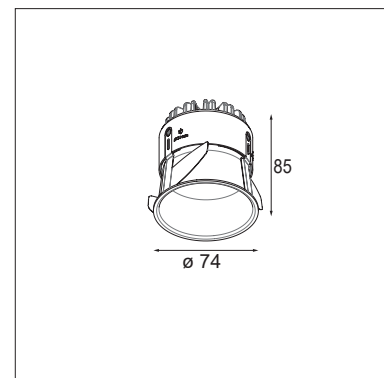
INSTALLATION OF VERSION WITH TRIM:

- In case of false ceiling (in wood, plasterboard, ...): recess hole dimension ø70mm, H60mm. Installation by means of 3 leaf springs that hold the luminaire in the recess hole. No extra installation accessories needed.
- In case of structural ceilings (concrete, brick, ...) that are plastered afterwards: installation by means of a galvanized steelplate concrete box that can be combined with an optional gypsum fibreboard cover plate. Concrete boxes are available in 1 lamp and 2 lamp version. Possible to include the LED driver in the conbox.
- In case of exposed concrete two options are available:
 1. A separate trimless ring to be used in combination with a standard plastic concrete box solution
 2. A trimless ring already mounted in a sheetmetal plate to be used in combination with an optional galvanized steelplate concrete box. Possible to include the LED driver in the concrete box.

INSTALLATION OF TRIMLESS VERSION:

Always to be combined with a trimless ring accessory in which the luminaire clicks by means of 3 leaf springs.

- In case of exposed concrete finish two options are available:
 1. A separate trimless ring to be used in combination with a standard plastic concrete box solution
 2. A trimless ring already mounted in a sheetmetal plate to be used in combination with an optional galvanized steelplate concrete box. Possible to include the LED driver in the concrete box.
- In case of structural ceilings (concrete, brick, ...) that are plastered afterwards: single lamps or double lamps trimless ring already mounted in a perforated sheetmetal plate to be used in combination with the optional galvanized steelplate concrete boxes. Possible to include the LED driver in the concrete box.



Accessories

- See above in the 'Installation' section

Standards and directives:

- 2006/95/EC - Low Voltage Directive
- 2004/108/EC - EMC Directive
- 2011/65/EU - RoHS Directive
- 2009/125/EC - ECODesign Directive
- 245/2009/EC + 347/2010/EU - ECODesign Directive
- 1194/2012/EU - ECODesign Regulation
- EN 60598-1:2008 +A11:2009 - Luminaires. General requirements and tests
- EN 62471:2008 - Photobiological safety of LED lamps and lamp systems
- EN 62493: 2010 - Assessment of lighting equipment related to human exposure to electromagnetic fields
- EN 60598-2-2:2012 - Recessed luminaires
- EN 55015:2006 +A1:2007 +A2:2009 - Limits and methods of measurement of radio disturbance characteristics of electrical lighting and similar equipment
- EN 61000-3-2:2006 +A1,A2:2009 - Limits for harmonic current emissions (equipment input current ≤ 16 A per phase)
- EN 61000-3-3:2013 - Limitation of voltage changes, voltage fluctuations and flicker in public low-voltage supply systems, for equipment with rated current ≤ 16 A per phase and not subject to conditional connection
- EN 61547:2009 - EMC Immunity Requirements
- EN 50581:2012 - Technical documentation for the assessment of electrical and electronic products with respect to the restriction of hazardous substances