

Description

Round shaped deep recessed luminaire with COB LED. IP55 rated, for use in wet locations. Suitable for wall and ceiling application.

Available in fix and adjustable version.

The luminaire consists of 3 main components: an outer ring, an inner body and a LED module. All 3 components click into each other. The inner body is available in 5 shapes, resulting in 5 different designs: straight, oblique, coned, pinhole and adjustable.

The LED module is fitted with a collimator TIR lens for optimal beam shape and optical efficiency.

Available in medium and flood beam shape.

No visible screws or wiring after installation.

The luminaire can be combined with various built-in accessories such as recessed rings and recessed boxes for use in plasterboard, concrete and brick walls or ceilings.

Also various optical accessories are available: honeycomb, snoot and cones.

Materials

- Aluminium outer ring and finished in fine-textured scratch-resistant powder coating matt black or matt white
- Leaf springs in stainless steel
- Polycarbonate inner body, finished in matt white and matt black wet paint
- TIR collimator in PMMA, 25° and 40° beam
- Frontring of the LED module: aluminium, finished in scratch-resistant powder coating matt black
- Aluminium heatsink, finished in black electroplating

Technical characteristics

- Dimensions: \varnothing 74 x 79 or 92 mm (H) (depending on the version)
- Lens: spot (15°), medium (25°) or flood (40°)
- COB high-power LED
- Colour temperature: 2700K, 3000K, 4000K or warmdim (1800-3000K) (other CCT's on request)
- CRI 90+
- 2 SDCM
- Luminaire output: 635 lm (for 3000 K medium in white paint @500mA, straight shape)
- Power consumption: 7.2W per LED module (@500 mA) driver excluded
- UGR 17.4
- For connection to an electronic constant current LED driver: choose from driver matrix for suitable dimensions, wattage and type of dimming
- Warranty period: 5 years on LED lamps, L80B20 @ 50.000 hours
- Class 3
- Use: indoor, wet locations, IP55
- Glow wire rating: 960°C

Installation

Electrical connection to LED driver by means of two leads (red and black, approx. 300mm each), and two 2-pole splicing connectors for wire sections from 0.2 to 4mm² - 24 to 12 AWG (included)

Recessed mounting in ceiling or wall.

The way of installation depends on the type of luminaire and type of ceiling (with trim or trimless).

TRIMMED INSTALLATION:

In case of false ceiling (in wood, plasterboard, ...): recess hole dimension \varnothing 68mm, H110mm.

Installation by means of 2 leaf springs that hold the luminaire in the recess hole. The luminaire must not be covered with insulation material.

In case of structural ceilings (concrete, brick, ...) that are plastered afterwards: installation by means of a galvanized steelplate or plastic concrete box that can be combined with an optional gypsum fibreboard cover plate. It is possible to include the LED driver in the conbox.

TRIMLESS INSTALLATION:

Always to be combined with a trimless ring accessory in which the luminaire clicks. The various trimless ring accessories are adjustable in height, depending on the thickness of plaster layer (if applicable).

In case of exposed concrete finish two options are available:

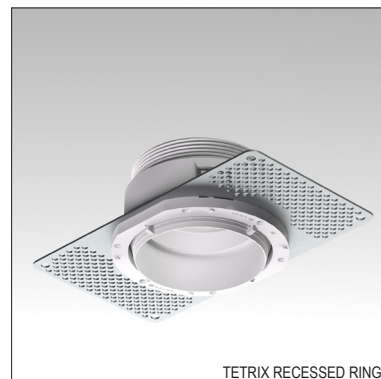
1. A separate trimless concrete ring to be used in combination with a standard plastic concrete box solution
 2. A trimless concrete ring already mounted in a sheetmetal plate to be used in combination with an optional galvanized steelplate concrete box. It is possible to include the LED driver in the concrete box.
- In case of structural ceilings (concrete, brick, ...) that are plastered afterwards: a trimless ring already mounted in a perforated sheetmetal plate to be used in combination with the optional galvanized steelplate concrete boxes. Possible to include the LED driver in the concrete box.



Accessories

Honeycomb, snoot and conical optical accessories available. These accessories click on the front of the luminaire and can be added afterwards if required.

Various installation accessories available as described above.



Standards and directives:

- 2006/95/EC - Low Voltage Directive
- 2004/108/EC - EMC Directive
- 2011/65/EU - RoHS Directive
- 2009/125/EC - ECODESIGN Directive
- 245/2009/EC + 347/2010/EU - ECODESIGN Directive
- 1194/2012/EU - ECODESIGN Regulation
- EN 60598-1:2008 +A11:2009 - Luminaires. General requirements and tests
- EN 62471:2008 - Photobiological safety of LED lamps and lamp systems
- EN 62493: 2010 - Assessment of lighting equipment related to human exposure to electromagnetic fields
- EN 60598-2-2:2012 - Recessed luminaires
- EN 55015:2006 +A1:2007 +A2:2009 - Limits and methods of measurement of radio disturbance characteristics of electrical lighting and similar equipment
- EN 61000-3-2:2006 +A1,A2:2009 - Limits for harmonic current emissions (equipment input current ≤ 16 A per phase)
- EN 61000-3-3:2013 - Limitation of voltage changes, voltage fluctuations and flicker in public low-voltage supply systems, for equipment with rated current ≤ 16 A per phase and not subject to conditional connection
- EN 61547:2009 - EMC Immunity Requirements
- EN 50581:2012 - Technical documentation for the assessment of electrical and electronic products with respect to the restriction of hazardous substances