

Description

Cylindrical surface or universal 3-phase track mounted LED luminaire consisting of two identical halves. The S-shaped split line between the two halves characterizes the sloping shape of the luminaire.

The lower part, incorporating the LED engine, rotates 75° in both directions towards the upper part. The luminaire doesn't contain an optical system. High-gloss aluminium reflectors are separately available in spot, medium and flood beam. Gold and champagne anodized reflectors are available in flood beam angle. Also one type of medium beam glass lens is available.

The upper compartment contains the built-in LED driver. The LED driver is available for following dimming standards: mains dimming (trailing edge), DALI, pushdim or 1-10V for the surface mounted version (not available in pushdim and 1-10V for the track mounted version)

The surface mounted fixture is installed on the ceiling by means of a steel ceiling plate. The luminaire holds onto the ceiling plate with magnets, which makes it possible to rotate the luminaire 360°.

The track mounted fixture is fitted with a 3-phase adapter.

No visible screws or wires.

Materials

- Aluminium LED and driver housing finished with a scratch resistant fine textured powder coating in white or matt black
- Ceiling plate: galvanized steel
- Adapter: universal 3-phase adapter 230V

Technical characteristics

- Dimensions: $\varnothing 61$ mm x 161 mm (\varnothing x H without adapter)
- Reflectors: spot (15°), medium (25°), flood (40°)
- Lens: medium (25°)
- COB high-power LED
- Colour temperature: 2700K, 3000K or warm dim (1800K-3000K)
- CRI 90+
- 2SDCM (for 2700K and 3000K), 3SDCM (for warmdim)
- Luminaire output: 703 lm (for 3000 K, medium reflector)
- Luminaire efficiency: 80%
- Power consumption: 11W
- Built-in LED driver, mains (trailing-edge) dimmable, DALI, pushdim or 1-10V
- Warranty period: 5 years on LED, 5 years on drivers, L80B20 @ 50.000 hours
- Power: 220-230 V, 50-60 Hz
- Class 1
- Only for indoor use, IP20

Installation

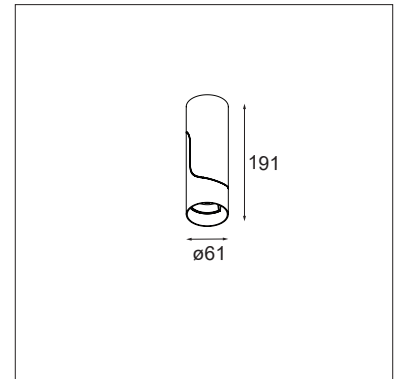
- Base mounted (galvanized steelplate) with two universal chipboard screws of max. \varnothing 4.5 mm (not included). Luminaire held onto the ceiling plate by means of two magnets
- Electrical connection to mains with three splicing connectors suitable for stranded and solid wires from 0.2mm² to 4mm² (24-12 AWG) (included in product)
- For track luminaire: for installation on 3-phase 230V track

Accessories

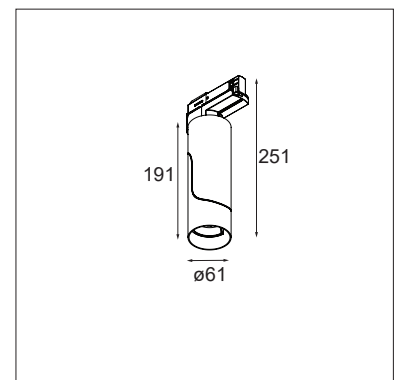
- Aluminium reflectors available in 3 different beam angles: spot (15°), medium (25°), flood (40°)
- Gold and champagne anodized reflectors available in one beam angle: flood (40°)
- Medium beam aspherical glass lens available (25°) (not compatible with warm dim LED technology)
- Snoot (only in combination with glass lens) for reduced glare and optimum eye comfort. Snoot finished in matt black spray paint



SEMIH 61



SEMIH 61 TRACK



Standards and directives:

- 2006/95/EC - Low Voltage Directive
- 2004/108/EC - EMC Directive
- 2011/65/EU - RoHS Directive
- 2009/125/EC - ECO design Directive
- 245/2009/EC + 347/2010/EU - ECO design Directive
- 1194/2012/EU - ECodesign Regulation
- EN 60598-1:2008 +A11:2009 - Luminaires. General requirements and tests
- EN 62471:2008 - Photobiological safety of LED lamps and lamp systems
- EN 62493: 2010 - Assessment of lighting equipment related to human exposure to electromagnetic fields
- EN 60598-2-1 - Fixed general purpose luminaires
- EN 55015:2006 +A1:2007 +A2:2009 - Limits and methods of measurement of radio disturbance characteristics of electrical lighting and similar equipment
- EN 61000-3-2:2006 +A1,A2:2009 - Limits for harmonic current emissions (equipment input current ≤ 16 A per phase)
- EN 61000-3-3:2013 - Limitation of voltage changes, voltage fluctuations and flicker in public low-voltage supply systems, for equipment with rated current ≤ 16 A per phase and not subject to conditional connection
- EN 61547:2009 - EMC Immunity Requirements
- EN 50581:2012 - Technical documentation for the assessment of electrical and electronic products with respect to the restriction of hazardous substances