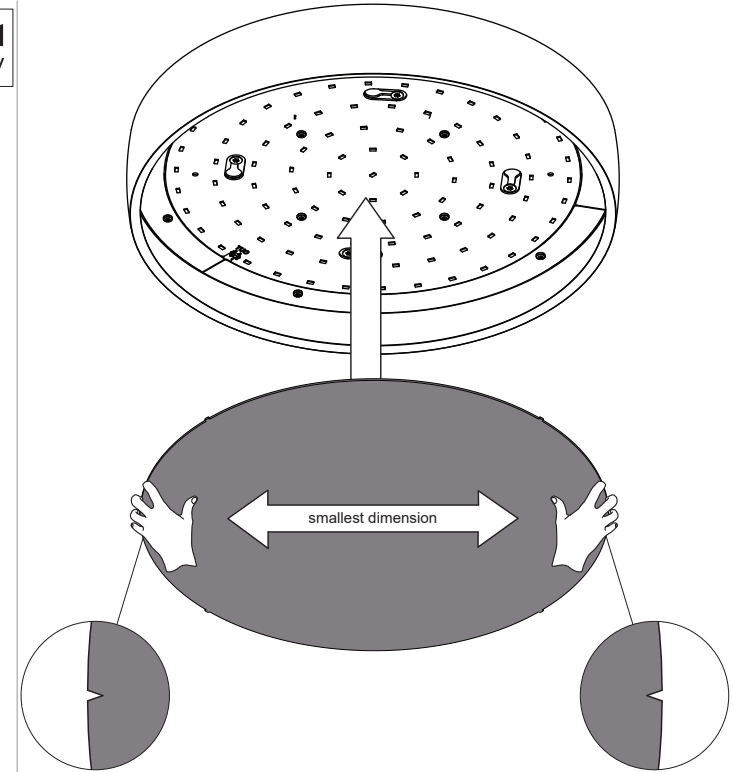
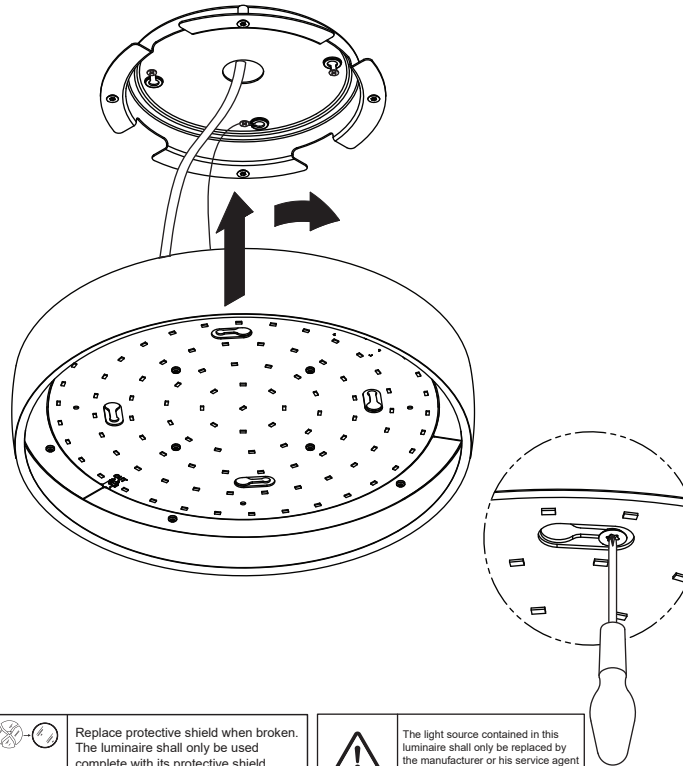
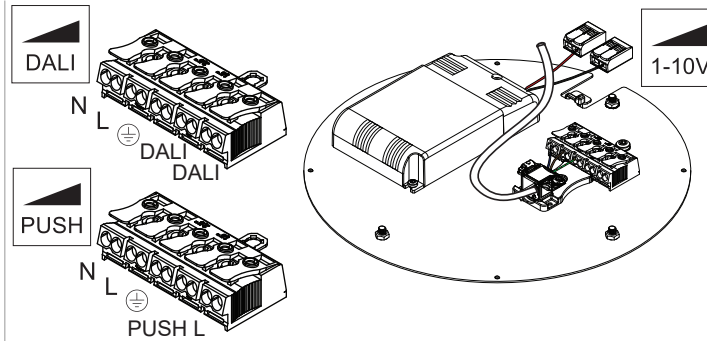
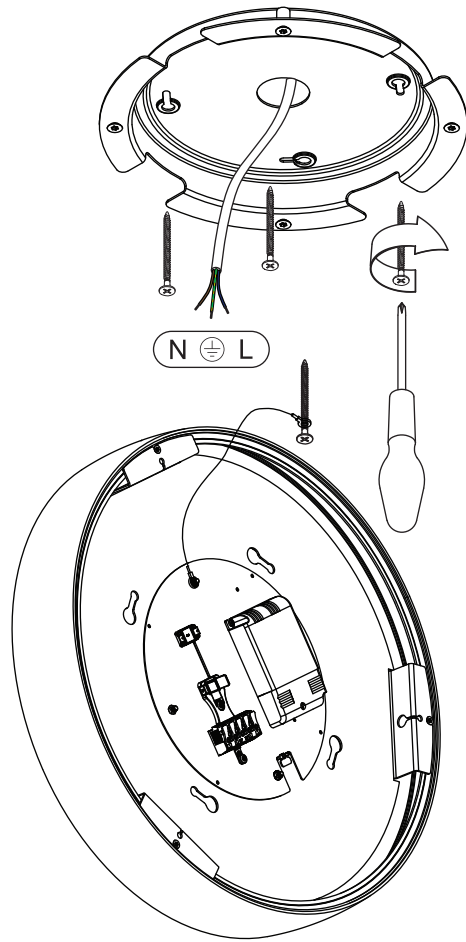


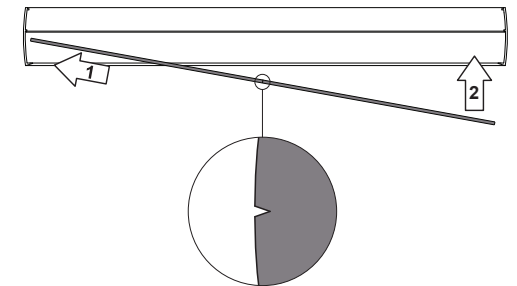
Flat moon surface 450 LED

132900XX_132901XX_132902XX_132903XX_132904XX_132905XX

Scan for installation video or go to supermodular.com/en/flat-moon/



Be careful not to damage the LEDs when inserting the diffuser.



Replace protective shield when broken. The luminaire shall only be used complete with its protective shield. Reference number: 1012134



The light source contained in this luminaire shall only be replaced by the manufacturer or his service agent or a similar qualified person

220-230V 50-60Hz		1-10V	PUSH	DALI		IP 20		NO UV / IR		CE
---------------------	--	-------	------	------	--	-------	--	------------	--	----