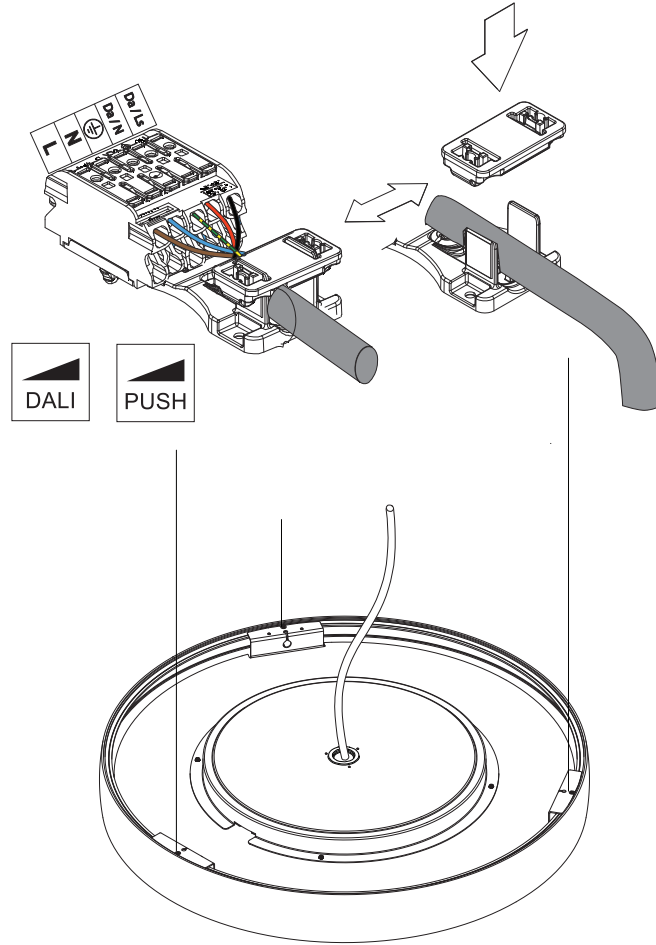
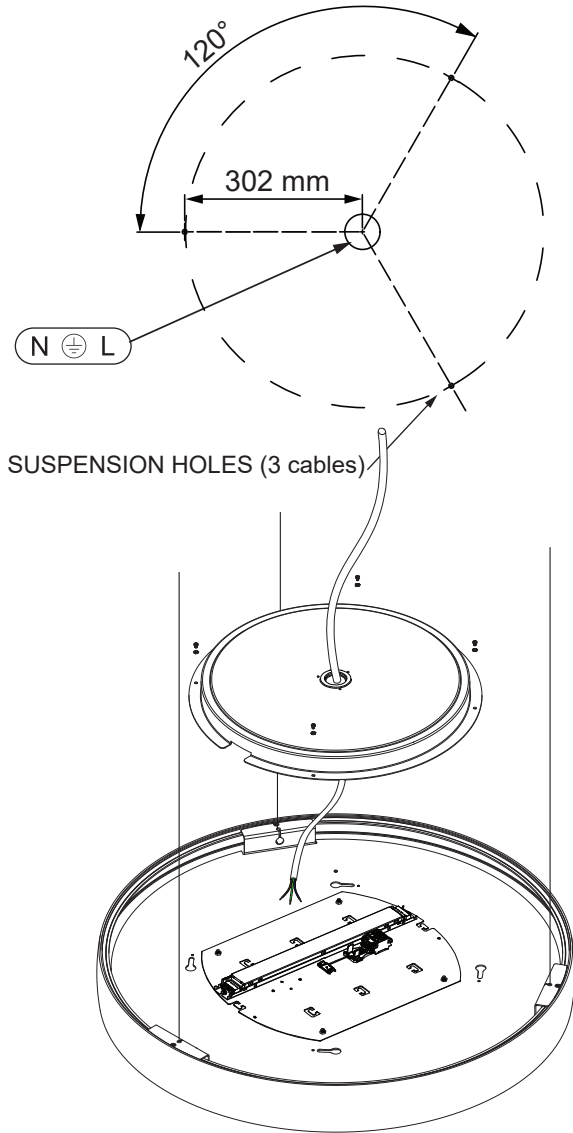


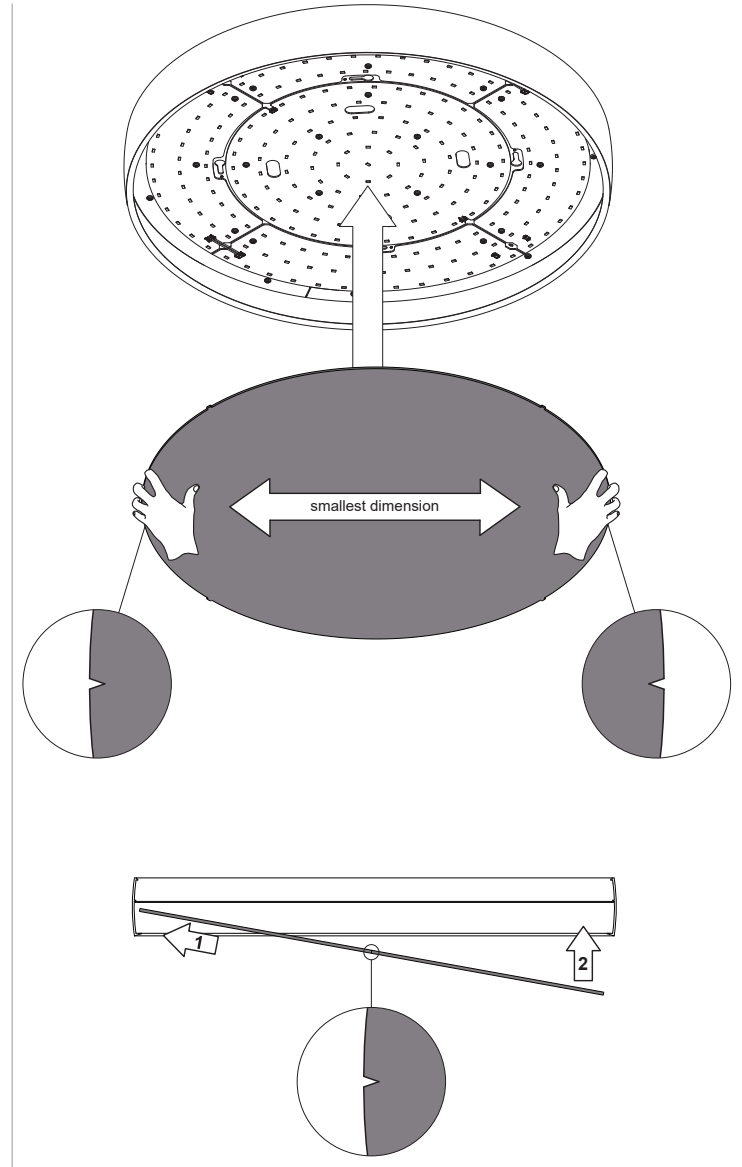
Flat moon 650 suspension down LED Dali / PD

133043XX_133044XX_133045XX

Scan for installation video or go to supermodular.com/en/flat-moon/



	If the external flexible cable or cord of this luminaire is damaged, it shall be exclusively replaced by the manufacturer or his service agent or a similar qualified person in order to avoid hazard
	Replace protective shield when broken. The luminaire shall only be used complete with its protective shield. Reference number: 1012135
	The light source contained in this luminaire shall only be replaced by the manufacturer or his service agent or a similar qualified person



220-230V 50-60Hz					IP 20	NO UV / IR		
---------------------	--	--	--	--	-------	------------	--	--