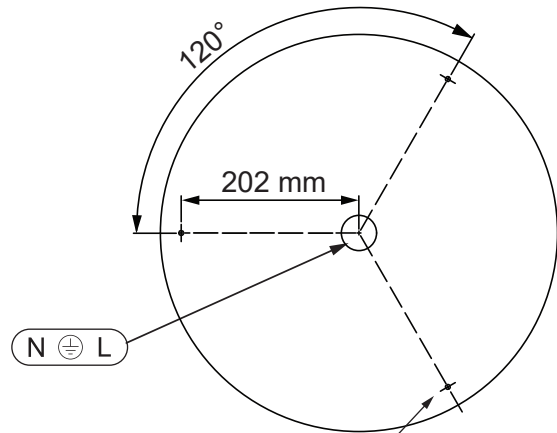


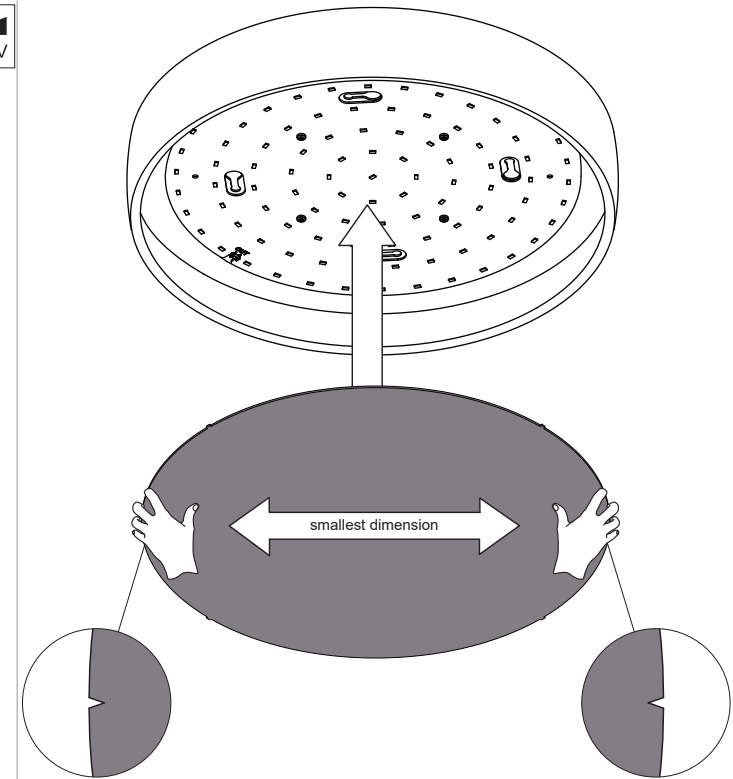
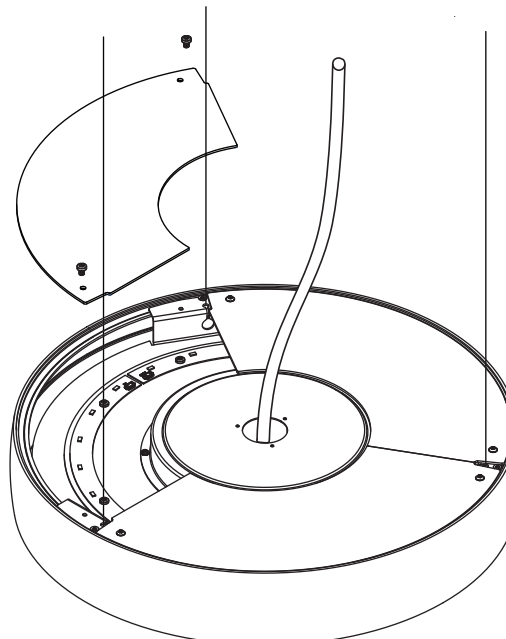
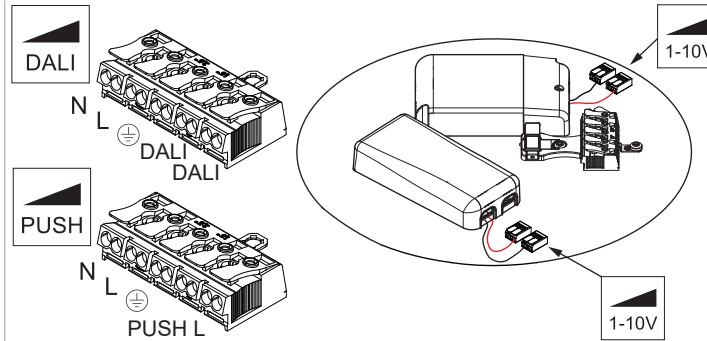
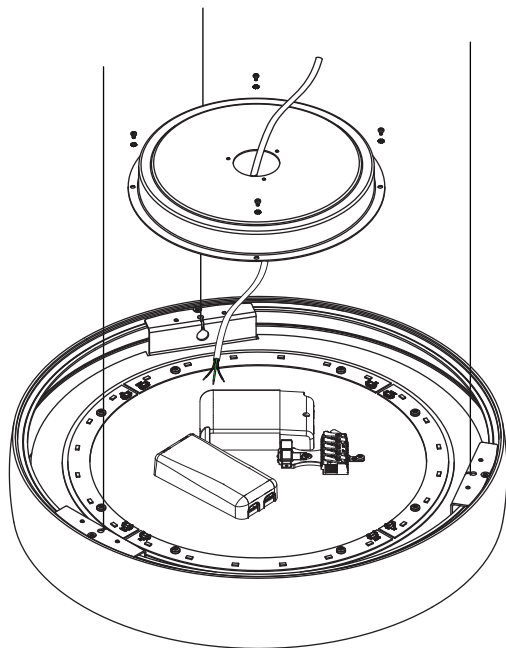
# Flat moon suspension 450 up down LED

133006XX\_133007XX\_133008XX\_133009XX\_133010XX\_133011XX

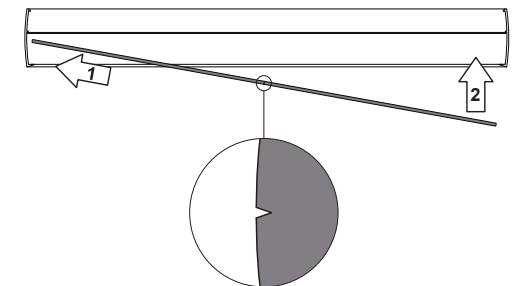
Scan for installation video or go to [supermodular.com/en/flat-moon/](http://supermodular.com/en/flat-moon/)



SUSPENSION HOLES (3 cables)



Be careful not to damage the LEDs when inserting the diffuser.



Replace protective shield when broken. The luminaire shall only be used complete with its protective shield. Reference number: down = 1012134 / up = 1012247



The light source contained in this luminaire shall only be replaced by the manufacturer or his service agent or a similar qualified person

220-230V 50-60Hz		1-10V	PUSH	DALI	↑	IP 20		NO UV / IR		CE
---------------------	--	-------	------	------	---	-------	--	------------	--	----