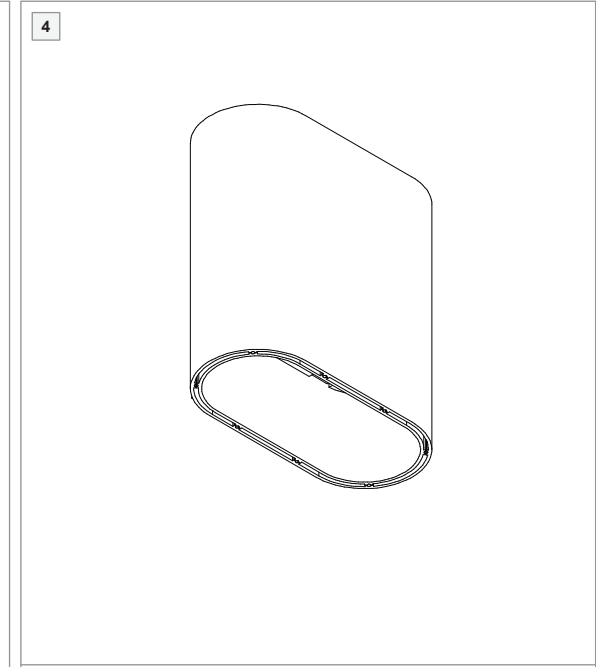
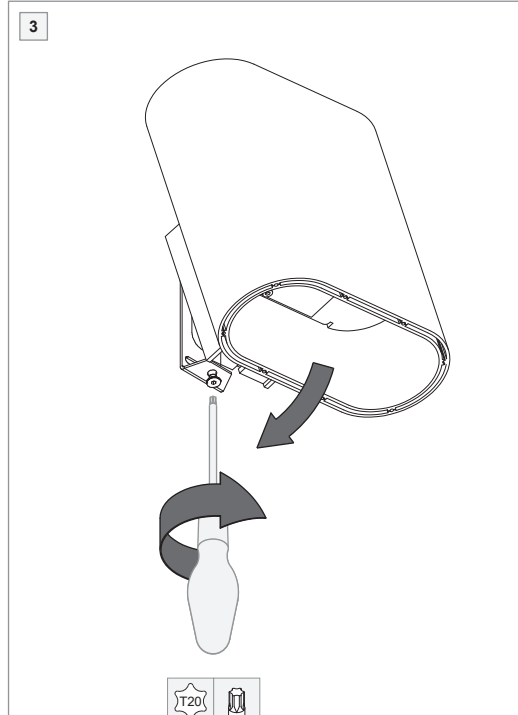
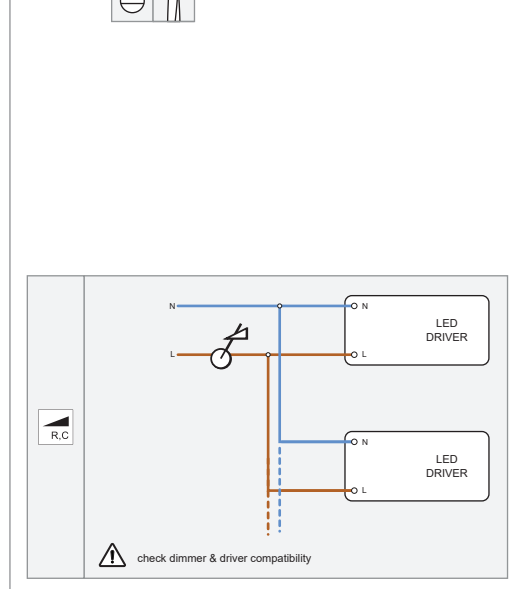
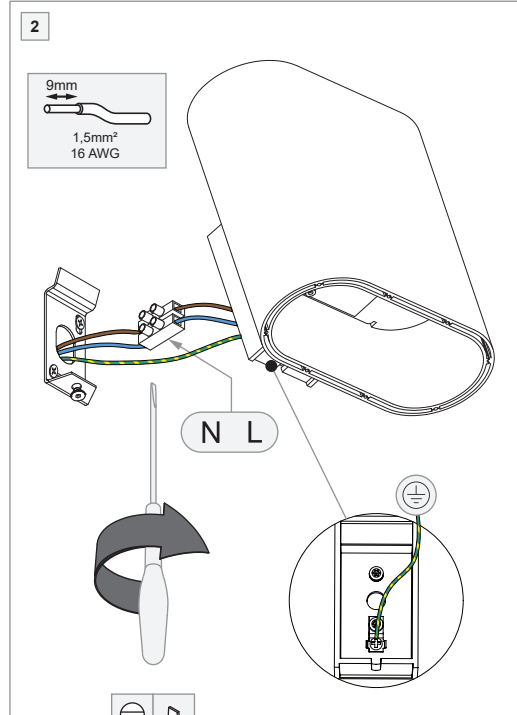
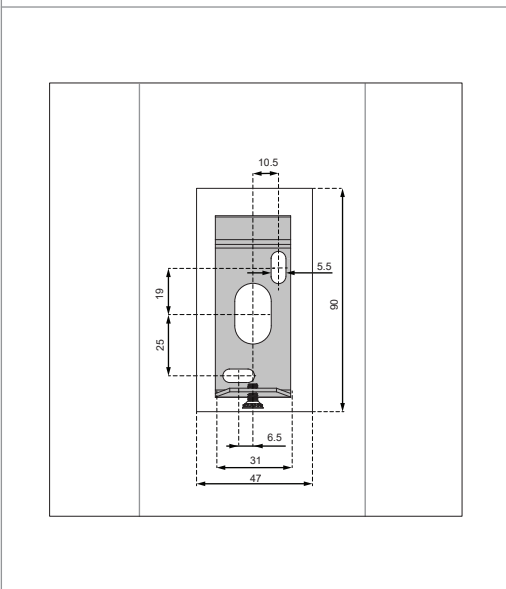
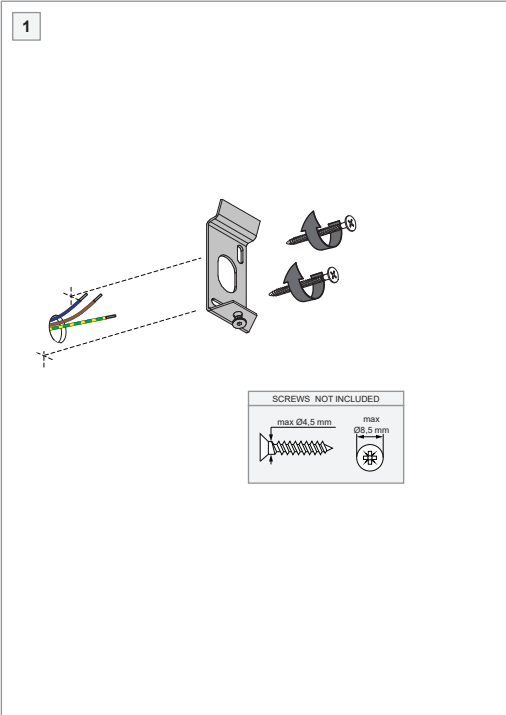
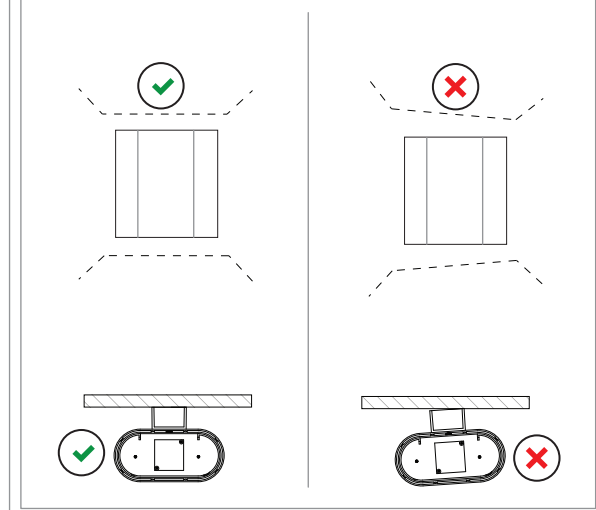


Duell wall LED 900lm 2700K Tre dim GI

110749XX



INSTALLATION REMARK - PROJECTED LIGHT



Replace protective shield when broken. The luminaire shall only be used complete with its protective shield.
Reference number: 1008437