

# MARBUL SUSPENSION ADJUSTABLE GE/GI

## Description

Surface mounted aluminium LED armature consisting of a dome-shaped lamp unit, available with or without integrated LED driver and equipped with a ceiling base to suspend the 2 meter black feedcord. Possible to adjust the dome-shaped lamp unit: horizontally 360°, vertically +45° / -45°. No visible screws after installation.

## Materials

- Aluminium dome-shaped lamp units finished with a scratch resistant fine textured powder coating in matt white, matt black or donkey grey
- Aluminium dome back cover finished with a scratch resistant fine textured powder coating in matt white, matt black or donkey grey
- LED holder plate: black anodised aluminium
- Reflector: high-gloss aluminium and anodized gold or champagne; available separately
- Ceiling housing finished with a scratch resistant fine textured powder coating in matt white, matt black or donkey grey (driver included version only)
- Ceiling plate: galvanised steelplate (driver included version only)
- Driver plate: galvanised steelplate (driver included version only)
- Ceiling plate: black polycarbonate (driver excluded version only)
- Ceiling cover plate: aluminium finished with a scratch resistant fine textured powder coating in matt white, matt black or donkey grey (driver excluded version only)
- Matt black PVC feedcord, outer diameter 3.5mm

## Technical characteristics

- Dimensions driver excluded version:  
lampunit:  $\varnothing 109\text{mm}$ , H 88mm – ceiling plate:  $\varnothing 89\text{mm}$ , H 3.5mm
- Dimensions driver included version:  
lampunit:  $\varnothing 109\text{mm}$ , H 88mm – ceiling housing:  $\varnothing 60\text{mm}$ , 190mm
- Reflectors:
  - superspot (10° alu-champagne-gold)
  - medium (25° alu-champagne-gold)
  - flood (40° alu-champagne-gold)
- Reflectors - warm dim:
  - medium (25° alu)
  - flood (40° alu-champagne-gold)
- COB high-power LED
- Colour temperature: 2700K or 3000K (3500K and 4000K available on request), also available with warm dim technology
- CRI 90+
- 3SDCM
- Luminaire output: 700 lm (for 3000K, medium)
- Luminaire efficiency: 95%
- Power consumption: 9.3 W per LED unit
- UGR < 19
- Control options with electronic LED drivers: phase-cut trailing edge dimmable/1-10V/Dali/Pushdim
- Warranty period: 5 years on LED lamps, 2 years on drivers
- Power: 220-230 V, 50-60 Hz (for driver included version), choose suitable constant current LED driver (for driver excluded version)
- Class 1 (driver included version), Class 3 (driver excluded version)
- Only for indoor use

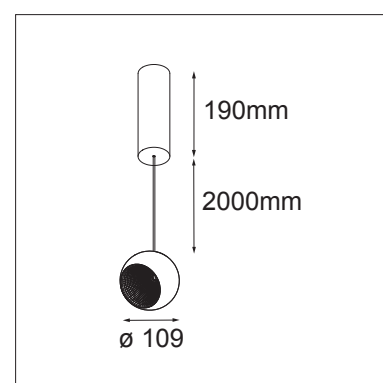
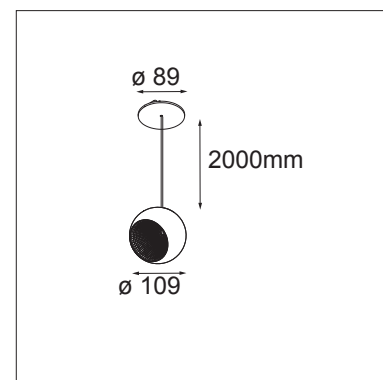
## Installation

### Driver excluded version:

- Drill a recess hole of  $\varnothing 54\text{mm}$  in the ceiling
- Cut the feedcord to the appropriate length. Connection to suitable LED driver via two splicing connectors (included with product)
- Mount the polycarbonate ceiling base with maximum 4 chipboard screws of max.  $\varnothing 4,5\text{mm}$  (not included)
- Click the aluminium finishing cover on the polycarbonate ceiling base

### Driver included version:

- Mount the ceiling bracket to the ceiling with 3 chipboard screws of max.  $\varnothing 4.5\text{mm}$  (not included)
- Electrical connection to the mains by means of three 3-pole splicing connectors (included with product)
- Slide the aluminium ceiling housing on the springs of the bracket



## Accessories

- Reflectors available depending the LED source:
  - **for 2700K and 3000K LED:**  
Magnetic reflectors in high-gloss aluminium, gold and champagne anodized aluminium available in following beam angles:
    - superspot (10°)
    - medium (25°)
    - flood (40°)
  - **for warmdim LED:**  
Magnetic reflectors in high-gloss aluminium available in following beam angles:
    - medium (25°)
    - flood (40°)Magnetic reflectors in gold and champagne anodized aluminium only available in flood (40°) beam angle

## Standards and directives:

- 2006/95/EC - Low Voltage Directive
- 2004/108/EC - EMC Directive
- 2011/65/EU - RoHS Directive
- 2009/125/EC - Ecodesign Directive
- 245/2009/EC + 347/2010/EU - Ecodesign Directive
- 1194/2012/EU - Ecodesign Regulation
- EN 60598-1:2008 +A11:2009 - Luminaires. General requirements and tests
- EN 62471:2008 - Photobiological safety of LED lamps and lamp systems
- EN 62493: 2010 - Assessment of lighting equipment related to human exposure to electromagnetic fields
- EN 60598-2-1 - Fixed general purpose luminaires
- EN 55015:2006 +A1:2007 +A2:2009 - Limits and methods of measurement of radio disturbance characteristics of electrical lighting and similar equipment
- EN 61000-3-2:2006 +A1,A2:2009 - Limits for harmonic current emissions (equipment input current ≤ 16 A per phase)
- EN 61000-3-3:2013 - Limitation of voltage changes, voltage fluctuations and flicker in public low-voltage supply systems, for equipment with rated current ≤ 16 A per phase and not subject to conditional connection
- EN 61547:2009 - EMC Immunity Requirements
- EN 50581:2012 - Technical documentation for the assessment of electrical and electronic products with respect to the restriction of hazardous substances