

### Description

Directional, round recessed luminaire with LED technology. The front is fitted with a transparent glass.

### Materials

- Aluminium front ring finished in fine-textured scratch-resistant powder coating in matt white or donkey grey
- Aluminium heatsink
- High-gloss aluminium reflectors
- Stainless steel leaf springs
- Safety glass

### Technical characteristics

- Dimensions: 72 mm (ø) x 47 mm (H)
- Reflectors: spot (15°), medium (25°), flood (40°)
- COB high-power LED
- Colour temperature: 2700K, 3000K or 4000K (3500K available on request)
- CRI 90+
- 3 SDCM
- Luminaire output: 813 lm (for 3000K medium)
- Luminaire efficiency: 85%
- Power consumption: 9.2 W per LED unit
- UGR 22
- Powered by electronic LED drivers: choose from driver matrix
- Warranty period: 5 years on LED lamps, 2 years on drivers
- Connection: 220-230 V, 50-60 Hz (for version with driver)
- Class 1 (version with driver ), Class 3 (version without driver)
- Use: indoor

### Installation

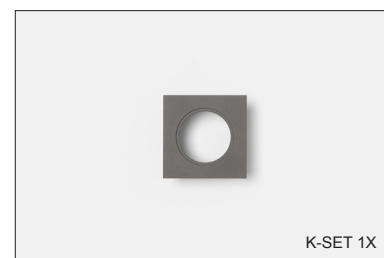
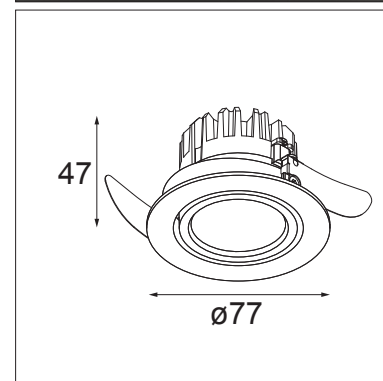
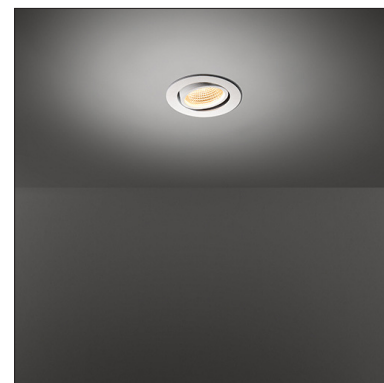
- Recessed mounting in ceiling or wall. Recess dimensions: ø65 mm, H 60 mm. Fixation by means of leaf springs. Unit must not be covered with insulation.
- Electrical connection: connection to LED driver via two spring clips (included with product)

### Accessories

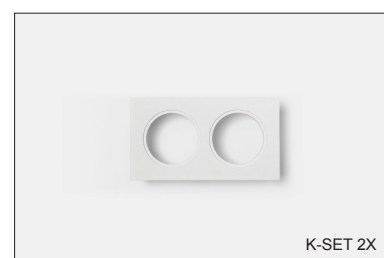
- Square frames for inserting luminaire in 4 dimensions: 1 lamps: 106x106mm; height 53mm, 2 lamps linear: 190x106mm; height 53mm, 3 lamps linear: 274x106mm; height 53mm, 4 lamps square: 190x190mm, height 53mm
- All finished in fine-textured scratch-resistant powder coating in matt white or donkey grey. Frame fitted with torsion springs for easy installation

### Standards and directives:

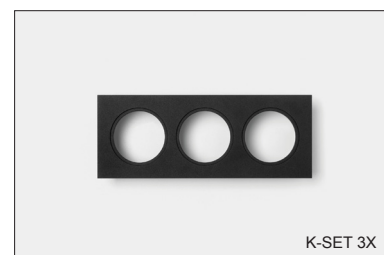
- 2006/95/EC - Low Voltage Directive
- 2004/108/EC - EMC Directive
- 2011/65/EU - RoHS Directive
- 2009/125/EC - ECODesign Directive
- 245/2009/EC + 347/2010/EU - ECODesign Directive
- 1194/2012/EU - ECODesign Regulation
- EN 60598-1:2008 +A11:2009 - Luminaires. General requirements and tests
- EN 62471:2008 - Photobiological safety of LED lamps and lamp systems
- EN 62493: 2010 - Assessment of lighting equipment related to human exposure to electromagnetic fields
- EN 60598-2-2:2012 - Recessed luminaires
- EN 55015:2006 +A1:2007 +A2:2009 - Limits and methods of measurement of radio disturbance characteristics of electrical lighting and similar equipment
- EN 61000-3-2:2006 +A1,A2:2009 - Limits for harmonic current emissions (equipment input current ≤ 16 A per phase)
- EN 61000-3-3:2013 - Limitation of voltage changes, voltage fluctuations and flicker in public low-voltage supply systems, for equipment with rated current ≤ 16 A per phase and not subject to conditional connection
- EN 61547:2009 - EMC Immunity Requirements
- EN 50581:2012 - Technical documentation for the assessment of electrical and electronic products with respect to the restriction of hazardous substances



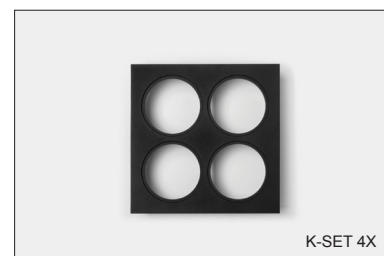
K-SET 1X



K-SET 2X



K-SET 3X



K-SET 4X