

Description

Directional (0-90° vertical, 360° horizontal) dome-shaped deep recessed luminaire with COB LED. IP20 rated, only for dry indoor locations. Suitable for wall and ceiling application.

Available in 2 different designs: with trim (9mm wide) or trimless.

The luminaire consists of 8 main mechanical components: the dome-shaped body, a tube, a frontring, a glass lens, a lensholder, a ledholder, a pivoting arm and in internal reflector.

The tube contains the LED lightsource and is connected to the dome-shaped body via the pivoting arm, resulting in a smooth rotation system allowing to point the powerful LED source to any object or surface.

The backside of the tube is open and allowing light to escape that is reflected off the inner curve of the dome-shaped body. This results in a glowing light effect in the dome-shaped body.

No visible screws or wiring after installation.

The luminaire can be combined with various built-in accessories such as recessed rings and recessed boxes for use in plasterboard, concrete and brick walls or ceilings.

Materials

- Aluminium body and tube finished in fine-textured scratch-resistant powder coating matt black or matt white. Also available in gold wet-paint finish.
- Aluminium frontring finished scratch-resistant powder coating matt black.
- Aspherical lens optic in glass (medium beam, 30°)
- Polycarbonate LED holder, lensholder and internal reflector
- Stainless steel leaf springs.
- Brass pivoting arm finished in fine-textured scratch-resistant powder coating matt black or matt white.

Technical characteristics

- Dimensions: \varnothing 115 mm (trimless) or \varnothing 125mm (with trim); x 100 mm (H)
- Lens: medium (30°)
- COB high-power LED
- Colour temperature: 2700K or 3000K
- CRI 90+
- 2 SDCM
- Luminaire output: 476 lm (for 3000 K medium in white paint @500mA)
- Luminaire efficiency: 48%
- Power consumption: 8.5W per LED module (@500 mA) driver excluded
- UGR 14
- For connection to an electronic constant current LED driver: choose from driver matrix for suitable dimensions, wattage and type of dimming
- Warranty period: 5 years on LED lamps, L80B20 @ 50.000 hours
- Class 3
- Use: indoor, IP20
- Glow wire rating: 960°C

Installation

Version with trim:

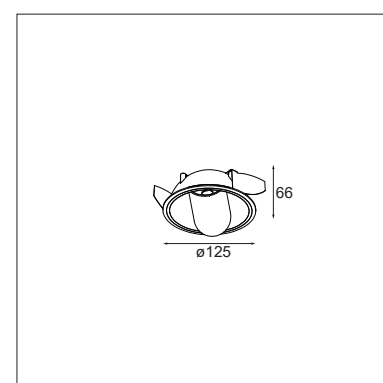
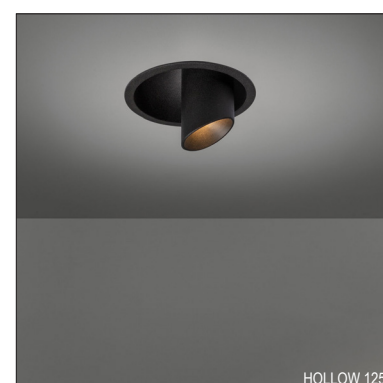
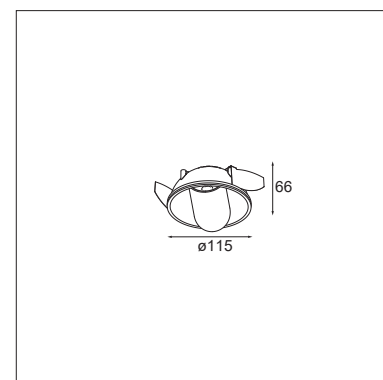
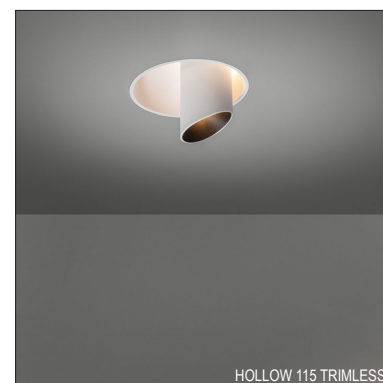
- Recessed mounting in ceiling or wall by means of 2 stainless steel leaf springs, recess diameter 115mm, height 70mm. Unit must not be covered with insulation.
- Electrical connection: connection to LED driver via 2 leads (red and black, 300mm each) and two splicing connectors (included with product).

Trimless version:

- This version requires the installation of a recessed ring first. (recess diameter 146mm, height 70mm). After installing and finishing the trimless ring with plaster, the trimless luminaire can be installed in the ring with 2 stainless steel leaf springs. Unit must not be covered with insulation.
- Electrical connection: connection to LED driver via 2 leads (red and black, 300mm each) and two splicing connectors (included with product).

Accessories

- Galvanised steelplate housing for installation in concrete
- Gypsum fibreboard plate that fits on the galvanized steelplate housing. To be used for concrete ceilings that need plaster finish
- Trimless ring for seamless installation in plastered ceilings/walls.



Standards and directives:

- 2006/95/EC - Low Voltage Directive
- 2004/108/EC - EMC Directive
- 2011/65/EU - RoHS Directive
- 2009/125/EC - ECODesign Directive
- 245/2009/EC + 347/2010/EU - ECODesign Directive
- 1194/2012/EU - ECODesign Regulation
- EN 60598-1:2008 +A11:2009 - Luminaires. General requirements and tests
- EN 62471:2008 - Photobiological safety of LED lamps and lamp systems
- EN 62493: 2010 - Assessment of lighting equipment related to human exposure to electromagnetic fields
- EN 60598-2-2:2012 - Recessed luminaires
- EN 55015:2006 +A1:2007 +A2:2009 - Limits and methods of measurement of radio disturbance characteristics of electrical lighting and similar equipment
- EN 61000-3-2:2006 +A1,A2:2009 - Limits for harmonic current emissions (equipment input current ≤ 16 A per phase)
- EN 61000-3-3:2013 - Limitation of voltage changes, voltage fluctuations and flicker in public low-voltage supply systems, for equipment with rated current ≤ 16 A per phase and not subject to conditional connection
- EN 61547:2009 - EMC Immunity Requirements
- EN 50581:2012 - Technical documentation for the assessment of electrical and electronic products with respect to the restriction of hazardous substances