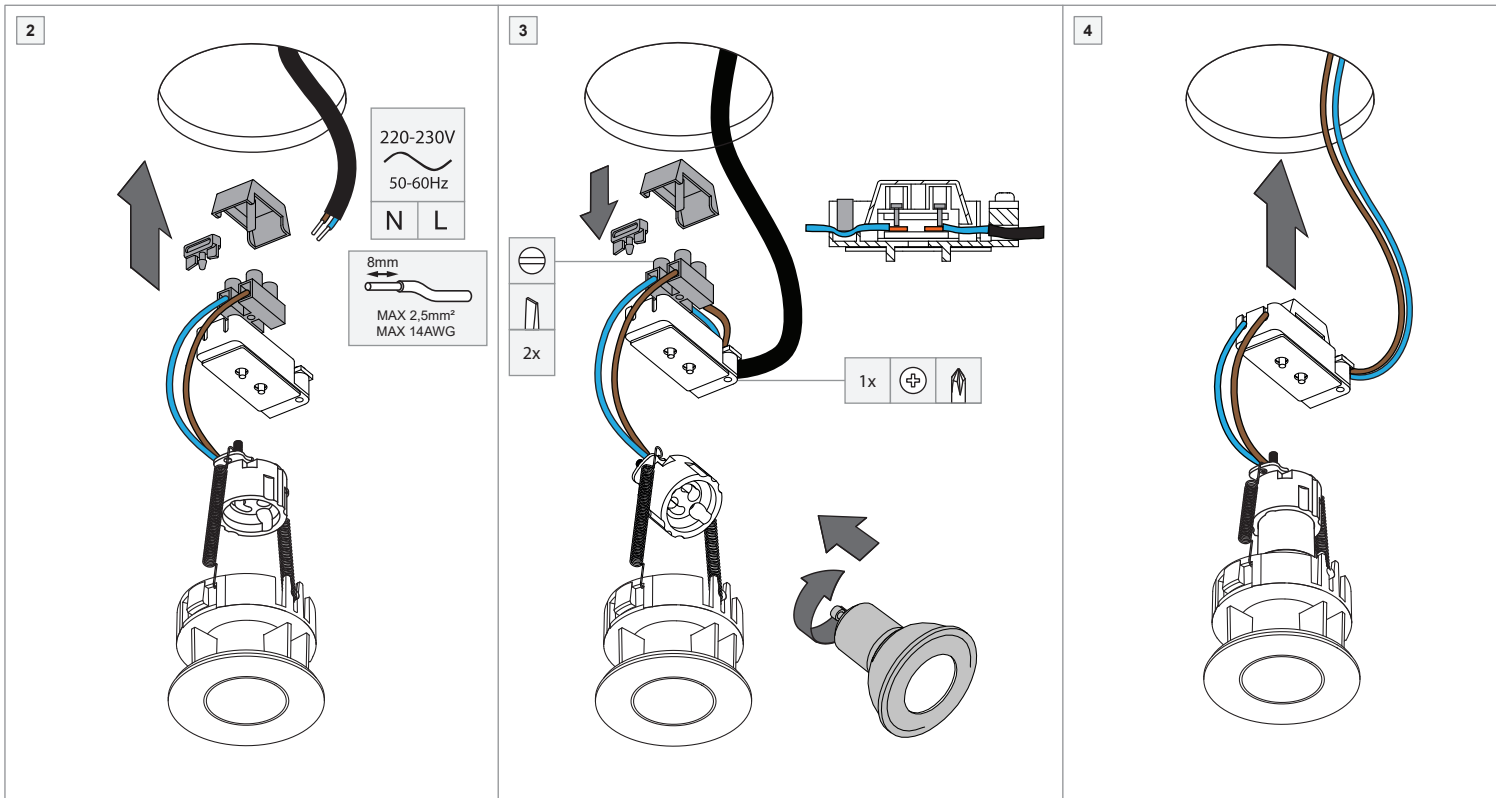


# TETRIX Pinhole 62 GU10 for LED

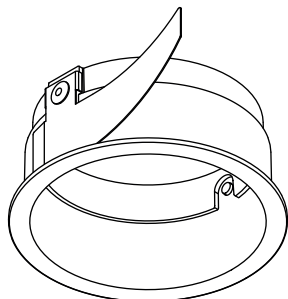
135165XX\_135166XX\_135167XX

- 1a Click Tetricx Pinhole 62 in the frame before connecting the wiring
- 1b Install the Trimless Ring before connecting the wiring

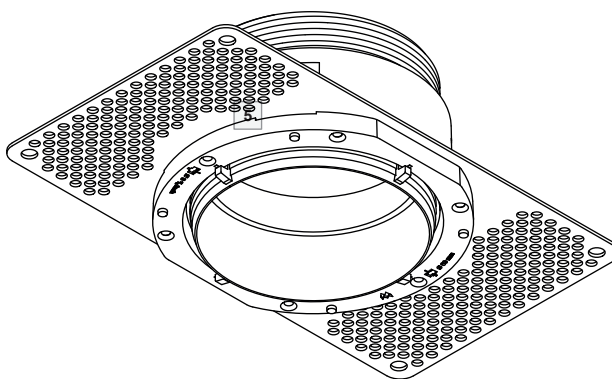


## SHOULD BE USED WITH

**TETRIX frame round 74**  
135100XX



**TRIMLESS RING Ø62**  
13515430



## TO BE COMBINED WITH

GU10 LED lamp

For recycling: Remove the lamp before disposal of the luminaire.

