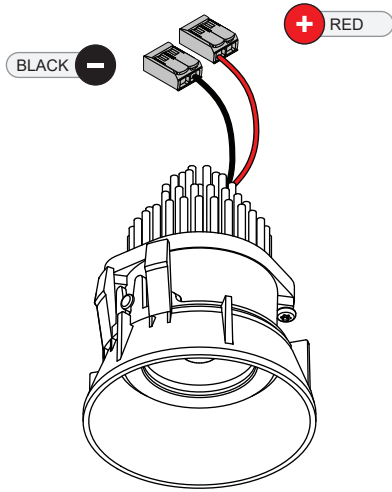


TETRIX Adjustable 62 LED GE

135140XX_135141XX_135142XX_135143XX_135144XX_135145XX
 135170XX_135171XX_135172XX_135173XX_135174XX_135175XX

TETRIX Adjustable 62

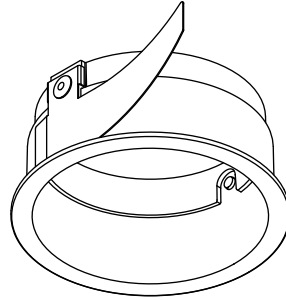


ELECTRICAL SPECS LED-FIXTURE

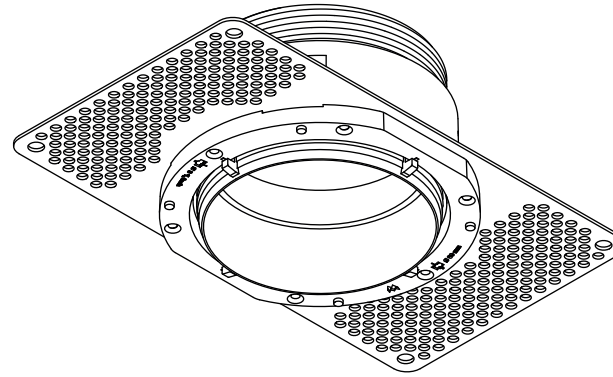
| Drive Current (mA) | Forward Voltage | | Power (W) |
|---|-----------------|----------|-----------|
| | min (Vf) | max (Vf) | |
| 350 | 13,2 | 15,0 | 5,0 |
| 500 | 13,7 | 15,4 | 7,2 |
| ⊕ RED | | ⊖ BLACK | |
| For serial connection, respect polarity! Not suited for connection to mains voltage. Combine with a Modular LED-driver. | | | |

SHOULD BE USED WITH

TETRIX frame round 74
135100XX



TRIMLESS RING Ø62
13515430

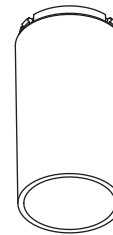


OPTICAL ACCESSORIES

HONEYCOMB Ø33
13515132



SNOOT Ø32
135150XX



LIGHT SOURCE - DO NOT TOUCH LED

Touching the LED can result in permanent damage of the light source. The light source contained in this luminaire shall only be replaced by the manufacturer or his service agent or a similar qualified person.



PREVENTING ELECTROSTATIC DAMAGE

A discharge of static electricity may damage sensitive components. Always be properly grounded when touching leads or circuitry inside the luminaire. Use a wrist strap connected by a ground cord to the housing. Avoid touching the light sources with bare hands.

DRIVERS & ACCESSORIES

For latest version of driver matrix and available accessories check www.supermodular.com or connect with your sales contact.