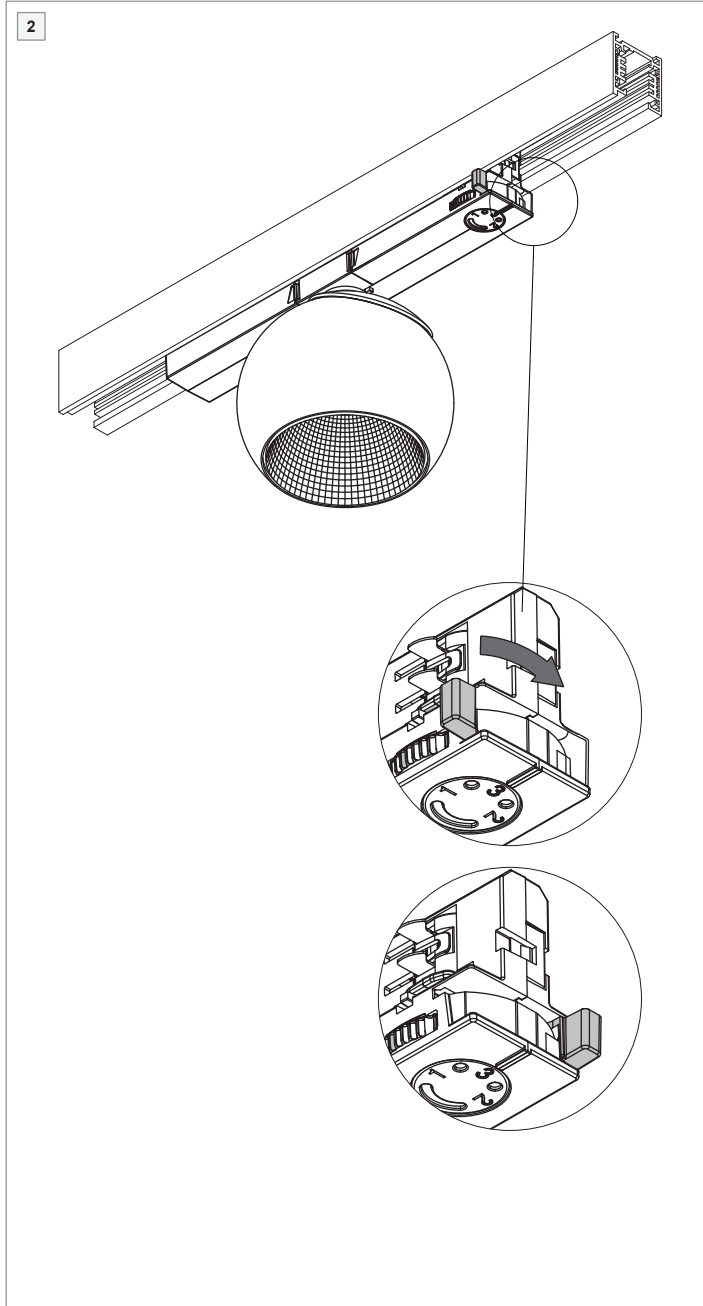
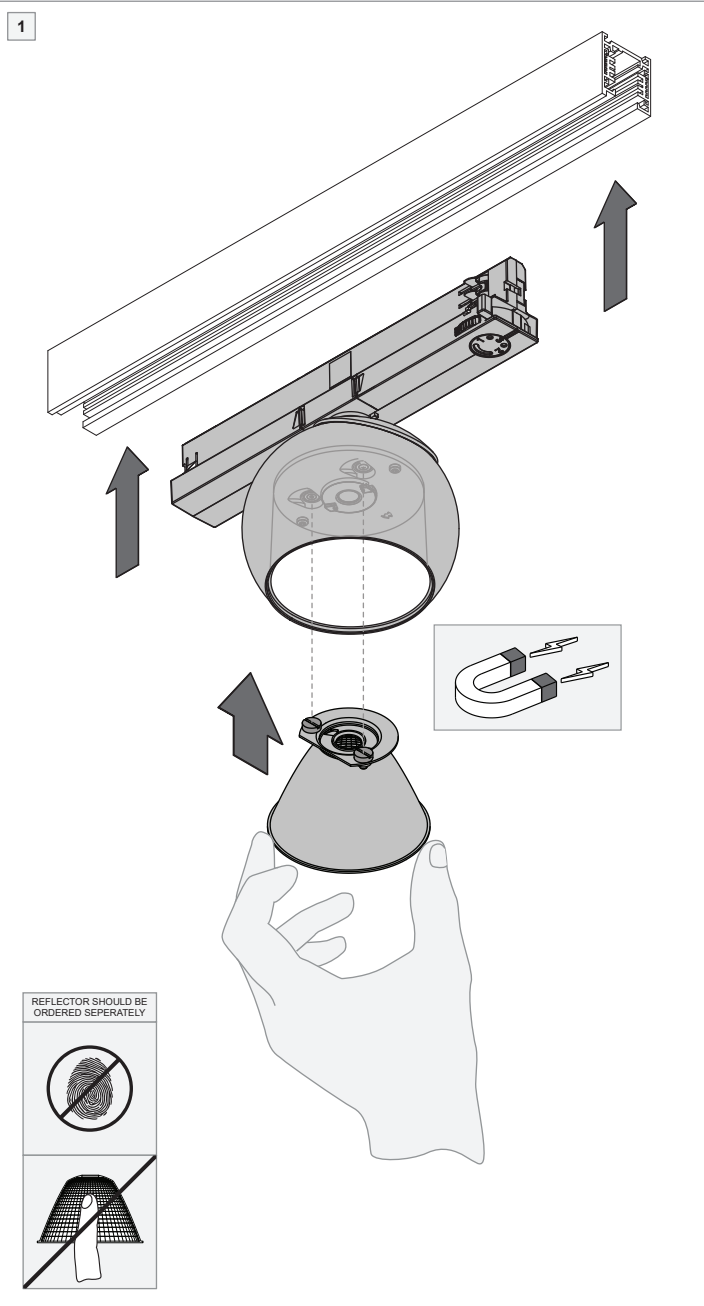


# Marbul track LED Casambi GI

135006XX\_135007XX\_135008XX



3

CHOOSE PHASE

MAX 64 FIXTURES ON MCB 16A TYPE B/C

**CASAMBI**  
www.casambi.com

Connect fixture to a Casambi network by using the Casambi App which can be downloaded from iOS App Store or Google Play Store.

max 7 m

Surrounding materials, obstructions (walls, concrete, metal,...) and other wireless signals can have a negative influence on the casambi wireless signal range. Always check on site circumstances for optimal signal quality.

**COMBINE WITH MODULAR 230V TRACK COMPONENTS**

Consult Modular Lighting Instruments website or catalogue for overview track components. Fixture is also compatible with following track systems

Eutrac iGuzzini Ivela Lumisys Unipro Lumisys Unipro	25-XX-XX / 26-XX-XX 6771-6774 6779-6782 7501 / 7511 / 7512 T32 / T33 /34 T32F / T33F /34F	Nordic Aluminium Nordic Aluminium Zumtobel Erco Side Philips	Global Trac Pro XTS 4xxx Global Trac Pro XTSF 4xxx S280... 783... 25101 RCS350 3C	Fosnova Stucchi Powergear Unipro Unipro	OMNITRACK ONETRACK PRO-0610 T32W T32FW
---	--	---	--	---	--

**LIGHT SOURCE - DO NOT TOUCH LED**

Touching the LED can result in permanent damage of the light source. The light source contained in this luminaire shall only be replaced by the manufacturer or his service agent or a similar qualified person.

**PREVENTING ELECTROSTATIC DAMAGE**

A discharge of static electricity may damage sensitive components. Always be properly grounded when touching leads or circuitry inside the luminaire. Use a wrist strap connected by a ground cord to the housing. Avoid touching the light sources with bare hands.

